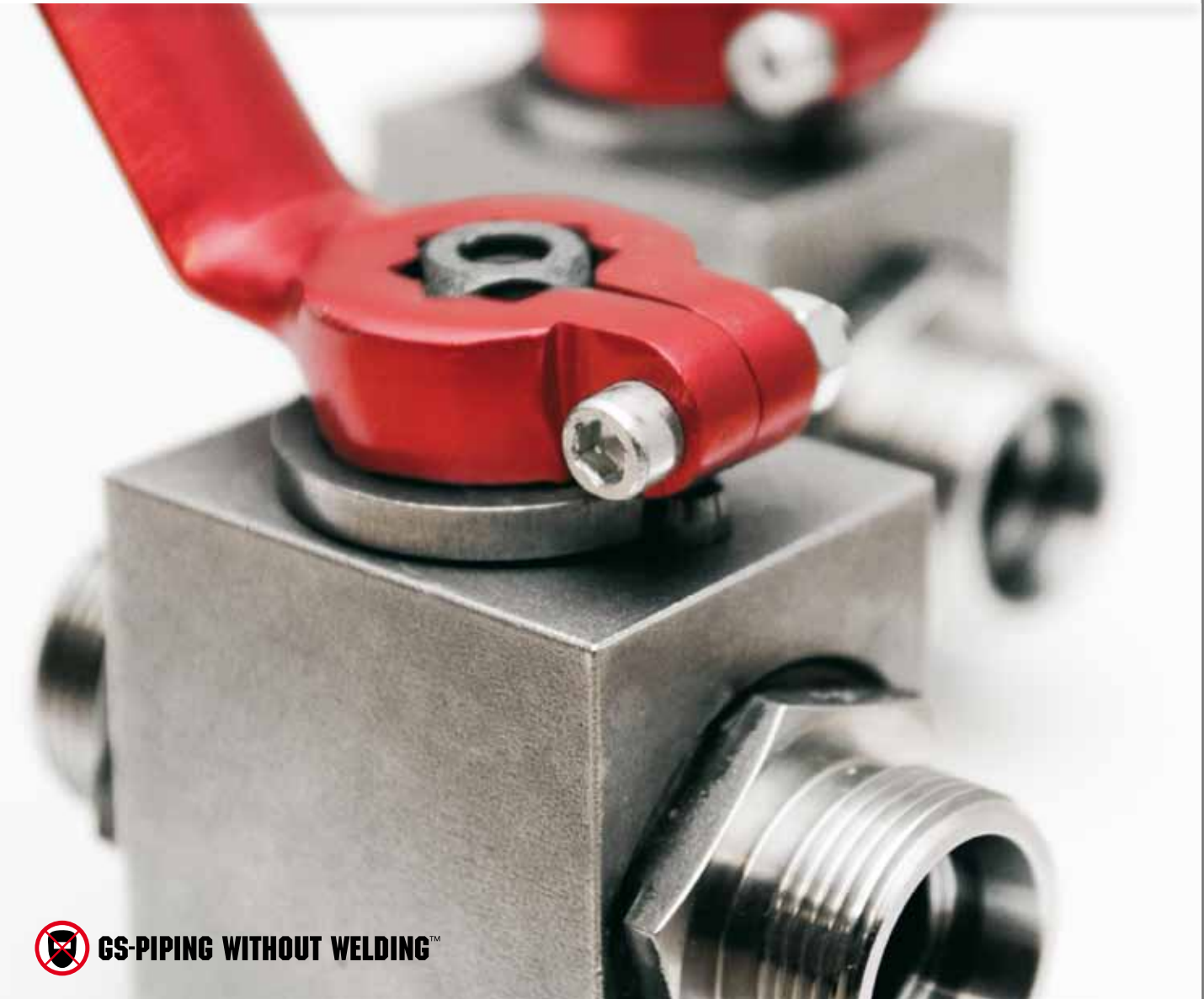


GS-HYDRO
VALVES



GS-PIPING WITHOUT WELDING™



General Information

GS-Hydro's ball valves and non-return valves are designed and manufactured according to the highest standards.

Those products are used in many fields of application all over the world, e.g.

- Offshore industry
- Marine industry
- Land-based industry (test startions, steel works etc.)

Up-to-date technology guarantees quality and precision without compromises.

Main index

Ball valves – high pressure

BKH with threads	4
BKH with ISO 8434-1	5
BKH with threads, stainless steel.....	6
BKH with ISO 8434-1, stainless steel	7
MKH	8
MKH, stainless steel.....	9
SAE- and ISO connection valves	10
GS-flange connection valves.....	11
SAE-flange flat face valves	12
SAE split flange connection valves.....	13
BK3 with threads.....	14
BK3 with ISO 8434-1.....	15
BK3 with threads, stainless steel	16
BK3 with ISO 8434-1, stainless steel	17
3KH.....	18
4KH.....	19
800 bar, high temperature	20
DSB.....	21

Ball valves – low pressure

52, GS1	22
GS2, GS3.....	23

Needle valves

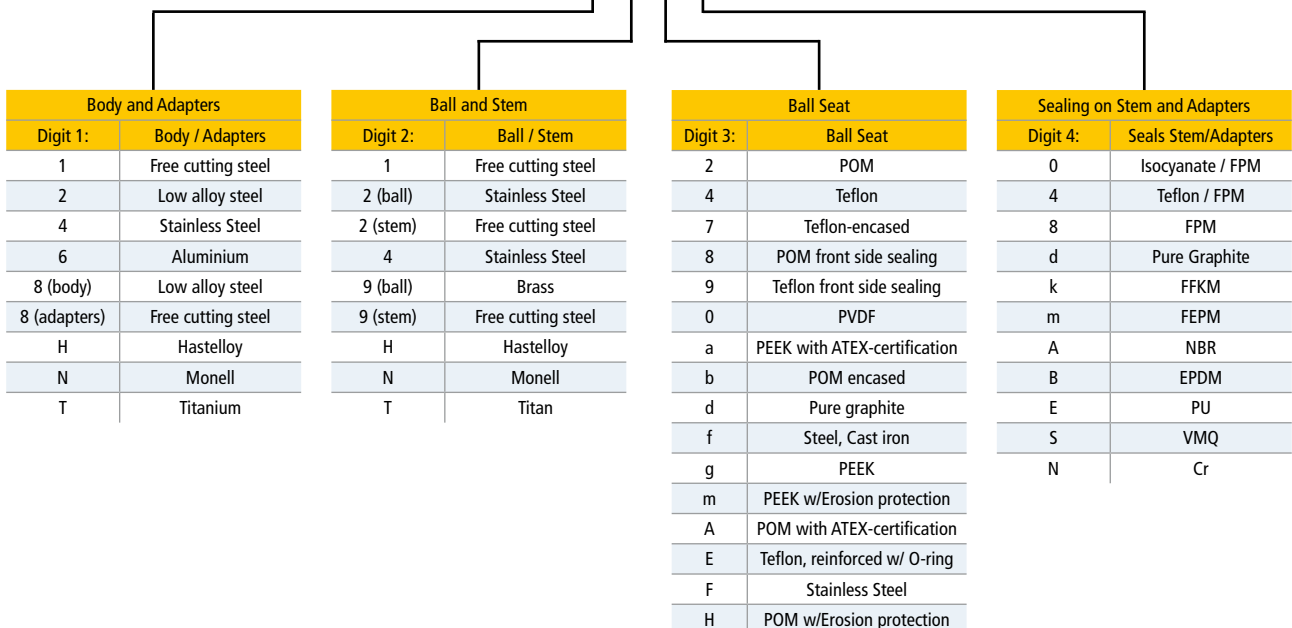
NDV	24
NDRV	25

Non return valves

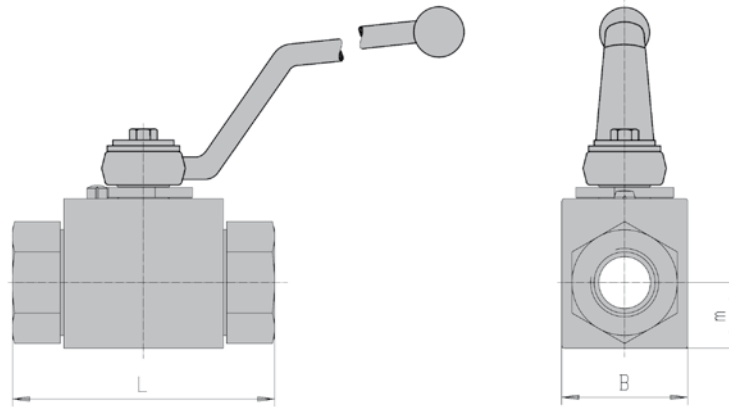
RHDI, RV.....	26
With GS-flange connection	27
RHDK.....	28
RHZK	29
RHVK.....	30

Material code breakdown for high pressure ball valves (pages 4 - 21)

1 1 2 A



Ball valves – high pressure



BKH with BSP thread

DN	Carbon steel		Data						Material				Flow
	Part No	ID Code	W.P.	G	L	B	m	Weight	Body	Ball	Seat	Seals	
4	BKH 1/8 R	2603000800	500	1/8" BSP	69	26	13,5	0,41	1	9	2	A	FULL BORE
6	BKH 1/4 R	2603001000	500	1/4" BSP	69	26	13,5	0,4	1	9	2	A	FULL BORE
10	BKH 3/8 R	2603001200	500	3/8" BSP	72	32	17,5	0,54	1	9	2	A	FULL BORE
13	BKH 1/2 R	2603001400	500	1/2" BSP	83	35	19	0,65	1	9	2	A	FULL BORE
20	BKH 3/4 R	2603001600	420	3/4" BSP	95	49	24,5	1,5	1	9	2	A	FULL BORE
25	BKH 1 R	2603001800	350*	1" BSP	113	58	29,5	2,2	1	9	2	A	FULL BORE
25	BKHHP 1 R	2603002000	420	1" BSP	113	70	34,5	3,1	1	9	2	A	FULL BORE
25	BKH 1 1/4 R	2603003000	315	1.1/4" BSP	120	58	29,5	2,3	1	9	2	A	RED. BORE
25	BKH 1 1/2 R	2603004000	315	1.1/2" BSP	130	58	29,5	2,6	1	9	2	A	RED. BORE

BKH with NPT thread

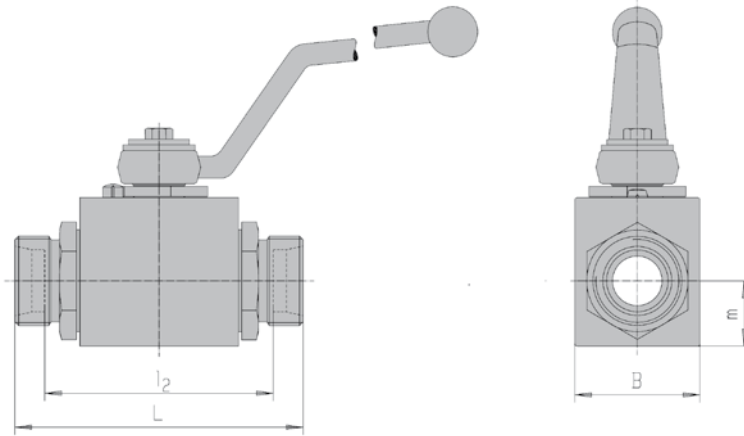
DN	Carbon steel		Data						Material				Flow
	Part No	ID Code	W.P.	G	L	B	m	Weight	Body	Ball	Seat	Seals	
4	BKH 1/8 NPT	2603008000	500	1/8" NPT	69	26	13,5	0,3	1	9	2	A	FULL BORE
6	BKH 1/4 NPT	2603008100	500	1/4" NPT	69	26	13,5	0,4	1	9	2	A	FULL BORE
10	BKH 3/8 NPT	2603008200	500	3/8" NPT	72	32	17,5	0,55	1	9	2	A	FULL BORE
13	BKH 1/2 NPT	2603008300	500	1/2" NPT	83	35	19	0,75	1	9	2	A	FULL BORE
20	BKH 3/4 NPT	2603008400	420	3/4" NPT	95	49	24,5	1,63	1	9	2	A	FULL BORE
25	BKH 1 NPT	2603008500	350*	1" NPT	113	58	29,5	2,3	1	9	2	A	FULL BORE
25	BKHHP 1 NPT	2603008600	420	1" NPT	113	70	34,5	3,16	1	9	2	A	FULL BORE
25	BKH 1 1/4 NPT	2603008700	315	1.1/4" NPT	120	58	29,5	2,51	1	9	2	A	RED. BORE
25	BKH 1 1/2 NPT	2603008800	315	1.1/2" NPT	130	58	29,5	2,7	1	9	2	A	RED. BORE

BKH with UNF thread

DN	Carbon steel		Data						Material				Flow
	Part No	ID Code	W.P.	G	L	B	m	Weight	Body	Ball	Seat	Seals	
6	BKH 7/16 UNF	2603007000	500	7/16" UNF	69	26	13,5	0,4	1	9	2	A	FULL BORE
10	BKH 9/16 UNF	2603007100	500	9/16" UNF	72	32	17,5	0,5	1	9	2	A	FULL BORE
13	BKH 3/4 UNF	2603007200	500	3/4" UNF	83	35	19	0,7	1	9	2	A	FULL BORE
20	BKH 1.1/16 UN	2603007300	420	1.1/16" UN	95	49	24,5	1,55	1	9	2	A	FULL BORE
25	BKH 1.5/16 UN	2603007400	350*	1.5/16" UN	113	58	29,5	2,2	1	9	2	A	FULL BORE
25	BKHHP 1.5/16 UN	2603007500	420	1.5/16" UN	121	70	34,5	3,08	1	9	2	A	FULL BORE

*) Safety factor 2.2
Contact GS-Hydro for other material combinations, see also page 3.

Ball valves – high pressure



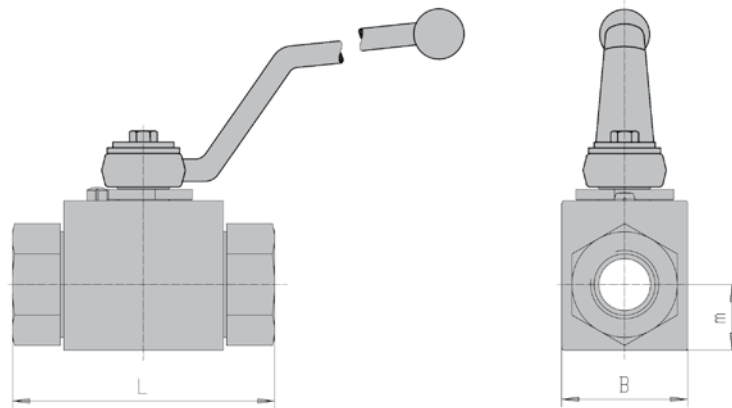
BKH with ISO 8434-1 (DIN 2353)

	DN	Carbon steel		Data						Material				Flow	
		Part No	ID Code	W.P.**	G	L	l2	B	m	Weight	Body	Ball	Seat		Seals
Light Series	4	BKHK 06 L	2603400000	500	DIN 06L	67	53	26	13,5	0,36	1	9	2	A	FULL BORE
	6	BKHK 08 L	2603400500	500	DIN 08L	67	53	26	13,5	0,37	1	9	2	A	FULL BORE
	8	BKHK 10 L	2603401500	500	DIN 10L	74	60	26	13,5	0,38	1	9	2	A	FULL BORE
	10	BKHK 12 L	2603402500	400	DIN 12L	74	60	32	17,5	0,5	1	9	2	A	FULL BORE
	13	BKHK 15 L	2603403500	400	DIN 15L	82	68	35	19	0,61	1	9	2	A	FULL BORE
	13	BKHK 18 L	2603404500	250	DIN 18L	82	67	35	19	0,6	1	9	2	A	FULL BORE
	20	BKHK 22 L	2603405500	250	DIN 22L	101	86	49	24,5	1,49	1	9	2	A	FULL BORE
	25	BKHK 28 L	2603406500	250	DIN 28L	108	93	58	29,5	2	1	9	2	A	FULL BORE
	25	BKHK 35 L	2603407500	250	DIN 35L	112	91	58	29,5	2,12	1	9	2	A	RED. BORE
	25	BKHK 42 L	2603407550	250	DIN 42L	112	90	58	29,5	2,27	1	9	2	A	RED. BORE
Heavy Series	4	BKHK 06 S	2603400900	500	DIN 06S	73	59	26	13,5	0,38	1	9	2	A	FULL BORE
	4	BKHK 08 S	2603401000	500	DIN 08S	73	59	26	13,5	0,38	1	9	2	A	FULL BORE
	6	BKHK 10 S	2603402000	500	DIN 10S	73	58	26	13,5	0,39	1	9	2	A	FULL BORE
	8	BKHK 12 S	2603403000	500	DIN 12S	76	61	26	13,5	0,39	1	9	2	A	FULL BORE
	10	BKHK 14 S	2603403300	500	DIN 14S	80	64	32	17,5	0,5	1	9	2	A	FULL BORE
	13	BKHK 16 S	2603404000	500	DIN 16S	86	69	35	19	0,6	1	9	2	A	FULL BORE
	13	BKHK 20 S	2603405000	500	DIN 20S	90	69	35	19	0,6	1	9	2	A	FULL BORE
	20	BKHK 25 S	2603406000	420	DIN 25S	109	85	49	24,5	1,55	1	9	2	A	FULL BORE
	25	BKHK 30 S	2603407000	350*	DIN 30S	120	93	58	29,5	2,1	1	9	2	A	FULL BORE
	25	BKHPK 30 S	2603407100	420	DIN 30S	130	103	70	34,5	3,06	1	9	2	A	FULL BORE
25	BKHK 38 S	2603407200	350*	DIN 38S	124	92	58	29,5	2,3	1	9	2	A	RED. BORE	

*) Safety factor 2.2

**) Light series fittings W.P. limited by fitting, GS-Hydro fittings only. Contact GS-Hydro for other material combinations, see also page 3.

Ball valves – high pressure, stainless steel



BKH-316 with BSP thread

DN	Stainless steel		Data						Material				Flow
	Part No	ID Code	W.P.	G	L	B	m	Weight	Body	Ball	Seat	Seals	
4	BKH 1/8 R 316	260100900	500	1/8" BSP	69	26	13,5	0,41	4	4	2	A	FULL BORE
6	BKH 1/4 R 316	2601001000	500	1/4" BSP	69	26	13,5	0,4	4	4	2	A	FULL BORE
10	BKH 3/8 R 316	2601001200	500	3/8" BSP	72	32	17,5	0,54	4	4	2	A	FULL BORE
13	BKH 1/2 R 316	2601001400	500	1/2" BSP	83	35	19	0,65	4	4	2	A	FULL BORE
20	BKH 3/4 R 316	2601001600	315	3/4" BSP	95	49	24,5	1,5	4	4	2	A	FULL BORE
25	BKH 1 R 316	2601001800	315	1" BSP	113	58	29,5	2,2	4	4	2	A	FULL BORE
25	BKH 1 1/4 R 316	2601005000	315	1.1/4" BSP	120	58	29,5	2,3	4	4	2	A	RED. BORE
25	BKH 1 1/2 R 316	2601002400	250	1.1/2" BSP	130	58	29,5	2,6	4	4	2	A	RED. BORE

BKH-316 with NPT thread

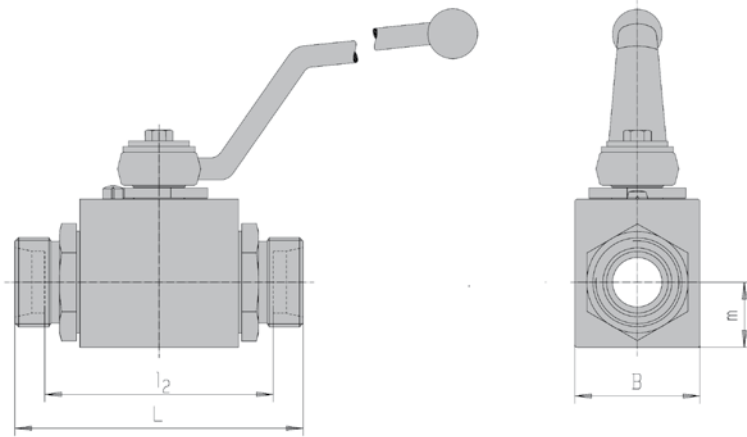
DN	Stainless steel		Data						Material				Flow
	Part No	ID Code	W.P.	G	L	B	m	Weight	Body	Ball	Seat	Seals	
4	BKH 1/8 NPT 316	2601020000	500	1/8" NPT	69	26	13,5	0,3	4	4	2	A	FULL BORE
6	BKH 1/4 NPT 316	2601020100	500	1/4" NPT	69	26	13,5	0,4	4	4	2	A	FULL BORE
10	BKH 3/8 NPT 316	2601020200	500	3/8" NPT	72	32	17,5	0,55	4	4	2	A	FULL BORE
13	BKH 1/2 NPT 316	2601020300	500	1/2" NPT	83	35	19	0,75	4	4	2	A	FULL BORE
20	BKH 3/4 NPT 316	2601020400	315	3/4" NPT	95	49	24,5	1,63	4	4	2	A	FULL BORE
25	BKH 1 NPT 316	2601020500	315	1" NPT	113	58	29,5	2,3	4	4	2	A	FULL BORE
25	BKH 1 1/4 NPT 316	2601020600	315	1.1/4" NPT	120	58	29,5	2,51	4	4	2	A	RED. BORE
25	BKH 1 1/2 NPT 316	2601020700	250	1.1/2" NPT	130	58	29,5	2,7	4	4	2	A	RED. BORE

BKH-316 with UNF thread

DN	Stainless steel		Data						Material				Flow
	Part No	ID Code	W.P.	G	L	B	m	Weight	Body	Ball	Seat	Seals	
6	BKH 7/16 UNF 316	2601021000	500	7/16" UNF	69	26	13,5	0,4	4	4	2	A	FULL BORE
10	BKH 9/16 UNF 316	2601021100	500	9/16" UNF	72	32	17,5	0,5	4	4	2	A	FULL BORE
13	BKH 3/4 UNF 316	2601021200	500	3/4" UNF	83	35	19	0,7	4	4	2	A	FULL BORE
20	BKH 1.1/16 UN 316	2601021300	315	1.1/16" UN	95	49	24,5	1,55	4	4	2	A	FULL BORE
25	BKH 1.5/16 UN 316	2601021400	315	1.5/16" UN	113	58	29,5	2,2	4	4	2	A	FULL BORE

Contact GS-Hydro for other material combinations, see also page 3.

Ball valves – high pressure, stainless steel

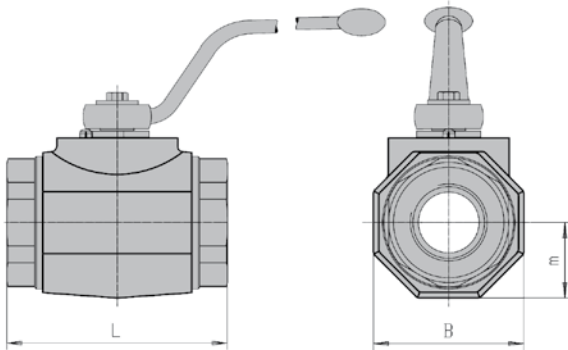


BKH-316 with ISO 8434-1 (DIN 2353)

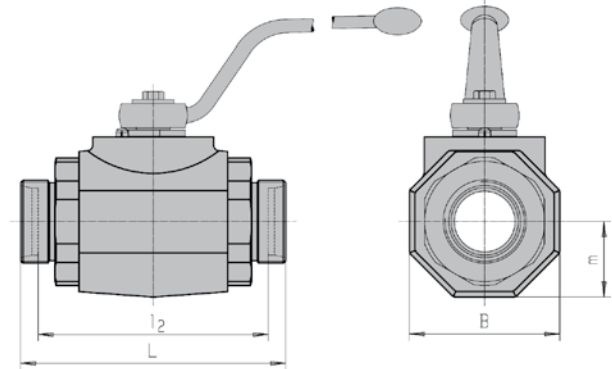
	DN	Stainless steel		Data						Material				Flow	
		Part No	ID Code	W.P.*	G	L	l2	B	m	Weight	Body	Ball	Seat		Seals
Light Series	4	BKHK 06 L 316	2601010000	500	DIN 06L	67	53	26	13,5	0,36	4	4	2	A	FULL BORE
	6	BKHK 08 L 316	2601010200	500	DIN 08L	67	53	26	13,5	0,37	4	4	2	A	FULL BORE
	8	BKHK 10 L 316	2601010400	500	DIN 10L	74	60	26	13,5	0,38	4	4	2	A	FULL BORE
	10	BKHK 12 L 316	2601010600	400	DIN 12L	74	60	32	17,5	0,5	4	4	2	A	FULL BORE
	13	BKHK 15 L 316	2601010800	400	DIN 15L	82	68	35	19	0,61	4	4	2	A	FULL BORE
	16	BKHK 18 L 316	2601011000	250	DIN 18L	82	67	35	19	0,75	4	4	2	A	FULL BORE
	20	BKHK 22 L 316	2601011200	250	DIN 22L	101	86	49	24,5	1,49	4	4	2	A	FULL BORE
	25	BKHK 28 L 316	2601011400	250	DIN 28L	108	93	58	29,5	2	4	4	2	A	FULL BORE
	25	BKHK 35 L 316	2601011600	250	DIN 35L	112	91	58	29,5	2,12	4	4	2	A	RED. BORE
	25	BKHK 42 L 316	2601012000	250	DIN 42L	112	90	58	29,5	2,27	4	4	2	A	RED. BORE
Heavy Series	4	BKHK 06 S 316	2601012100	500	DIN 06S	73	59	26	13,5	0,38	4	4	2	A	FULL BORE
	4	BKHK 08 S 316	2601012200	500	DIN 08S	73	59	26	13,5	0,39	4	4	2	A	FULL BORE
	6	BKHK 10 S 316	2601012400	500	DIN 10S	73	58	26	13,5	0,39	4	4	2	A	FULL BORE
	8	BKHK 12 S 316	2601012600	500	DIN 12S	76	61	26	13,5	0,5	4	4	2	A	FULL BORE
	10	BKHK 14 S 316	2601012700	500	DIN 14S	80	64	32	17,5	0,6	4	4	2	A	FULL BORE
	13	BKHK 16 S 316	2601012800	500	DIN 16S	86	69	35	19	0,6	4	4	2	A	FULL BORE
	16	BKHK 20 S 316	2601013200	400	DIN 20S	90	69	38	19	0,8	4	4	2	A	FULL BORE
	20	BKHK 25 S 316	2601013400	315	DIN 25S	109	85	49	24,5	1,55	4	4	2	A	FULL BORE
	25	BKHK 30 S 316	2601013600	315	DIN 30S	120	93	58	29,5	2,1	4	4	2	A	FULL BORE
	25	BKHK 38 S 316	2601013800	315	DIN 38S	124	92	58	29,5	2,3	4	4	2	A	RED. BORE

*) Light series fittings W.P. limited by fitting, GS-Hydro fittings only.
Contact GS-Hydro for other material combinations, see also page 3.

Ball valves – high pressure



MKH with thread



MKH with ISO 8434-1

MKH with BSP thread

DN	Carbon steel		Data						Material				Flow
	Part No	ID Code	W.P.	G	L	B	m	Weight	Body	Ball	Seat	Seals	
32	MKHP 11/4 R	2603006000	420	1.1/4" BSP	111	81	40,5	3,78	1	1	2	A	FULL BORE
40	MKHP 11/2 R	2603006200	420	1.1/2" BSP	130	100	50	6,5	1	1	2	A	FULL BORE
50	MKHP 2 R	2603006400	420	2" BSP	140	118	59	8,5	1	1	2	A	FULL BORE

MKH with NPT thread

DN	Carbon steel		Data						Material				Flow
	Part No	ID Code	W.P.	G	L	B	m	Weight	Body	Ball	Seat	Seals	
32	MKHP 11/4 NPT	2603020000	420	1.1/4" NPT	120	81	40,5	3,98	1	1	2	A	FULL BORE
40	MKHP 11/2 NPT	2603020100	420	1.1/2" NPT	130	100	50	6,1	1	1	2	A	FULL BORE
50	MKHP 2 NPT	2603020200	420	2" NPT	140	118	59	8,7	1	1	2	A	FULL BORE

MKH with UNF thread

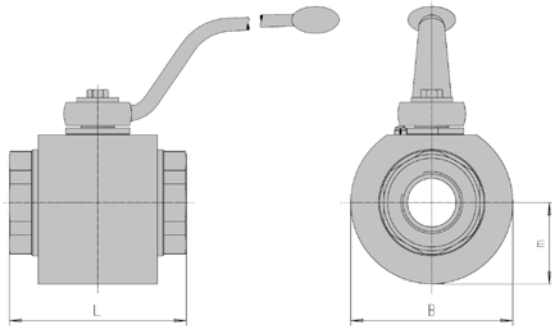
DN	Carbon steel		Data						Material				Flow
	Part No	ID Code	W.P.	G	L	B	m	Weight	Body	Ball	Seat	Seals	
32	MKHP 1.5/8 UN	2603020500	420	1.5/8" UN	111	81	40,5	3,79	1	1	2	A	FULL BORE
40	MKHP 1.7/8 UN	2603020600	420	1.7/8" UN	130	100	50	6,03	1	1	2	A	FULL BORE
50	MKHP 2.1/2 UN	2603020700	420	2.1/2" UN	140	118	59	8,6	1	1	2	A	FULL BORE

MKH with ISO 8434-1 (DIN 2353)

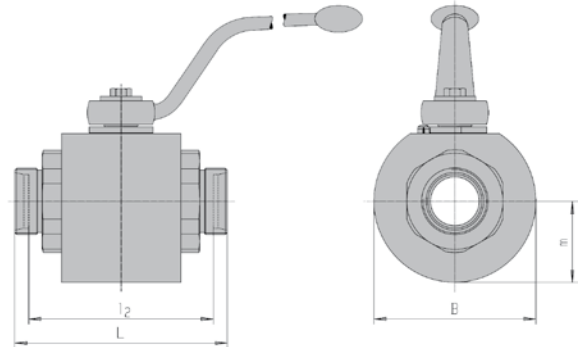
	DN	Carbon steel		Data						Material				Flow	
		Part No	ID Code	W.P.*	G	L	I2	B	m	Weight	Body	Ball	Seat		Seals
L	32	MKHPK 35 L	2603407600	250	DIN 35L	136	115	81	40,5	3,97	1	1	2	A	FULL BORE
	40	MKHPK 42 L	2603408500	250	DIN 42L	147	125	100	50	5,93	1	1	2	A	FULL BORE
S	32	MKHPK 38 S	2603408000	420	DIN 38S	148	116	81	40,5	4,16	1	1	2	A	FULL BORE

*) Light series fittings W.P. limited by fitting, GS-Hydro fittings only.
Contact GS-Hydro for other material combinations, see also page 3.

Ball valves – high pressure, stainless steel



MKH with thread



MKH with ISO 8434-1

MKH-316 with BSP thread

DN	Stainless steel		Data						Material				Flow
	Part No	ID Code	W.P.	G	L	B	m	Weight	Body	Ball	Seat	Seals	
32	MKHP 11/4 R 316	2601002000	420	1.1/4" BSP	111	109	54,5	6,1	4	4	2	A	FULL BORE
40	MKHP 11/2 R 316	2601002200	420	1.1/2" BSP	130	124	62	8,66	4	4	2	A	FULL BORE
50	MKHP 2 R 316	2601002500	420	2" BSP	140	132	66	10,3	4	4	2	A	FULL BORE

MKH-316 with NPT thread

DN	Stainless steel		Data						Material				Flow
	Part No	ID Code	W.P.	G	L	B	m	Weight	Body	Ball	Seat	Seals	
32	MKHP 11/4 NPT 316	2601022000	420	1.1/4" NPT	120	109	54,5	6,24	4	4	2	A	FULL BORE
40	MKHP 11/2 NPT 316	2601022100	420	1.1/2" NPT	130	124	62	8,54	4	4	2	A	FULL BORE
50	MKHP 2 NPT 316	2601022200	420	2" NPT	140	132	66	10,4	4	4	2	A	FULL BORE

MKH-316 with UNF thread

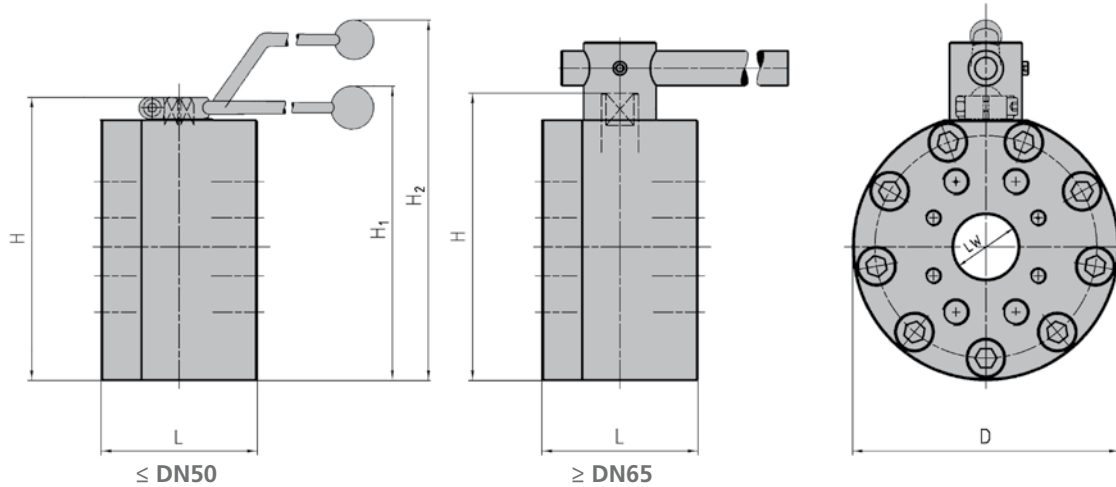
DN	Stainless steel		Data						Material				Flow
	Part No	ID Code	W.P.	G	L	B	m	Weight	Body	Ball	Seat	Seals	
32	MKHP 1.5/8 UN 316	2601023100	420	1.5/8" UN	111	109	54,5	6,07	4	4	2	A	FULL BORE
40	MKHP 1.7/8 UN 316	2601023200	420	1.7/8" UN	130	124	62	8,61	4	4	2	A	FULL BORE
50	MKHP 2.1/2 UN 316	2601023300	420	2.1/2" UN	140	132	66	9,45	4	4	2	A	FULL BORE

MKH-316 with ISO 8434-1 (DIN 2353)

	DN	Stainless steel		Data						Material				Flow	
		Part No	ID Code	W.P.*	G	L	I2	B	m	Weight	Body	Ball	Seat		Seals
L	32	MKHPK 35 L 316	2601011800	250	DIN 35L	136	115	109	54,5	6,18	4	4	2	A	FULL BORE
	40	MKHPK 42 L 316	2601011900	250	DIN 42L	147	125	124	62	8,48	4	4	2	A	FULL BORE
S	32	MKHPK 38 S 316	2601014000	420	DIN 38S	148	116	109	54,5	6,48	4	4	2	A	FULL BORE

*) Light series fittings W.P. limited by fitting, GS-Hydro fittings only.
 Contact GS-Hydro for other material combinations, see also page 3.
 Ordinary MKH build available for W.P. below 315 bar.

Ball valves – high pressure



SAE 3000 psi / 6000 psi

Size	Carbon steel		Data								Material				Flow
	Part No	ID Code	W.P.	LW	L	H	H1	H2	D	Weight	Body	Ball	Seat	Seals	
1/2"	SAE 210/420-15	2603034000	210/420	15	75	88	-	132	88	2,96	2	1	2	A	FULL BORE
3/4"	SAE 210/420-20	2603034200	210/420	20	80	100	103	-	98	4,21	2	1	2	A	FULL BORE
1"	SAE 210/420-25	2603034400	210/420	25	88	113	116	-	118	6,01	2	1	2	A	FULL BORE
1 1/4"	SAE 210/420-32	2603034600	210/420	32	100	158	167	-	145	12,1	2	1	2	A	FULL BORE
1 1/2"	SAE 210/420-40	2603034800	210/420	38	110	178	187	-	165	17,5	2	1	2	A	FULL BORE
2"	SAE 210/420-50	2603035000	210/420	48	116	210	219	-	198	25	2	1	2	A	FULL BORE

SAE 3000 psi

Size	Carbon steel		Data						Material				Flow
	Part No	ID Code	W.P.	LW	L	H	D	Weight	Body	Ball	Seat	Seals	
2 1/2"	SAE 210-65	2603035200	210	63	150	259	198	33,5	2	1	2	A	FULL BORE
3"	SAE 210-80	2603035400	210	76	140	277	210	33,5	2	1	2	A	FULL BORE
4"	SAE 210-100	2603035600	210	100	170	326	258	60,5	2	1	2	A	FULL BORE
5"	SAE 210-125	2603035800	210	118	210	377	295	95,5	2	1	2	A	FULL BORE

SAE 10 000 psi

Size	Carbon steel		Data					Material				Flow
	Part No	ID Code	W.P.	LW	L	D	Weight	Body	Ball	Seat	Seals	
1/2"	SAE 690-15	2601040000	690	6,4	88	91		4*	4*	g	A	FULL BORE
3/4"	SAE 690-20	2601040100	690	11	88	115		4*	4*	g	A	FULL BORE
1"	SAE 690-25	2601040200	690	15	88	115		4*	4*	g	A	FULL BORE
1 1/4"	SAE 690-32	2601040300	690	22,7	103	125		4*	4*	g	A	FULL BORE
1 1/2"	SAE 690-40	2601040400	690	27,9	103	140		4*	4*	g	A	FULL BORE
2"	SAE 690-50	2601040500	690	38,1	140	195		4*	4*	g	A	FULL BORE

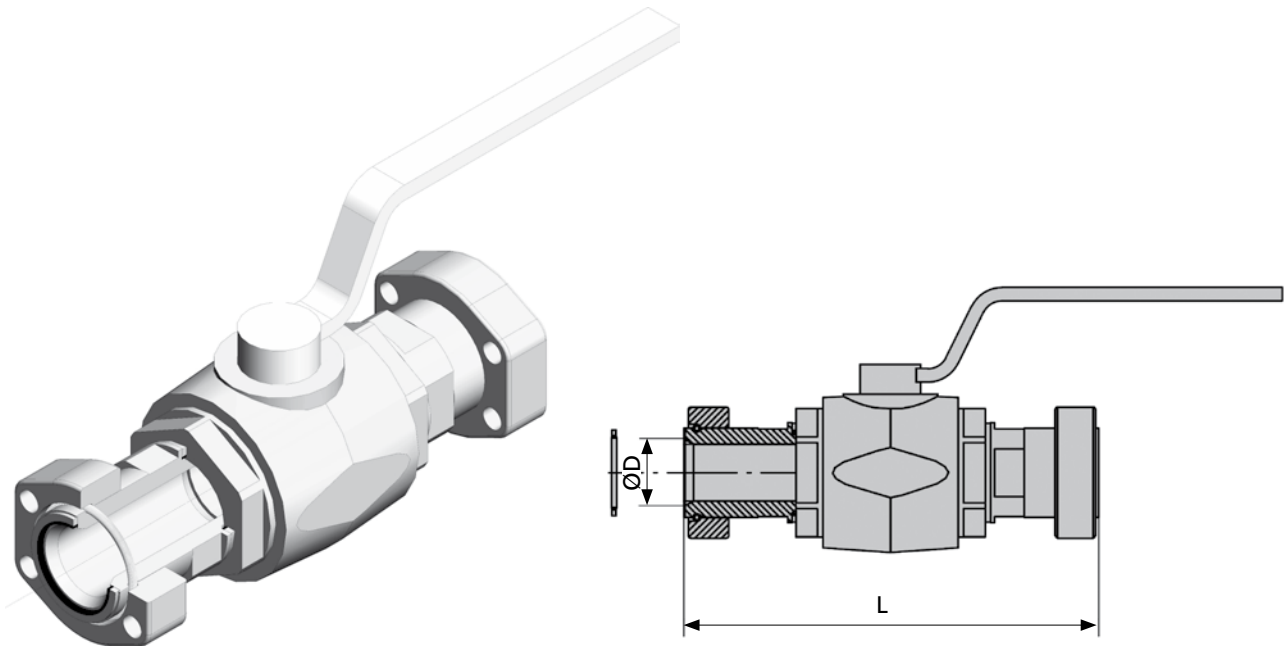
ISO6164 DIN 350-400 bar

Size	Carbon steel		Data					Material				Flow
	Part No	ID Code	W.P.	LW	L	D	Weight	Body	Ball	Seat	Seals	
2"	432-050	2603030200	400	48	116	198	25,5	2	1	2	A	FULL BORE
2 1/2"	440-050	2603030400	400	60/48	116	198	25,3	2	1	2	A	FULL BORE
3"	448-065	2603030600	350	63	150	208	36	2	1	2	A	FULL BORE
4"	456-080	2603030800	350	76	140	215	34,26	2	1	2	A	FULL BORE
4"	456-090	2603031000	350	88	170	260	60,4	2	1	2	A	FULL BORE
4 1/2"	860-100	2603031200	350	100	170	260	60,4	2	1	2	A	FULL BORE
5"	864-125	2603031400	350	118	210	300	96,8	2	1	2	A	FULL BORE
6"	880-150	2603031800	350	150	285	390	225,5	2	1	2	A	FULL BORE
8"	896-200	2603032000	350	200/192	378	456	395	2	1	2	A	FULL BORE

Contact GS-Hydro for other material combinations, see also page 3.

*) Duplex, Stainless steel

Ball valves – high pressure



Ball valve with GS-flange connection SAE 3000 psi

Size	Complete Part No	ID Code	W.P. [bar]	Ball valve Part No	L	D	Weight [kg]
1/2"	308129	2603010000	350	BKH 1/2 R	184	14	1.5
3/4"	312129	2603010400	350	BKH 3/4 R	218	21	2.6
1"	316129	2603010800	350	BKH 1 R	243	24	3.7
1 1/4"	320129	2603011200	280	MKHP 1 1/4 R	247	31	5.5
1 1/2"	324129	2603011600	280	MKHP 1 1/2 R	286	38	9.0
2"	332129	2603012000	280	MKHP 2 R	306	49	12.9

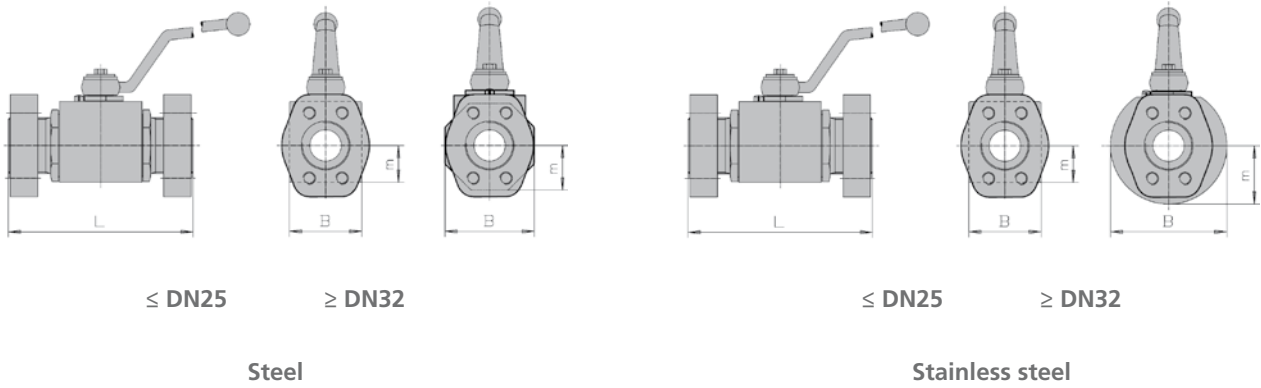
Ball valve with GS-flange connection SAE 6000 psi

Size	Complete Part No	ID Code	W.P. [bar]	Ball valve Part No	L	D	Weight [kg]
1/2"	608129	2603015000	420	BKH 1/2 R	184	14	1.70
3/4"	612129	2603015400	420	BKH 3/4 R	218	21	3.00
1"	616129	2603015800	420	BKHP 1 R	243*	24	4.10
1 1/4"	620129	2603016200	420	MKHP 1 1/4 R	247	31	6.30
1 1/2"	624129	2603016600	420	MKHP 1 1/2 R	286	38	10.4
2"	632129	2603017000	420	MKHP 2 R	306	49	15.1

Body material:
 Standard= carbon steel
 Stainless steel= add SS after Part No
 Contact GS-Hydro for other material combinations, see also page 3.

*) 261 in stainless steel

Ball valves – high pressure



Ball valves with SAE-flanges tapped for metric bolts, flat seal face.
Threaded bolt holes.

Steel

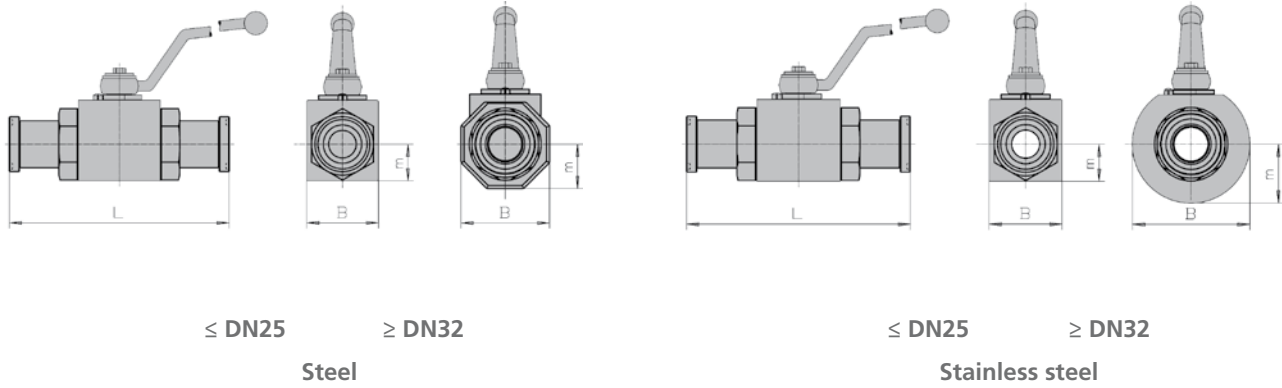
	DN	Carbon steel		Data						Material				Flow
		Part No	ID Code	W.P.	DN	L	B	m	Weight	Body	Ball	Seat	Seals	
SAE 3000 PSI	1/2"	1/2BKH-SAE3	2603501000	210	13	120	35	19	1,5	1	1	2	A	FULL BORE
	3/4"	3/4BKH-SAE3	2603501100	210	20	136	49	24,5	3	1	1	2	A	FULL BORE
	1"	1BKH-SAE3	2603501200	210	25	148	58	29,5	4,5	1	1	2	A	FULL BORE
	1.1/4"	11/4MKHP-SAE3	2603501300	210	32	172	81	40,5	7,52	1	1	2	A	FULL BORE
	1.1/2"	11/2MKHP-SAE3	2603501400	210	40	177	100	50	11,09	1	1	2	A	FULL BORE
	2"	2MKHP-SAE3	2603501500	210	50	196	118	59	19,29	1	1	2	A	FULL BORE
SAE 6000 PSI	1/2"	1/2BKH-SAE6	2603502000	420	13	120	35	19	1,5	1	1	2	A	FULL BORE
	3/4"	3/4BKH-SAE6	2603502100	420	20	136	49	24,5	3	1	1	2	A	FULL BORE
	1"	1BKHP-SAE6	2603502200	420	25	156	70	34,5	6	1	1	2	A	FULL BORE
	1.1/4"	11/4MKHP-SAE6	2603502300	420	32	172	81	40,5	7,52	1	1	2	A	FULL BORE
	1.1/2"	11/2MKHP-SAE6	2603502400	420	40	177	100	50	11,09	1	1	2	A	FULL BORE
	2"	2MKHP-SAE6	2603502500	420	50	196	118	59	19,29	1	1	2	A	FULL BORE

Stainless steel

	DN	Stainless steel		Data						Material				Flow
		Part No	ID Code	W.P.	DN	L	B	m	Weight	Body	Ball	Seat	Seals	
SAE 3000 PSI	1/2"	1/2BKH-SAE3 316	2601501000	210	13	120	35	19	1,5	4	4	2	A	FULL BORE
	3/4"	3/4BKH-SAE3 316	2601501100	210	20	136	49	24,5	3	4	4	2	A	FULL BORE
	1"	1BKHP-SAE3 316	2601501200	210	25	148	58	29,5	4,5	4	4	2	A	FULL BORE
	1.1/4"	11/4MKHP-SAE3 316	2601501300	210	32	172	109	54,5	9,72	4	4	2	A	FULL BORE
	1.1/2"	11/2MKHP-SAE3 316	2601501400	210	40	177	124	62	13,57	4	4	2	A	FULL BORE
	2"	2MKHP-SAE3 316	2601501500	210	50	196	132	66	20,25	4	4	2	A	FULL BORE
SAE 6000 PSI	1/2"	1/2BKH-SAE6 316	2601502000	420	13	120	35	19	1,5	4	4	2	A	FULL BORE
	3/4"	3/4BKH-SAE6 316	2601502100	315	20	136	49	24,5	3	4	4	2	A	FULL BORE
	1"	1BKHP-SAE6 316	2601502200	315	25	148	58	29,5	4,5	4	4	2	A	FULL BORE
	1.1/4"	11/4MKHP-SAE6 316	2601502300	420	32	172	109	54,5	9,72	4	4	2	A	FULL BORE
	1.1/2"	11/2MKHP-SAE6 316	2601502400	420	40	177	124	62	13,57	4	4	2	A	FULL BORE
	2"	2MKHP-SAE6 316	2601502500	420	50	196	132	66	20,25	4	4	2	A	FULL BORE

UNC tapped version available on request.
Contact GS-Hydro for other material combinations, see also page 3.

Ball valves – high pressure



Ball valves for SAE split flange connection, O-ring seal face.

Steel

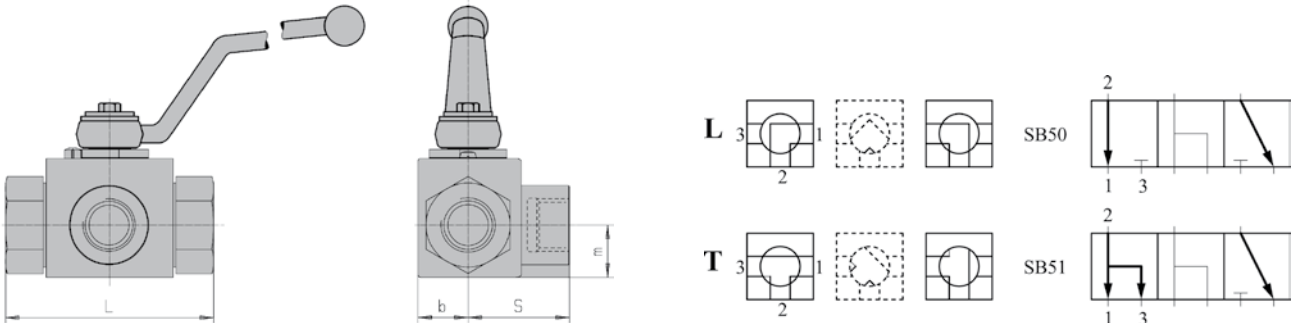
	DN	Carbon steel		Data						Material				Flow
		Part No	ID Code	W.P.	DN	L	B	m	Weight	Body	Ball	Seat	Seals	
SAE 3000 PSI	1/2"	1/2BKH-FS3	2603503000	210	13	151	35	19	0,85	1	1	2	A	FULL BORE
	3/4"	3/4BKH-FS3	2603503100	210	20	162	49	24,5	1,87	1	1	2	A	FULL BORE
	1"	1BKH-FS3	2603503200	210	25	178	58	29,5	2,7	1	1	2	A	FULL BORE
	1.1/4"	11/4MKHP-FS3	2603503300	210	32	191	81	40,5	4,22	1	1	2	A	FULL BORE
	1.1/2"	11/2MKHP-FS3	2603503400	210	40	231	100	50	6,54	1	1	2	A	FULL BORE
	2"	2MKHP-FS3	2603503500	210	50	232	118	59	9,29	1	1	2	A	FULL BORE
SAE 6000 PSI	1/2"	1/2BKH-FS6	2603504000	420	13	151	35	19	0,9	1	1	2	A	FULL BORE
	3/4"	3/4BKH-FS6	2603504100	420	20	174	49	24,5	1,95	1	1	2	A	FULL BORE
	1"	1BKH-FS6	2603504200	420	25	206	70	34,5	3,66	1	1	2	A	FULL BORE
	1.1/4"	11/4MKHP-FS6	2603504300	420	32	223	81	40,5	4,72	1	1	2	A	FULL BORE
	1.1/2"	11/2MKHP-FS6	2603504400	420	40	281	100	50	7,49	1	1	2	A	FULL BORE
	2"	2MKHP-FS6	2603504500	420	50	316	118	59	11,39	1	1	2	A	FULL BORE

Stainless steel

	DN	Stainless steel		Data						Material				Flow
		Part No	ID Code	W.P.	DN	L	B	m	Weight	Body	Ball	Seat	Seals	
SAE 3000 PSI	1/2"	1/2BKH-FS3 316	2601503000	210	13	151	35	19	0,85	4	4	2	A	FULL BORE
	3/4"	3/4BKH-FS3 316	2601503100	210	20	162	49	24,5	1,87	4	4	2	A	FULL BORE
	1"	1BKH-FS3 316	2601503200	210	25	178	58	29,5	2,7	4	4	2	A	FULL BORE
	1.1/4"	11/4MKHP-FS3 316	2601503300	210	32	191	109	54,5	6,8	4	4	2	A	FULL BORE
	1.1/2"	11/2MKHP-FS3 316	2601503400	210	40	231	124	62	9,4	4	4	2	A	FULL BORE
	2"	2MKHP-FS3 316	2601503500	210	50	232	132	66	10,64	4	4	2	A	FULL BORE
SAE 6000 PSI	1/2"	1/2BKH-FS6 316	2601504000	420	13	151	35	19	0,9	4	4	2	A	FULL BORE
	3/4"	3/4BKH-FS6 316	2601504100	315	20	174	49	24,5	1,95	4	4	2	A	FULL BORE
	1"	1BKH-FS6 316	2601504200	315	25	198	58	29,5	3	4	4	2	A	FULL BORE
	1.1/4"	11/4MKHP-FS6 316	2601504300	420	32	223	109	54,5	7,3	4	4	2	A	FULL BORE
	1.1/2"	11/2MKHP-FS6 316	2601504400	420	40	281	124	62	10,35	4	4	2	A	FULL BORE
	2"	2MKHP-FS6 316	2601504500	420	50	316	132	66	12,74	4	4	2	A	FULL BORE

Contact GS-Hydro for other material combinations, see also page 3.

Ball valves – high pressure



Pressure inlet only from the port in the middle.
Standard valve delivered with L-bore.
For T-bore, please add T to the Part No.

BK3 with BSP thread

DN	Carbon steel		Data							Material				Flow
	Part No	ID Code	W.P.	G	L	B	S	M	Weight	Body	Ball	Seat	Seals	
4	BK3 1/8 R	2603359900	500	1/8" BSP	69	13	34,5	13,5	0,4	1	1	2	A	FULL BORE
6	BK3 1/4 R	2603360000	500	1/4" BSP	69	13	34,5	13,5	0,46	1	1	2	A	FULL BORE
10	BK3 3/8 R	2603361000	500	3/8" BSP	72	16	36	17,5	0,6	1	1	2	A	FULL BORE
13	BK3 1/2 R	2603362000	500	1/2" BSP	83	17,5	41,5	19	0,7	1	1	2	A	FULL BORE
20	BK3 3/4 R	2603362600	315	3/4" BSP	95	24,5	47,5	24,5	1,8	1	1	2	A	FULL BORE
25	BK3 1 R	2603363000	315	1" BSP	113	29	56,5	29,5	2,4	1	1	2	A	FULL BORE
32	BK3 1 1/4 R	2603364000	350	1.1/4" BSP	111	39	55	39	3,8	1	1	2	A	FULL BORE
40	BK3 1 1/2 R	2603365000	350	1.1/2" BSP	130	53	65	53	6,2	1	1	2	A	FULL BORE
50	BK3 2 R	2603366000	350	2" BSP	150	58	75	58	7,8	1	1	2	A	FULL BORE

BK3 with NPT thread

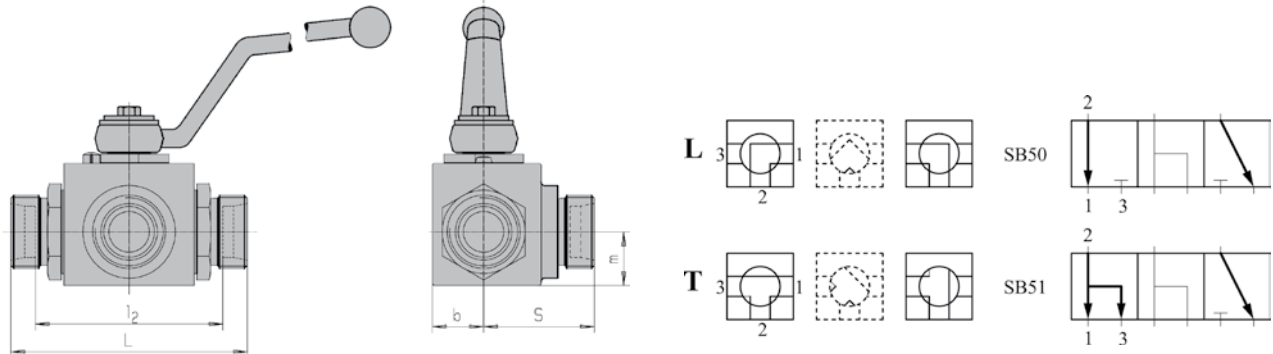
DN	Carbon steel		Data							Material				Flow
	Part No	ID Code	W.P.	G	L	B	S	M	Weight	Body	Ball	Seat	Seals	
4	BK3 1/8 NPT	2603370000	500	1/8" NPT	69	13	34,5	13,5	0,4	1	1	2	A	FULL BORE
6	BK3 1/4 NPT	2603370100	500	1/4" NPT	69	13	34,5	13,5	0,46	1	1	2	A	FULL BORE
10	BK3 3/8 NPT	2603370200	500	3/8" NPT	72	16	36	17,5	0,6	1	1	2	A	FULL BORE
13	BK3 1/2 NPT	2603370300	500	1/2" NPT	83	17,5	41,5	19	0,7	1	1	2	A	FULL BORE
20	BK3 3/4 NPT	2603370400	315	3/4" NPT	95	24,5	47,5	24,5	1,8	1	1	2	A	FULL BORE
25	BK3 1 NPT	2603370500	315	1" NPT	113	29	56,5	29,5	2,4	1	1	2	A	FULL BORE
32	BK3 1 1/4 NPT	2603370700	350	1.1/4" NPT	111	39	60	39	3,8	1	1	2	A	FULL BORE
40	BK3 1 1/2 NPT	2603370800	350	1.1/2" NPT	130	53	70	53	6,2	1	1	2	A	FULL BORE
50	BK3 2 NPT	2603370900	350	2" NPT	150	58	75	58	7,8	1	1	2	A	FULL BORE

BK3 with UNF thread

DN	Carbon steel		Data							Material				Flow
	Part No	ID Code	W.P.	G	L	B	S	M	Weight	Body	Ball	Seat	Seals	
6	BK3 7/16 UNF	2603380000	500	7/16" UNF	69	13	34,5	13,5	0,5	1	1	2	A	FULL BORE
10	BK3 9/16 UNF	2603380100	500	9/16" UNF	72	16	36	17,5	0,6	1	1	2	A	FULL BORE
13	BK3 3/4 UNF	2603380200	500	3/4" UNF	83	17,5	41,5	19	0,7	1	1	2	A	FULL BORE
20	BK3 1.1/16 UN	2603380300	315	1.1/16" UN	95	24,5	47,5	24,5	1,8	1	1	2	A	FULL BORE
25	BK3 1.5/16 UN	2603380400	315	1.5/16" UN	113	29	56,5	29,5	2,7	1	1	2	A	FULL BORE
32	BK3 1.5/8 UN	2603380500	350	1.5/8" UN	111	39	60	39	3,8	1	1	2	A	FULL BORE
40	BK3 1.7/8 UN	2603380700	350	1.7/8" UN	130	53	70	53	6,2	1	1	2	A	FULL BORE
50	BK3 2.1/2 UN	2603380800	350	2.1/2" UN	150	58	75	58	7,8	1	1	2	A	FULL BORE

Contact GS-Hydro for other material combinations, see also page 3.

Ball valves – high pressure



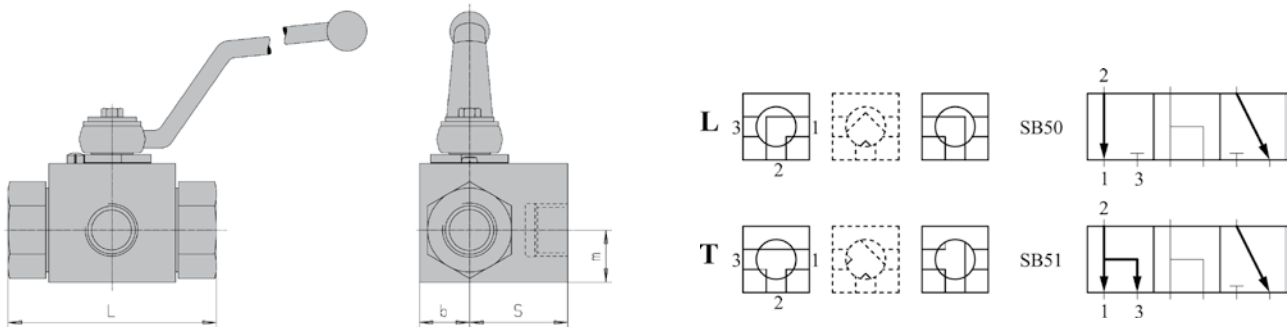
Pressure inlet only from the port in the middle.
 Standard valve delivered with L-bore.
 For T-bore, please add T to the Part No.

BK3 with ISO 8434-1 (DIN 2353)

	DN	Carbon steel		Data								Material				Flow
		Part No	ID Code	W.P.*	G	L	l2	B	S	M	Weight	Body	Ball	Seat	Seals	
LIGHT SERIES	4	BK3K 06 L	2603382000	500	DIN 06L	67	53	13	33,5	13,5	0,3	1	1	2	A	FULL BORE
	6	BK3K 08 L	2603382100	500	DIN 08L	67	53	13	33,5	13,5	0,4	1	1	2	A	FULL BORE
	8	BK3K 10 L	2603382200	500	DIN 10L	74	60	13	34,5	13,5	0,4	1	1	2	A	FULL BORE
	10	BK3K 12 L	2603382300	400	DIN 12L	74	60	16	36,5	17,5	0,5	1	1	2	A	FULL BORE
	13	BK3K 15 L	2603382400	400	DIN 15L	82	68	17,5	41	19	0,65	1	1	2	A	FULL BORE
	13	BK3K 18 L	2603382500	250	DIN 18L	82	67	17,5	41,5	19	0,69	1	1	2	A	FULL BORE
	20	BK3K 22 L	2603382700	250	DIN 22L	101	86	24,5	48	24,5	1,5	1	1	2	A	FULL BORE
	25	BK3K 28 L	2603382800	250	DIN 28L	108	93	29	54	29,5	2,1	1	1	2	A	FULL BORE
	25	BK3K 35 L	2603382900	250	DIN 35L	112	91	29	56	29,5	2,5	1	1	2	A	RED. BORE
S-SERIES	4	BK3K 08 S	2603384000	500	DIN 08S	73	59	13	34,5	13,5	0,42	1	1	2	A	FULL BORE
	6	BK3K 10 S	2603384100	500	DIN 10S	73	58	13	34,5	13,5	0,43	1	1	2	A	FULL BORE
	8	BK3K 12 S	2603384200	500	DIN 12S	76	61	13	34,5	13,5	0,44	1	1	2	A	FULL BORE
	10	BK3K 14 S	2603384300	500	DIN 14S	80	64	16	36,5	17,5	0,5	1	1	2	A	FULL BORE
	13	BK3K 16 S	2603384400	500	DIN 16S	86	69	17,5	43	19	0,65	1	1	2	A	FULL BORE
	13	BK3K 20 S	2603384500	500	DIN 20S	90	69	17,5	43	19	0,7	1	1	2	A	FULL BORE
	20	BK3K 25 S	2603384700	315	DIN 25S	109	85	24,5	48	24,5	1,7	1	1	2	A	FULL BORE
	25	BK3K 30 S	2603384800	315	DIN 30S	120	93	29	57,5	29,5	2,4	1	1	2	A	FULL BORE
	25	BK3K 38 S	2603384900	315	DIN 38S	124	92	29	57,5	29,5	2,8	1	1	2	A	RED. BORE

*) Light series fittings W.P. limited by fitting, GS-Hydro fittings only.
 Contact GS-Hydro for other material combinations, see also page 3.

Ball valves – high pressure, stainless steel



Pressure inlet only from the port in the middle.
Standard valve delivered with L-bore.
For T-bore, please add T to the Part No.

BK3 with BSP thread

DN	Stainless steel		Data							Material				Flow
	Part No	ID Code	W.P.	G	L	B	S	M	Weight	Body	Ball	Seat	Seals	
4	BK3 1/8 R 316	2601359900	500	1/8" BSP	69	13	34,5	13,5	0,55	4	4	2	A	FULL BORE
6	BK3 1/4 R 316	2601360000	500	1/4" BSP	69	13	34,5	13,5	0,55	4	4	2	A	FULL BORE
10	BK3 3/8 R 316	2601361000	500	3/8" BSP	72	16	36	17,5	0,77	4	4	2	A	FULL BORE
13	BK3 1/2 R 316	2601362000	500	1/2" BSP	83	17,5	41,5	19	0,9	4	4	2	A	FULL BORE
20	BK3 3/4 R 316	2601362600	315	3/4" BSP	95	24,5	47,5	24,5	1,95	4	4	2	A	FULL BORE
25	BK3 1 R 316	2601363000	315	1" BSP	113	29	56,5	29,5	2,4	4	4	2	A	FULL BORE
32	BK3 1 1/4 R 316	2601364000	350	1 1/4" BSP	111	39	55	39	7,0	4	4	2	A	FULL BORE
40	BK3 1 1/2 R 316	2601365000	350	1 1/2" BSP	130	53	65	53	10,5	4	4	2	A	FULL BORE
50	BK3 2 R 316	2601366000	350	2" BSP	150	58	75	58	14,5	4	4	2	A	FULL BORE

BK3 with NPT thread

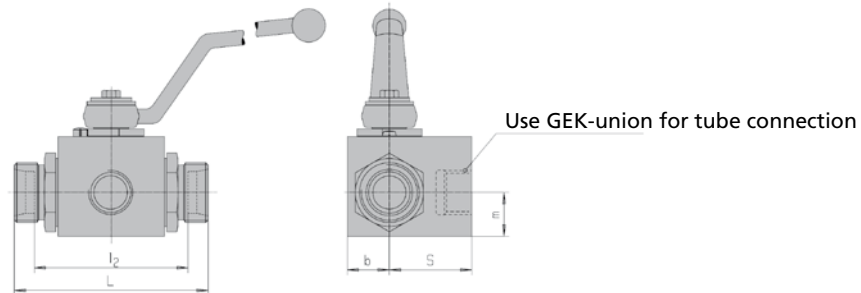
DN	Stainless steel		Data							Material				Flow
	Part No	ID Code	W.P.	G	L	B	S	M	Weight	Body	Ball	Seat	Seals	
4	BK3 1/8 NPT 316	2601370000	500	1/8" NPT	69	13	34,5	13,5	0,55	4	4	2	A	FULL BORE
6	BK3 1/4 NPT 316	2601370100	500	1/4" NPT	69	13	34,5	13,5	0,55	4	4	2	A	FULL BORE
10	BK3 3/8 NPT 316	2601370200	500	3/8" NPT	72	16	36	17,5	0,77	4	4	2	A	FULL BORE
13	BK3 1/2 NPT 316	2601370300	500	1/2" NPT	83	17,5	41,5	19	0,9	4	4	2	A	FULL BORE
20	BK3 3/4 NPT 316	2601370400	315	3/4" NPT	95	24,5	47,5	24,5	1,95	4	4	2	A	FULL BORE
25	BK3 1 NPT 316	2601370500	315	1" NPT	113	29	56,5	29,5	2,4	4	4	2	A	FULL BORE
32	BK3 1 1/4 NPT 316	2601370700	350	1 1/4" NPT	111	39	60	39	7,0	4	4	2	A	FULL BORE
40	BK3 1 1/2 NPT 316	2601370800	350	1 1/2" NPT	130	53	70	53	10,5	4	4	2	A	FULL BORE
50	BK3 2 NPT 316	2601370900	350	2" NPT	150	58	75	58	14,5	4	4	2	A	FULL BORE

BK3 with UNF thread

DN	Stainless steel		Data							Material				Flow
	Part No	ID Code	W.P.	G	L	B	S	M	Weight	Body	Ball	Seat	Seals	
6	BK3 7/16 UNF 316	2601380000	500	7/16" UNF	69	13	34,5	13,5	0,55	4	4	2	A	FULL BORE
10	BK3 9/16 UNF 316	2601380100	500	9/16" UNF	72	16	36	17,5	0,77	4	4	2	A	FULL BORE
13	BK3 3/4 UNF 316	2601380200	500	3/4" UNF	83	17,5	39,5	19	0,9	4	4	2	A	FULL BORE
20	BK3 1.1/16 UN 316	2601380300	315	1.1/16" UN	95	24,5	47,5	24,5	1,95	4	4	2	A	FULL BORE
25	BK3 1.5/16 UN 316	2601380400	315	1.5/16" UN	113	29	56,5	29,5	2,8	4	4	2	A	FULL BORE
32	BK3 1.5/8 UN 316	2601380500	350	1.5/8" UN	111	39	60	39	7,0	4	4	2	A	FULL BORE
40	BK3 1.7/8 UN 316	2601380700	350	1.7/8" UN	130	53	70	53	10,5	4	4	2	A	FULL BORE
50	BK3 2.1/2 UN 316	2601380800	350	2.1/2" UN	150	58	75	58	14,5	4	4	2	A	FULL BORE

Contact GS-Hydro for other material combinations, see also page 3.

Ball valves – high pressure, stainless steel



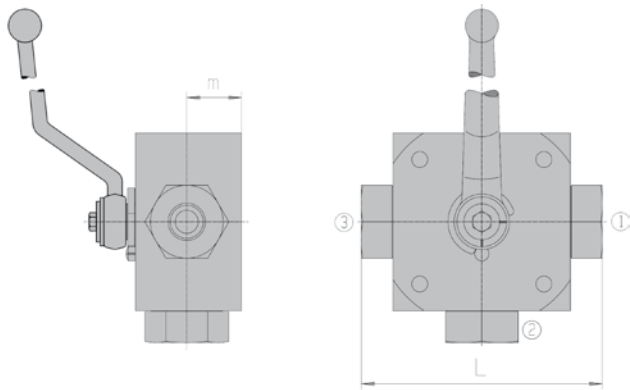
Pressure inlet only from the port in the middle.
 Standard valve delivered with L-bore.
 For T-bore, please add T to the Part No.

BK3 ISO 8434-1 (DIN 2353)

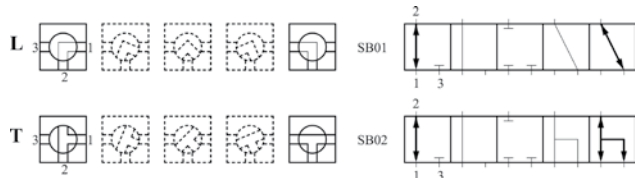
	DN	Stainless steel		Data								Material				Flow
		Part No	ID Code	W.P.*	G	L	l2	B	S	M	Weight	Body	Ball	Seat	Seals	
LIGHT SERIES	4	BK3K 06 L 316	2601382000	500	DIN 06L	67	53	13	34,5	13,5	0,5	4	4	2	A	FULL BORE
	6	BK3K 08 L 316	2601382100	500	DIN 08L	67	53	13	34,5	13,5	0,52	4	4	2	A	FULL BORE
	8	BK3K 10 L 316	2601382200	500	DIN 10L	74	60	13	34,5	13,5	0,54	4	4	2	A	FULL BORE
	10	BK3K 12 L 316	2601382300	400	DIN 12L	74	60	16	36	17,5	0,73	4	4	2	A	FULL BORE
	13	BK3K 15 L 316	2601382400	400	DIN 15L	82	68	17,5	39,5	19	0,85	4	4	2	A	FULL BORE
	13	BK3K 18 L 316	2601382500	250	DIN 18L	82	67	17,5	39,5	19	0,89	4	4	2	A	FULL BORE
	20	BK3K 22 L 316	2601382700	250	DIN 22L	101	86	24,5	47,5	24,5	1,87	4	4	2	A	FULL BORE
	25	BK3K 28 L 316	2601382800	250	DIN 28L	108	93	29	56,5	29,5	2,45	4	4	2	A	FULL BORE
	25	BK3K 35 L 316	2601382900	250	DIN 35L	112	91	29	57	29,5	2,9	4	4	2	A	RED. BORE
S-SERIES	4	BK3K 08 S 316	2601384000	500	DIN 08S	73	59	13	34,5	13,5	0,52	4	4	2	A	FULL BORE
	6	BK3K 10 S 316	2601384100	500	DIN 10S	73	58	13	34,5	13,5	0,54	4	4	2	A	FULL BORE
	8	BK3K 12 S 316	2601384200	500	DIN 12S	76	61	13	34,5	13,5	0,56	4	4	2	A	FULL BORE
	10	BK3K 14 S 316	2601384300	500	DIN 14S	80	64	16	36	17,5	0,73	4	4	2	A	FULL BORE
	13	BK3K 16 S 316	2601384400	500	DIN 16S	86	69	17,5	39,5	19	0,86	4	4	2	A	FULL BORE
	13	BK3K 20 S 316	2601384500	500	DIN 20S	90	69	17,5	39,5	19	0,94	4	4	2	A	FULL BORE
	20	BK3K 25 S 316	2601384700	315	DIN 25S	109	85	24,5	47,5	24,5	1,95	4	4	2	A	FULL BORE
	25	BK3K 30 S 316	2601384800	315	DIN 30S	120	93	29	56,5	29,5	2,65	4	4	2	A	FULL BORE
	25	BK3K 38 S 316	2601384900	315	DIN 38S	124	92	29	57	29,5	3,1	4	4	2	A	RED. BORE

*) Light series fittings W.P. limited by fitting, GS-Hydro fittings only.
 Contact GS-Hydro for other material combinations, see also page 3.

Ball valves – high pressure



TRUNNION



Other available connections:

- NPT
- UN(F)
- DIN 2353 / ISO 8434-1 L & S series

Standard valve delivered with L-bore. For T-bore, please add T to the Part No.

3KH, steel

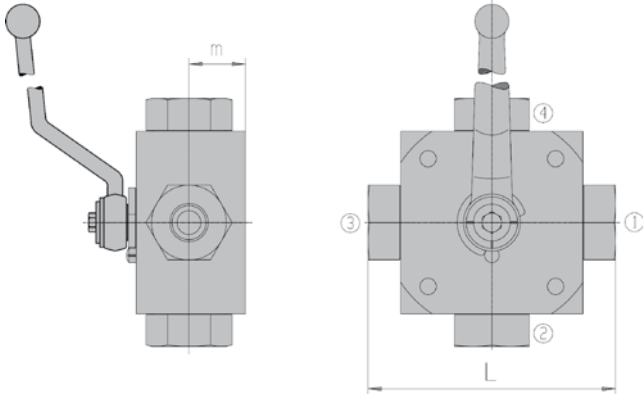
DN	Carbon steel		Data					Material				Flow
	Part No	ID Code	W.P.	G	L	M	Weight	Body	Ball	Seat	Seals	
4	3KH 1/8 R	2603410000	500	1/8" BSP	100	22	1,6	1	1	2	A	FULL BORE
6	3KH 1/4 R	2603410100	500	1/4" BSP	100	22	1,6	1	1	2	A	FULL BORE
10	3KH 3/8 R	2603410200	500	3/8" BSP	115	27	2,7	1	1	2	A	FULL BORE
13	3KH 1/2 R	2603410300	400	1/2" BSP	136	31	4,9	1	1	2	A	FULL BORE
20	3KH 3/4 R	2603410400	315	3/4" BSP	154	36,5	6,7	1	1	2	A	FULL BORE
25	3KH 1 R	2603410500	315	1" BSP	172	47,5	8,3	1	1	2	A	FULL BORE
25	3KH 1 1/4 R	2603410700	315	1.1/4" BSP	180	47,5	8,5	1	1	2	A	RED. BORE
25	3KH 1 1/2 R	2603410800	250	1.1/2" BSP	180	47,5	8,5	1	1	2	A	RED. BORE

3KH, stainless steel

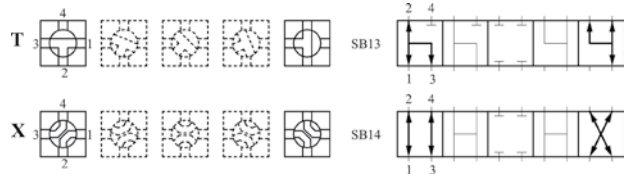
DN	Stainless steel		Data					Material				Flow
	Part No	ID Code	W.P.	G	L	M	Weight	Body	Ball	Seat	Seals	
4	3KH 1/8 R 316	2601410000	500	1/8" NPT	100	22	1,6	4	4	2	A	FULL BORE
6	3KH 1/4 R 316	2601410100	500	1/4" NPT	100	22	1,6	4	4	2	A	FULL BORE
10	3KH 3/8 R 316	2601410200	500	3/8" NPT	115	27	2,7	4	4	2	A	FULL BORE
13	3KH 1/2 R 316	2601410300	400	1/2" NPT	136	31	4,9	4	4	2	A	FULL BORE
20	3KH 3/4 R 316	2601410400	315	3/4" NPT	154	36,5	6,7	4	4	2	A	FULL BORE
25	3KH 1 R 316	2601410500	315	1" NPT	172	47,5	8,3	4	4	2	A	FULL BORE
25	3KH 1 1/4 R 316	2601410700	315	1.1/4" NPT	180	47,5	8,5	4	4	2	A	RED. BORE
25	3KH 1 1/2 R 316	2601410800	250	1.1/2" NPT	180	47,5	8,5	4	4	2	A	RED. BORE

Contact GS-Hydro for other material combinations, see also page 3.

Ball valves – high pressure



TRUNNION



Other available connections:

- NPT
- UN(F)
- DIN 2353 / ISO 8434-1 L & S series

Standard valve delivered with T-bore. For X-bore, please add X to the Part No.

4KH, steel

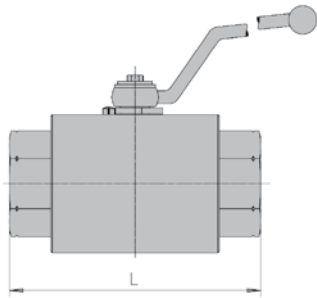
DN	Carbon steel		Data					Material				Flow
	Part No	ID Code	W.P.	G	L	M	Weight	Body	Ball	Seat	Seals	
4	4KH 1/8 R	2603420000	500	1/8" BSP	100	22	1,6	1	1	2	A	FULL BORE
6	4KH 1/4 R	2603420100	500	1/4" BSP	100	22	1,6	1	1	2	A	FULL BORE
10	4KH 3/8 R	2603420200	500	3/8" BSP	115	27	2,8	1	1	2	A	FULL BORE
13	4KH 1/2 R	2603420300	400	1/2" BSP	136	31	4,9	1	1	2	A	FULL BORE
20	4KH 3/4 R	2603420400	315	3/4" BSP	154	36,5	6,8	1	1	2	A	FULL BORE
25	4KH 1 R	2603420500	315	1" BSP	172	47,5	8,5	1	1	2	A	FULL BORE
25	4KH 1 1/4 R	2603420700	315	1.1/4" BSP	180	47,5	8,8	1	1	2	A	RED. BORE
25	4KH 1 1/2 R	2603420800	250	1.1/2" BSP	180	47,5	8,8	1	1	2	A	RED. BORE

4KH, stainless steel

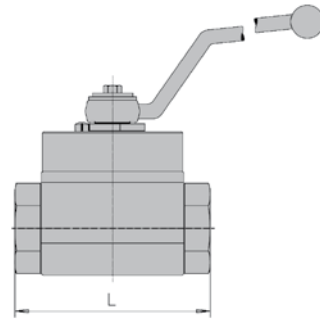
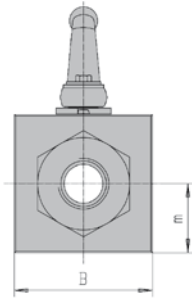
DN	Stainless steel		Data					Material				Flow
	Part No	ID Code	W.P.	G	L	M	Weight	Body	Ball	Seat	Seals	
4	4KH 1/8 R 316	2601420000	500	1/8" NPT	100	22	1,6	4	4	2	A	FULL BORE
6	4KH 1/4 R 316	2601420100	500	1/4" NPT	100	22	1,6	4	4	2	A	FULL BORE
10	4KH 3/8 R 316	2601420200	500	3/8" NPT	115	27	2,8	4	4	2	A	FULL BORE
13	4KH 1/2 R 316	2601420300	400	1/2" NPT	136	31	4,9	4	4	2	A	FULL BORE
20	4KH 3/4 R 316	2601420400	315	3/4" NPT	154	36,5	6,8	4	4	2	A	FULL BORE
25	4KH 1 R 316	2601420500	315	1" NPT	172	47,5	8,5	4	4	2	A	FULL BORE
25	4KH 1 1/4 R 316	2601420700	315	1.1/4" NPT	180	47,5	8,8	4	4	2	A	RED. BORE
25	4KH 1 1/2 R 316	2601420800	250	1.1/2" NPT	180	47,5	8,8	4	4	2	A	RED. BORE

Contact GS-Hydro for other material combinations, see also page 3.

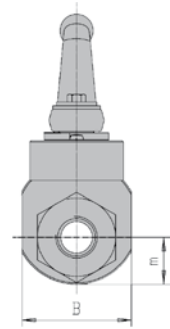
Ball valves – high pressure



800 bar



High temperature



800 bar

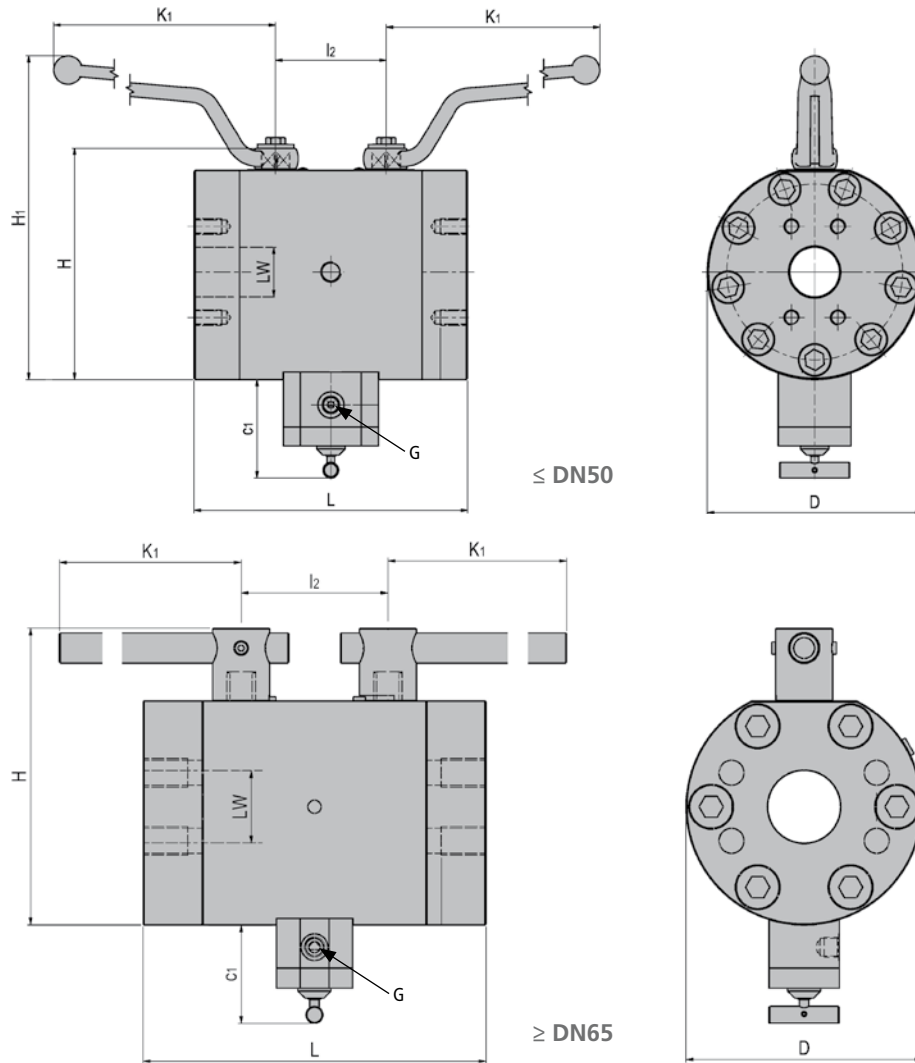
	DN	Carbon steel		Data						Material				Flow
		Part No	ID Code	W.P.	G	L	B	M	Weight	Body	Ball	Seat	Seals	
NPT	6	BKHP800 1/4 NPT	2603021000	800	1/4" NPT	130	50	25	1,92	8	1	b	A	FULL BORE
	10	BKHP800 3/8 NPT	2603021100	800	3/8" NPT	130	50	25	1,85	8	1	b	A	FULL BORE
	13	BKHP800 1/2 NPT	2603021200	800	1/2" NPT	130	50	25	1,79	8	1	b	A	FULL BORE
	20	BKHP800 3/4 NPT	2603021300	800	3/4" NPT	161	90	45	7,83	8	1	b	A	FULL BORE
	25	BKHP800 1 NPT	2603021400	800	1" NPT	164	90	45	7,68	8	1	b	A	FULL BORE
HEAVY SERIES	4	BKHP 800 08 S	2603505000	800	DIN 08S	110	50	25	1,6	8	1	b	A	FULL BORE
	6	BKHP 800 10 S	2603505100	800	DIN 10S	114	50	25	1,6	8	1	b	A	FULL BORE
	8	BKHP 800 12 S	2603505200	800	DIN 12S	114	50	25	1,64	8	1	b	A	FULL BORE
	10	BKHP 800 14 S	2603505300	800	DIN 14S	114	50	25	1,56	8	1	b	A	FULL BORE
	13	BKHP 800 16 S	2603505400	800	DIN 16S	114	50	25	1,58	8	1	b	A	FULL BORE
	13	BKHP 800 20 S	2603505500	800	DIN 20S	118	50	25	1,63	8	1	b	A	FULL BORE
	20	BKHP 800 25 S	2603505600	800	DIN 25S	162	90	45	7,31	8	1	b	A	FULL BORE
25	BKHP 800 30 S	2603505700	800	DIN 30S	166	90	45	7,4	8	1	b	A	FULL BORE	

High temperature, max. +500°C

DN	Stainless steel		Data						Material				Flow
	Part No	ID Code	W.P.	G	L	B	M	Weight	Body	Ball	Seat	Seals	
4	MKHT 500 1/8 R	2603940000	160	1/8" BSP	90	50	17	1,9	4	4	F	d	FULL BORE
6	MKHT 500 1/4 R	2603940100	160	1/4" BSP	90	50	17	1,9	4	4	F	d	FULL BORE
10	MKHT 500 3/8 R	2603940200	160	3/8" BSP	95	55	21	2,4	4	4	F	d	FULL BORE
16	MKHT 500 1/2 R	2603940300	160	1/2" BSP	110	70	27,5	4,1	4	4	F	d	FULL BORE
20	MKHT 500 3/4 R	2603940400	160	3/4" BSP	125	70	30	4,7	4	4	F	d	FULL BORE
25	MKHT 500 1 R	2603940500	160	1" BSP	140	80	35,5	6,4	4	4	F	d	FULL BORE
32	MKHT 500 1 1/4 R	2603940600	160	1.1/4" BSP	170	100	41,5	10,8	4	4	F	d	FULL BORE
40	MKHT 500 1 1/2 R	2603940700	160	1.1/2" BSP	180	120	55	15	4	4	F	d	FULL BORE
59	MKHT 500 2 R	2603940800	160	2" BSP	190	130	60,5	19	4	4	F	d	FULL BORE

Contact GS-Hydro for other material combinations, see also page 3.

Ball valves – high pressure



Double safety and bleed valve – Carbon steel

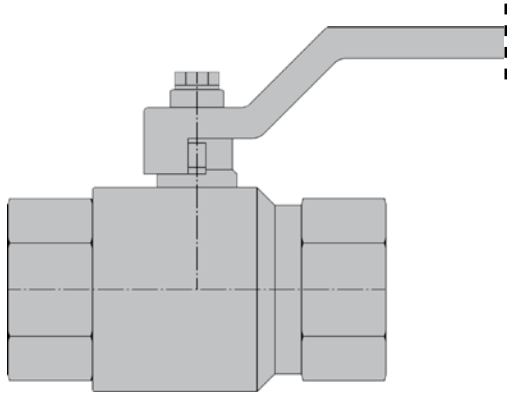
DN	Carbon steel		Data											Material				Flow
	Part No	ID Code	W.P.	LW	L	H	H1	D	K1	l2	C1 min	C1 max	G	Body	Ball	Seat	Seals	
20	DSB SAE210-20	2603950000	210	20	165	105	156	108	170	75	71,6	74,1	G1/4	1	1	2	A	FULL BORE
25	DSB SAE210-25	2603950050	210	25	180	118	169	128	170	80	72,1	74,6	G1/4	1	1	2	A	FULL BORE
40	DSB SAE210-40	2603950100	210	38	210	178	249	165	306	85	73,1	75,6	G1/4	1	1	2	A	FULL BORE
50	DSB SAE210-50	2603950150	210	48	225	214	285	205	306	93	73,1	75,6	G1/4	1	1	2	A	FULL BORE
40	DSB SAE420-40	2603950200	420	38	210	178	249	165	306	85	73,1	75,6	G1/4	1	1	2	A	FULL BORE
50	DSB SAE420-50	2603950250	420	45	225	214	285	205	306	93	73,1	75,6	G1/4	1	1	2	A	FULL BORE
65	DSB SAE420-65	2603950300	420	65	340	275	-	218	600	143	97,5	103,3	G1/2	1	1	2	A	FULL BORE
80	DSB SAE420-80	2603950350	420	76	360	307	-	248	600	154	97,5	103,3	G1/2	1	1	2	A	FULL BORE

Double safety and bleed valve – Stainless steel

DN	Stainless steel		Data											Material				Flow
	Part No	ID Code	W.P.	LW	L	H	H1	D	K1	l2	C1 min	C1 max	G	Body	Ball	Seat	Seals	
20	DSB SAE210-20 316	2601530000	210	20	165	105	156	108	170	75	71,6	74,1	G1/4	4	4	2	A	FULL BORE
25	DSB SAE210-25 316	2601530050	210	25	180	118	169	128	170	80	72,1	74,6	G1/4	4	4	2	A	FULL BORE
40	DSB SAE210-40 316	2601530100	210	38	210	178	249	165	306	85	73,1	75,6	G1/4	4	4	2	A	FULL BORE
50	DSB SAE210-50 316	2601530150	210	48	225	214	285	205	306	93	73,1	75,6	G1/4	4	4	2	A	FULL BORE
40	DSB SAE420-40 316	2601530200	420	38	210	178	249	165	306	85	73,1	75,6	G1/4	4	4	2	A	FULL BORE
50	DSB SAE420-50 316	2601530250	420	45	225	214	285	205	306	93	73,1	75,6	G1/4	4	4	2	A	FULL BORE
65	DSB SAE420-65 316	2601530300	420	65	340	275	-	218	600	143	97,5	103,3	G1/2	4	4	2	A	FULL BORE
80	DSB SAE420-80 316	2601530350	420	76	360	307	-	248	600	154	97,5	103,3	G1/2	4	4	2	A	FULL BORE

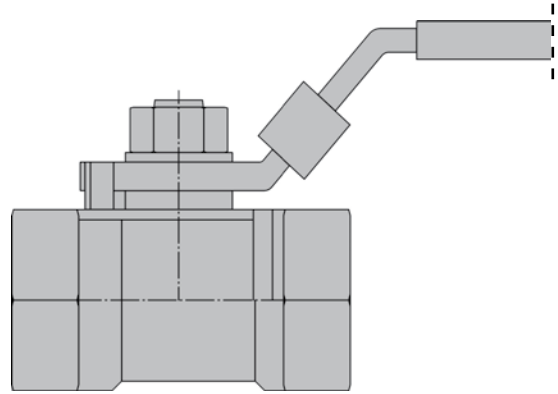
Contact GS-Hydro for other material combinations, see also page 3.

Ball valves – low pressure



52

- Female/female threads.
- Lever handle in steel, body in nickel-plated brass.
- Min. and max. working temperatures: -20°C, 150°C.
- Threads: ISO 7/1 Rp parallel (equivalent to DIN EN 10226-1 and BS EN 10226-1).



GS1

- Female/female threads.
- Lever handle and body in stainless steel, PTFE seals.
- Min. and max. working temperatures: -40°C, 200°C.
- Threads: ISO 228/1 & ISO 7/1 Rp parallel

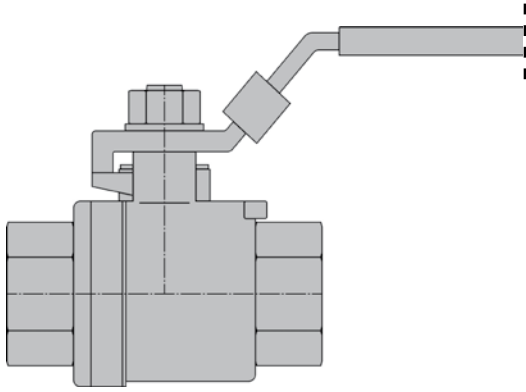
52, Brass ball valve

DN	Part No	ID Code	W.P. [bar]	G	Flow
8	52 1/4 R	2602030000	50	1/4" BSP	FULL BORE
10	52 3/8 R	2602030500	50	3/8" BSP	FULL BORE
15	52 1/2 R	2602031000	50	1/2" BSP	FULL BORE
20	52 3/4 R	2602031500	40	3/4" BSP	FULL BORE
25	52 1 R	2602032000	40	1" BSP	FULL BORE
32	52 1 1/4 R	2602032500	30	1 1/4" BSP	FULL BORE
40	52 1 1/2 R	2602033000	30	1 1/2" BSP	FULL BORE
50	52 2 R	2602033500	25	2" BSP	FULL BORE

GS1, Stainless steel ball valve

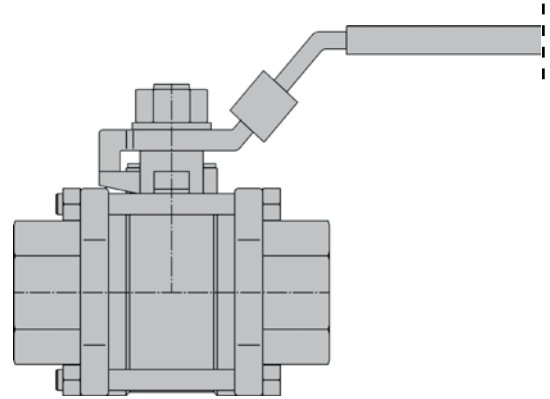
DN	Part No	ID Code	W.P. [bar]	G	Flow
8	GS 11/4 R 316	2602001200	63	1/4" BSP	REDUCED BORE
10	GS 13/8 R 316	2602002600	63	3/8" BSP	REDUCED BORE
15	GS 11/2 R 316	2602001000	63	1/2" BSP	REDUCED BORE

Ball valves – low pressure



GS2

- Female/female threads, body in two pieces.
- Lever handle and body in stainless steel, PTFE seals
- Min. and max. working temperatures: -40°C, 200°C.
- Threads: ISO 228/1 & ISO 7/1 Rp parallel



GS3

- Female/female threads, body in three pieces.
- Lever handle and body in stainless steel, PTFE seals
- Min. and max. working temperatures: -40°C, 200°C.
- Threads: ISO 228/1 & ISO 7/1 Rp parallel
- Also available with Welding Hubs.

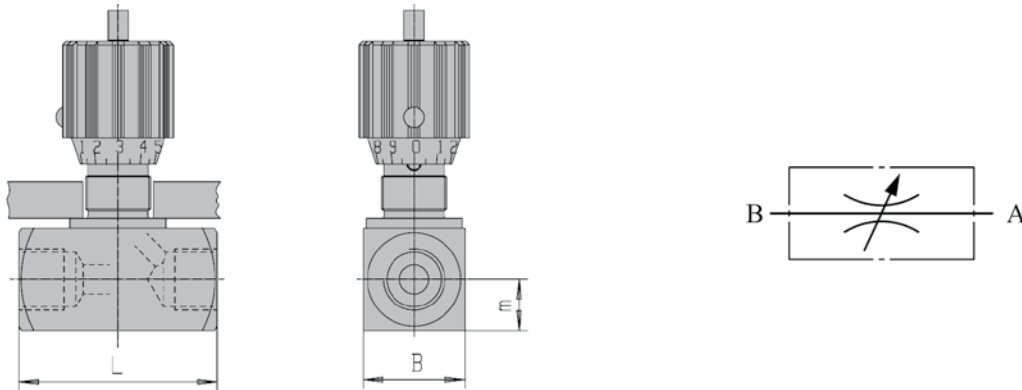
GS2, Stainless steel ball valve

DN	Part No	ID Code	W.P. [bar]	G	Flow
8	GS2 1/4 R 316	2602010000	140	1/4" BSP	FULL BORE
10	GS2 3/8 R 316	2602010500	140	3/8" BSP	FULL BORE
15	GS2 1/2 R 316	2602011000	140	1/2" BSP	FULL BORE
20	GS2 3/4 R 316	2602011500	140	3/4" BSP	FULL BORE
25	GS2 1 R 316	2602012000	140	1" BSP	FULL BORE
32	GS2 1 1/4 R 316	2602012200	100	1 1/4" BSP	FULL BORE
40	GS2 1 1/2 R 316	2602013000	100	1 1/2" BSP	FULL BORE
50	GS2 2 R 316	2602013500	100	2" BSP	FULL BORE

GS3, Stainless steel ball valve

DN	Part No	ID Code	W.P. [bar]	G	Flow
8	GS3 1/4 R 316	2602020000	63	1/4" BSP	FULL BORE
10	GS3 3/8 R 316	2602020100	63	3/8" BSP	FULL BORE
15	GS3 1/2 R 316	2602020200	63	1/2" BSP	FULL BORE
20	GS3 3/4 R 316	2602020300	63	3/4" BSP	FULL BORE
25	GS3 1 R 316	2602020400	63	1" BSP	FULL BORE
32	GS3 1 1/4 R 316	2602020500	63	1 1/4" BSP	FULL BORE
40	GS3 1 1/2 R 316	2602020600	63	1 1/2" BSP	FULL BORE
50	GS3 2 R 316	2602020700	63	2" BSP	FULL BORE
65	GS3 2 1/2 R 316	2602020800	63	2 1/2" BSP	FULL BORE
80	GS3 3 R 316	2602020900	63	3" BSP	FULL BORE

Needle valves



NDV

NDV with BSP

DN	Carbon steel		Material		Stainless Steel		Material		Data					
	Part No	ID Code	Body	Seals	Part No	ID Code	Body	Seals	W.P.	G	L	B	M	Weight
6	NDV 1/8 R	2603511000	1	A	NDV 1/8 R 316	2601511000	4	A	350	1/8" BSP	38	16	8	0,12
8	NDV 1/4 R	2603511100	1	A	NDV 1/4 R 316	2601511100	4	A	350	1/4" BSP	48	25	12,5	0,25
10	NDV 3/8 R	2603511200	1	A	NDV 3/8 R 316	2601511200	4	A	350	3/8" BSP	58	30	15	0,4
12	NDV 1/2 R	2603511300	1	A	NDV 1/2 R 316	2601511300	4	A	350	1/2" BSP	68	35	17,5	0,6
16	NDV 3/4 R	2603511400	1	A	NDV 3/4 R 316	2601511400	4	A	350	3/4" BSP	78	45	22,5	1,1
20	NDV 1 R	2603511500	1	A	NDV 1 R 316	2601511500	4	A	350	1" BSP	108	50	25	2,4
25	NDV 1 1/4 R	2603511600	1	A	NDV 1 1/4 R 316	2601511600	4	A	350	1 1/4" BSP	108	60	30	2,8
30	NDV 1 1/2 R	2603511700	1	A	NDV 1 1/2 R 316	2601511700	4	A	350	1 1/2" BSP	108	70	35	3,5
40	NDV 2 R	2603511800	1	A	NDV 2 R 316	2601511800	4	A	350	2" BSP	120	90	45	6,24

NDV with NPT

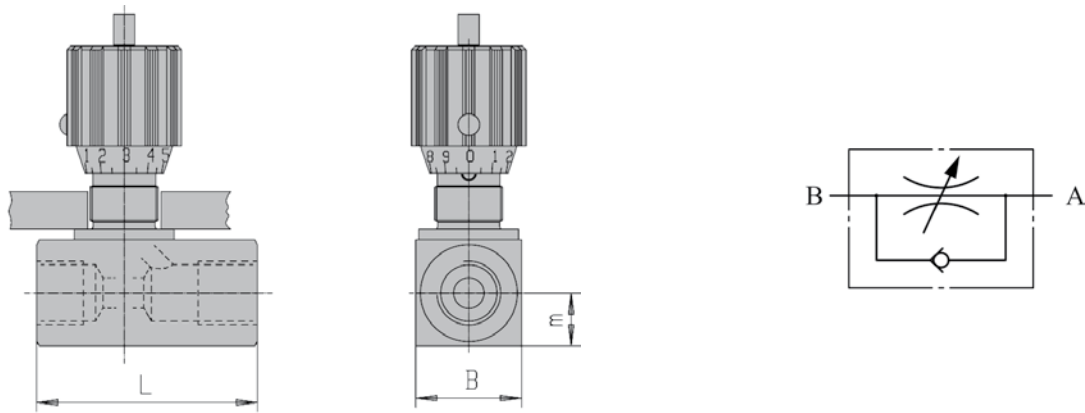
DN	Carbon steel		Material		Stainless Steel		Material		Data					
	Part No	ID Code	Body	Seals	Part No	ID Code	Body	Seals	W.P.	G	L	B	M	Weight
6	NDV 1/8 NPT	2603513000	1	A	NDV 1/8 NPT 316	2601513000	4	A	350	1/8" NPT	38	16	8	0,12
8	NDV 1/4 NPT	2603513100	1	A	NDV 1/4 NPT 316	2601513100	4	A	350	1/4" NPT	48	25	12,5	0,25
10	NDV 3/8 NPT	2603513200	1	A	NDV 3/8 NPT 316	2601513200	4	A	350	3/8" NPT	58	30	15	0,4
12	NDV 1/2 NPT	2603513300	1	A	NDV 1/2 NPT 316	2601513300	4	A	350	1/2" NPT	68	35	17,5	0,6
16	NDV 3/4 NPT	2603513400	1	A	NDV 3/4 NPT 316	2601513400	4	A	350	3/4" NPT	78	45	22,5	1,1
20	NDV 1 NPT	2603513500	1	A	NDV 1 NPT 316	2601513500	4	A	350	1" NPT	108	50	25	2,4
25	NDV 1 1/4 NPT	2603513600	1	A	NDV 1 1/4 NPT 316	2601513600	4	A	350	1 1/4" NPT	108	60	30	2,8
30	NDV 1 1/2 NPT	2603513700	1	A	NDV 1 1/2 NPT 316	2601513700	4	A	350	1 1/2" NPT	108	70	35	3,5
40	NDV 2 NPT	2603513800	1	A	NDV 2 NPT 316	2601513800	4	A	350	2" NPT	120	90	45	6,3

NDV with UNF

DN	Carbon steel		Material		Stainless Steel		Material		Data					
	Part No	ID Code	Body	Seals	Part No	ID Code	Body	Seals	W.P.	G	L	B	M	Weight
8	NDV 7/16 UNF	2603512000	1	A	NDV 7/16 UNF 316	2601512000	4	A	350	1/4" UNF	48	25	12,5	0,28
10	NDV 9/16 UNF	2603512100	1	A	NDV 9/16 UNF 316	2601512100	4	A	350	3/8" UNF	58	30	15	0,42
12	NDV 3/4 UNF	2603512200	1	A	NDV 3/4 UNF 316	2601512200	4	A	350	1/2" UNF	68	35	17,5	0,69
16	NDV 1.1/16 UN	2603512300	1	A	NDV 1.1/16 UN 316	2601512300	4	A	350	3/4" UNF	78	45	22,5	1,14
20	NDV 1.5/16 UN	2603512400	1	A	NDV 1.5/16 UN 316	2601512400	4	A	350	1" UNF	108	50	25	2,19
25	NDV 1.5/8 UN	2603512500	1	A	NDV 1.5/8 UN 316	2601512500	4	A	350	1 1/4" UNF	108	60	30	2,89
30	NDV 1.7/8 UN	2603512600	1	A	NDV 1.7/8 UN 316	2601512600	4	A	350	1 1/2" UNF	108	70	35	3,7
40	NDV 2.1/2 UN	2603512700	1	A	NDV 2.1/2 UN 316	2601512700	4	A	350	2" UNF	120	90	45	6,3

Contact GS-Hydro for other material combinations.

Needle valves



NDRV

NDRV with BSP

DN	Carbon steel		Material		Stainless Steel		Material		Data					
	Part No	ID Code	Body	Seals	Part No	ID Code	Body	Seals	W.P.	G	L	B	M	Weight
6	NDRV 1/8 R	2603514000	1	A	NDRV 1/8 R 316	2601514000	4	A	350	1/8" BSP	45	16	8	0,1
8	NDRV 1/4 R	2603514100	1	A	NDRV 1/4 R 316	2601514100	4	A	350	1/4" BSP	55	25	12,5	0,3
10	NDRV 3/8 R	2603514200	1	A	NDRV 3/8 R 316	2601514200	4	A	350	3/8" BSP	65	30	15	0,45
12	NDRV 1/2 R	2603514300	1	A	NDRV 1/2 R 316	2601514300	4	A	350	1/2" BSP	73	35	17,5	0,7
16	NDRV 3/4 R	2603514400	1	A	NDRV 3/4 R 316	2601514400	4	A	350	3/4" BSP	88	45	22,5	1,26
20	NDRV 1 R	2603514500	1	A	NDRV 1 R 316	2601514500	4	A	350	1" BSP	127	50	25	2,6
25	NDRV 1 1/4 R	2603514600	1	A	NDRV 1 1/4 R 316	2601514600	4	A	350	1.1/4" BSP	143	60	30	3,7
30	NDRV 1 1/2 R	2603514700	1	A	NDRV 1 1/2 R 316	2601514700	4	A	350	1.1/2" BSP	143	70	35	4,76
40	NDRV 2 R	2603514800	1	A	NDRV 2 R 316	2601514800	4	A	350	2" BSP	165	90	45	8,52

NDRV with NPT

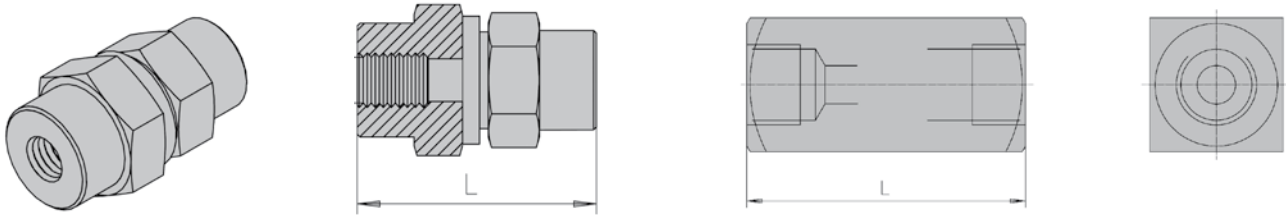
DN	Carbon steel		Material		Stainless Steel		Material		Data					
	Part No	ID Code	Body	Seals	Part No	ID Code	Body	Seals	W.P.	G	L	B	M	Weight
6	NDRV 1/8 NPT	2603516000	1	A	NDRV 1/8 NPT 316	2601516000	4	A	350	1/8" NPT	45	16	8	0,1
8	NDRV 1/4 NPT	2603516100	1	A	NDRV 1/4 NPT 316	2601516100	4	A	350	1/4" NPT	55	25	12,5	0,3
10	NDRV 3/8 NPT	2603516200	1	A	NDRV 3/8 NPT 316	2601516200	4	A	350	3/8" NPT	65	30	15	0,45
12	NDRV 1/2 NPT	2603516300	1	A	NDRV 1/2 NPT 316	2601516300	4	A	350	1/2" NPT	73	35	17,5	0,7
16	NDRV 3/4 NPT	2603516400	1	A	NDRV 3/4 NPT 316	2601516400	4	A	350	3/4" NPT	88	45	22,5	1,26
20	NDRV 1 NPT	2603516500	1	A	NDRV 1 NPT 316	2601516500	4	A	350	1" NPT	127	50	25	2,6
25	NDRV 1 1/4 NPT	2603516600	1	A	NDRV 1 1/4 NPT 316	2601516600	4	A	350	1.1/4" NPT	143	60	30	3,7
30	NDRV 1 1/2 NPT	2603516700	1	A	NDRV 1 1/2 NPT 316	2601516700	4	A	350	1.1/2" NPT	143	70	35	4,76
40	NDRV 2 NPT	2603516800	1	A	NDRV 2 NPT 316	2601516800	4	A	350	2" NPT	165	90	45	8,52

NDRV with UNF

DN	Carbon steel		Material		Stainless Steel		Material		Data					
	Part No	ID Code	Body	Seals	Part No	ID Code	Body	Seals	W.P.	G	L	B	M	Weight
8	NDRV 7/16 UNF	2603518000	1	A	NDRV 7/16 UNF 316	2601518000	4	A	350	1/4" UNF	54,5	25	12,5	0,3
10	NDRV 9/16 UNF	2603518100	1	A	NDRV 9/16 UNF 316	2601518100	4	A	350	3/8" UNF	65	30	15	0,46
12	NDRV 3/4 UNF	2603518200	1	A	NDRV 3/4 UNF 316	2601518200	4	A	350	1/2" UNF	73	35	17,5	0,72
16	NDRV 1.1/16 UN	2603518300	1	A	NDRV 1.1/16 UN 316	2601518300	4	A	350	3/4" UNF	97,5	45	22,5	1,37
20	NDRV 1.5/16 UN	2603518400	1	A	NDRV 1.5/16 UN 316	2601518400	4	A	350	1" UNF	127,5	50	25	2,66
25	NDRV 1.5/8 UN	2603518500	1	A	NDRV 1.5/8 UN 316	2601518500	4	A	350	1.1/4" UNF	141,5	60	30	2,86
30	NDRV 1.7/8 UN	2603518600	1	A	NDRV 1.7/8 UN 316	2601518600	4	A	350	1.1/2" UNF	139,5	70	35	4,45
40	NDRV 2.1/2 UN	2603518700	1	A	NDRV 2.1/2 UN 316	2601518700	4	A	350	2" UNF	165	90	45	8,03

Contact GS-Hydro for other material combinations.

Non return valves



RHDI

RV

BSP

DN	Carbon steel		Data				Material	Flow
	Part No	ID Code	W.P.	G	L	Weight	Body	
4	RHDI 1/8 R	2201540100	550	1/8" BSP	43		1	NON RETURN
6	RHDI 1/4 R	2201540200	550	1/4" BSP	51		1	NON RETURN
8	RHDI 3/8 R	2201540400	550	3/8" BSP	60		1	NON RETURN
12	RHDI 1/2 R	2201540600	550	1/2" BSP	73		1	NON RETURN
15	RHDI 3/4 R	2201540800	550	3/4" BSP	84		1	NON RETURN
19	RHDI 1 R	2201541000	550	1" BSP	95		1	NON RETURN
24	RHDI 1 1/4 R	2201541200	400	1.1/4" BSP	110		1	NON RETURN
30	RHDI 1 1/2 R	2201541400	360	1.1/2" BSP	114		1	NON RETURN

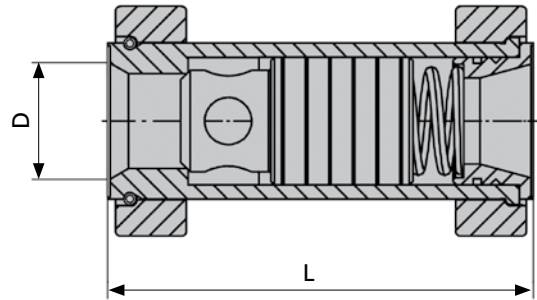
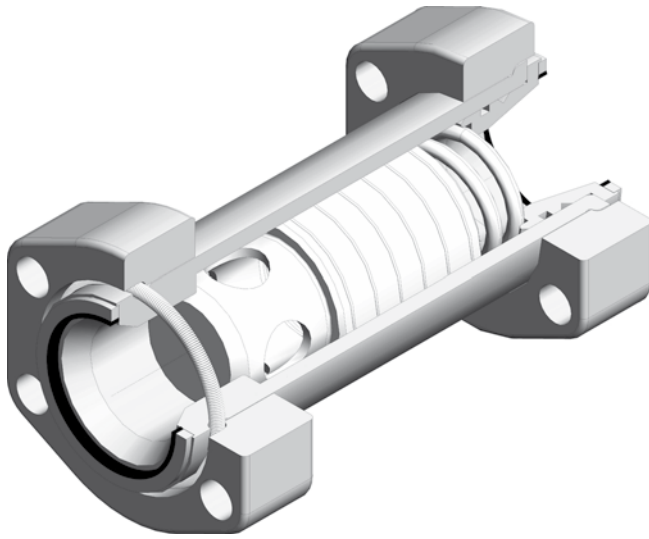
DN	Stainless steel		Data				Material	Flow
	Part No	ID Code	W.P.	G	L	Weight	Body	
4	RHDI 1/8 R 316	2202540200	400	1/8" BSP	43	0,079	4	NON RETURN
6	RHDI 1/4 R 316	2202540000	400	1/4" BSP	51	0,085	4	NON RETURN
8	RHDI 3/8 R 316	2202540400	400	3/8" BSP	60	0,163	4	NON RETURN
12	RHDI 1/2 R 316	2202540600	315	1/2" BSP	72	0,357	4	NON RETURN
15	RHDI 3/4 R 316	2202540800	250	3/4" BSP	84	0,674	4	NON RETURN
19	RHDI 1 R 316	2202541000	250	1" BSP	95	0,832	4	NON RETURN
24	RHDI 1 1/4 R 316	2202541200	250	1.1/4" BSP	110	1,596	4	NON RETURN
30	RHDI 1 1/2 R 316	2202541400	250	1.1/2" BSP	114	1,919	4	NON RETURN

DN	Carbon steel		Data				Material	Flow
	Part No	ID Code	W.P.	G	L	Weight	Body	
6	RV 1/8 R	2603520000	500	1/8" BSP	45	0,1	1	NON RETURN
8	RV 1/4 R	2603520100	500	1/4" BSP	55	0,2	1	NON RETURN
10	RV 3/8 R	2603520200	500	3/8" BSP	65	0,4	1	NON RETURN
12	RV 1/2 R	2603520300	500	1/2" BSP	73	0,7	1	NON RETURN
16	RV 3/4 R	2603520400	500	3/4" BSP	88	1,2	1	NON RETURN
20	RV 1 R	2603520500	500	1" BSP	127	2	1	NON RETURN
25	RV 1 1/4 R	2603520600	400	1.1/4" BSP	143	3,3	1	NON RETURN
30	RV 1 1/2 R	2603520700	350	1.1/2" BSP	143	4,2	1	NON RETURN
40	RV 2 R	2603520800	350	2" BSP	165	7,2	1	NON RETURN

DN	Stainless steel		Data				Material	Flow
	Part No	ID Code	W.P.	G	L	Weight	Body	
6	RV 1/8 R 316	2601520000	350	1/8" BSP	45	0,1	4	NON RETURN
8	RV 1/4 R 316	2601520100	350	1/4" BSP	55	0,2	4	NON RETURN
10	RV 3/8 R 316	2601520200	350	3/8" BSP	65	0,4	4	NON RETURN
12	RV 1/2 R 316	2601520300	350	1/2" BSP	73	0,7	4	NON RETURN
16	RV 3/4 R 316	2601520400	350	3/4" BSP	88	1,2	4	NON RETURN
20	RV 1 R 316	2601520500	350	1" BSP	127	2	4	NON RETURN
25	RV 1 1/4 R 316	2601520600	350	1.1/4" BSP	143	3,3	4	NON RETURN
30	RV 1 1/2 R 316	2601520700	350	1.1/2" BSP	143	4,2	4	NON RETURN
40	RV 2 R 316	2601520800	350	2" BSP	165	7,2	4	NON RETURN

RV non-return valve also available with NPT and UN(F) threads. Other materials available on request.

Non return valves



Non return valve with GS-flange connections SAE 3000 psi

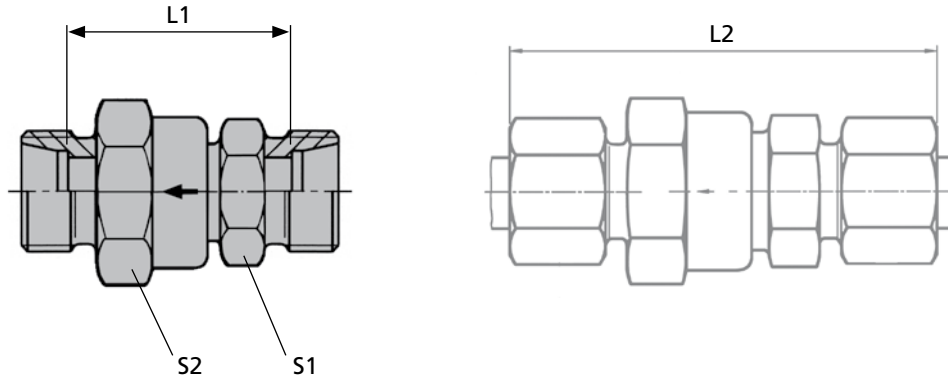
Size	Complete Part No	ID Code	W.P. [bar]	L	D	Weight [kg]
3/4"	312135	1912010000	350	100	21	1.3
1"	316135	1912011000	350	120	24	1.3
1 1/4"	320135	1912012000	280	140	31	2.0
1 1/2"	324135	1912013000	280	155	38	3.5
2"	332135	1912014000	280	180	49	4.4
2 1/2"	340135	1912014200	210	190	61	6.6
3"	348135	1912014400	210	200	73	9.6

Non return valve with GS-flange connections SAE 6000 psi

Size	Complete Part No	ID Code	W.P. [bar]	L	D	Weight [kg]
3/4"	612135	1912016000	420	100	21	1.30
1"	616135	1912017000	420	120	24	1.70
1 1/4"	620135	1912018000	420	140	31	2.70
1 1/2"	624135	1912019000	420	155	38	4.00
2"	632135	1912020000	420	180	49	6.70

Body material:
 Standard= carbon steel
 Stainless steel= add SS after Part No
 Standard opening pressure= 0.5 bar. On request 1.5 bar to 3 bar.

Non return valves

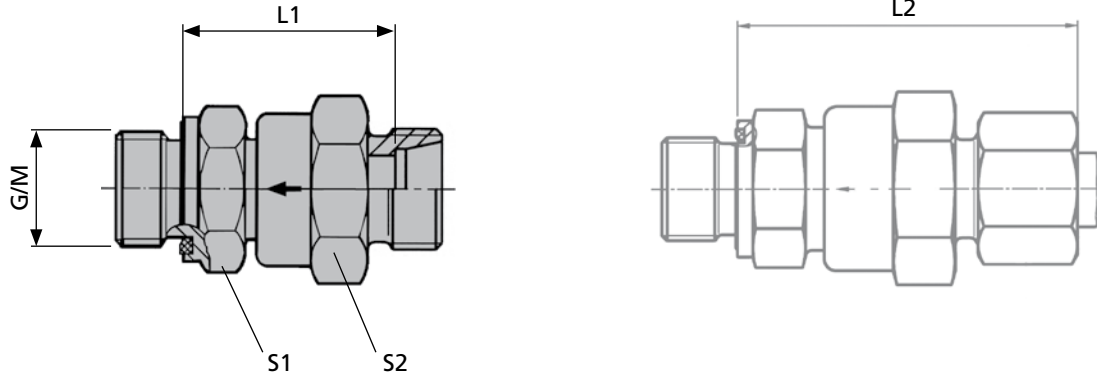


Non Return Valve With Tube Connections

Series	PN	Pipe O.D.	Part No	ID Code CS	ID Code SS	L1	L2	S1	S2
L	400	6	RHDK 06 L	2201600000	2202600000	38	67	22	27
	400	8	RHDK 08 L	2201601000	2202601000	38	67	22	27
	400	10	RHDK 10 L	2201602000	2202602000	38	67	22	27
	400	12	RHDK 12 L	2201603000	2202603000	39	68	22	27
	400	15	RHDK 15 L	2201604500	2202604500	44	74	27	32
	400	18	RHDK 18 L	2201605500	2202605500	48	80	27	32
	250	22	RHDK 22 L	2201606500	2202606500	60	92	41	46
	250	28	RHDK 28 L	2201607500	2202607500	66	99	41	46
	250	35	RHDK 35 L	2201608500	2202608500	71	114	60	70
	250	42	RHDK 42 L	2201619500	2202619500	65	101	60	70
S	400	6	RHDK 06 S	2201600500	2202600500	42	71	22	27
	400	8	RHDK 08 S	2201601500	2202601500	38	67	22	27
	400	10	RHDK 10 S	2201602500	2202602500	39	71	22	27
	400	12	RHDK 12 S	2201603500	2202603500	40	72	22	27
	400	14	RHDK 14 S	2201604000	2202604000	46	81	27	32
	400	16	RHDK 16 S	2201605000	2202605000	48	84	27	32
	400	20	RHDK 20 S	2201606000	2202606000	57	100	41	46
	250	25	RHDK 25 S	2201607000	2202607000	57	105	41	46
	250	30	RHDK 30 S	2201608000	2202608000	64	117	50	55
	250	38	RHDK 38 S	2201609000	2202609000	67	128	60	70

Openin pressure 1,0 bar (opening 0,5–3 bar available on request).
 CS= carbon steel with zinc plating
 SS= stainless steel. Add 316 to end of Part No
 All codes are valve body only. Nut and cutting ring must be ordered separately.

Non return valves

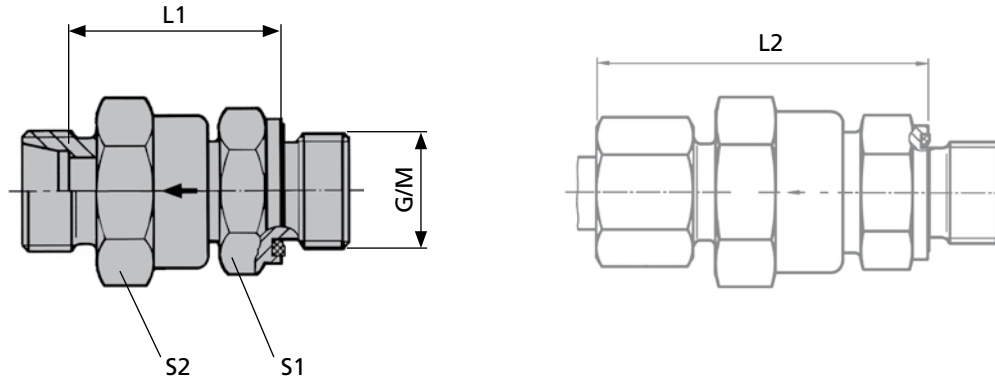


Non Return Valve With Male Stud With ED-sealing and Tube Connection

Series	Pipe O.D.	G thread with ED	PN	Part No	ID Code CS	L1	L2	S1	S2	
L	6	1/8	400	RHZK 06 LR ED	2201670000	36	50,5	22	27	
	8	1/4	400	RHZK 08 LR ED	2201672000	36	50,5	22	27	
	10	1/4	400	RHZK 10 LR ED	2201674000	34	48,5	22	27	
	12	3/8	400	RHZK 12 LR ED	2201676000	39	53,5	22	27	
	15	1/2	400	RHZK 15 LR ED	2201679000	41	56	27	32	
	18	1/2	400	RHZK 18 LR ED	2201684500	45,5	61,5	27	32	
	22	3/4	250	RHZK 22 LR ED	2201682500	53,5	69,5	41	46	
	28	1	250	RHZK 28 LR ED	2201685000	60,5	77	41	46	
	35	1 1/4	250	RHZK 35 LR ED	2201687000	67	88,5	60	70	
S	42	1 1/2	250	RHZK 42 LR ED	2201689000	64,5	87,5	60	70	
	6	1/4	400	RHZK 06 SR ED	2201671000	38	52,5	22	27	
	8	1/4	400	RHZK 08 SR ED	2201673000	36	50,5	22	27	
	10	3/8	400	RHZK 10 SR ED	2201675000	37,5	53,5	22	27	
	12	3/8	400	RHZK 12 SR ED	2201677000	39,5	55,5	22	27	
	14	1/2	400	RHZK 14 SR ED	2201677700	42	59,5	27	32	
	16	1/2	400	RHZK 16 SR ED	2201680000	44,5	62,5	27	32	
	20	3/4	400	RHZK 20 SR ED	2201682000	52,5	74	41	46	
	25	1	250	RHZK 25 SR ED	2201684000	53	77	41	46	
L	30	1 1/4	250	RHZK 30 SR ED	2201686000	60,5	87	50	55	
	38	1 1/2	250	RHZK 38 SR ED	2201687500	65,5	96	60	70	
	M thread with ED						L1	L2	S1	S2
	L	8	M 12x1,5	400	RHZK 08 LM ED	2201671500	36	50,5	22	27
		10	M 14x1,5	400	RHZK 10 LM ED	2201673500	34	48,5	22	27
		12	M 16x1,5	400	RHZK 12 LM ED	2201677600	39	53,5	22	27
		15	M 18x1,5	400	RHZK 15 LM ED	2201678500	41	56	27	32
		18	M 22x1,5	400	RHZK 18 LM ED	2201680500	45,5	61,5	27	32
		22	M 26x1,5	250	RHZK 22 LM ED	2201683000	53,5	69,5	41	46
28		M 33x2	250	RHZK 28 LM ED	2201684520	60,5	77	41	46	
S	35	M 42x2	250	RHZK 35 LM ED	2201686500	67	88,5	60	70	
	8	M 14x1,5	400	RHZK 08 SM ED	2201672500	36	50,5	22	27	
	10	M 16x1,5	400	RHZK 10 SM ED	2201674500	37,5	53,5	22	27	
	12	M 18x1,5	400	RHZK 12 SM ED	2201676500	39,5	55,5	22	27	
	16	M 22x1,5	400	RHZK 16 SM ED	2201679500	44,5	62,5	27	32	
	20	M 27x2	400	RHZK 20 SM ED	2201681500	52,5	74	41	46	
S	25	M 33x2	250	RHZK 25 SM ED	2201683500	53	77	41	46	
	38	M 48x2	250	RHZK 38 SM ED	2201687300	65,5	96	60	70	

Openin pressure 1,0 bar (opening 0,5–3 bar available on request).
 CS= carbon steel with zinc plating
 SS= stainless steel. Add 316 to end of Part No
 All codes are valve body only. Nut and cutting ring must be ordered separately.

Non return valves



Non Return Valve With Male Stud With ED-sealing and Tube Connection

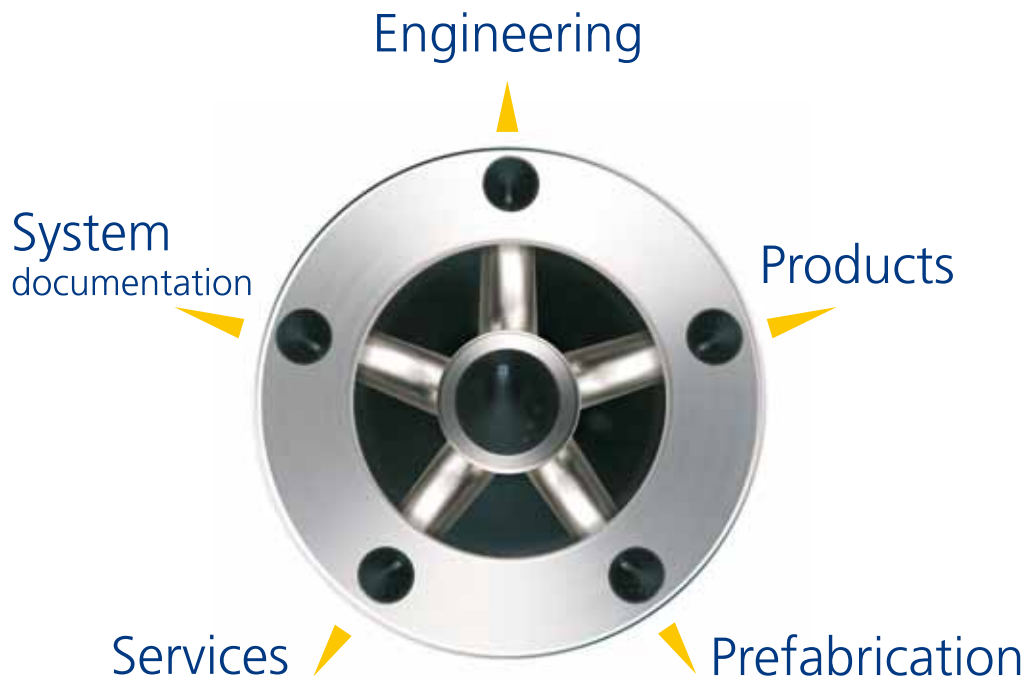
Series	Pipe O.D.	G thread with ED	PN	Part No	ID Code CS	L1	L2	S1	S2
L	6	1/8	400	RHVK 06 LR ED	2201960000	36	50,5	22	27
	8	1/4	400	RHVK 08 LR ED	2201632500	36	50,5	22	27
	10	1/4	400	RHVK 10 LR ED	2201634500	34	48,5	22	27
	12	3/8	400	RHVK 12 LR ED	2201636500	39	53,5	22	27
	15	1/2	400	RHVK 15 LR ED	2201639500	41	56	27	32
	18	1/2	400	RHVK 18 LR ED	2201641500	45,5	61,5	27	32
	22	3/4	250	RHVK 22 LR ED	2201643500	53,5	69,5	41	46
	28	1	250	RHVK 28 LR ED	2201645500	60,5	77	41	46
	35	1 1/4	250	RHVK 35 LR ED	2201647500	67	88,5	60	70
S	42	1 1/2	250	RHVK 42 LR ED	2201649500	64,5	87,5	60	70
	6	1/4	400	RHVK 06 SR ED	2201631000	38	52,5	22	27
	8	1/4	400	RHVK 08 SR ED	2201962800	36	50,5	22	27
	10	3/8	400	RHVK 10 SR ED	2201635500	37,5	53,5	22	27
	12	3/8	400	RHVK 12 SR ED	2201637500	39,5	55,5	22	27
	14	1/2	400	RHVK 14 SR ED	2201638100	42	59,5	27	32
	16	1/2	400	RHVK 16 SR ED	2201640500	44,5	62,5	27	32
	20	3/4	400	RHVK 20 SR ED	2201642500	52,5	74	41	46
	25	1	250	RHVK 25 SR ED	2201644500	53	77	41	46
	30	1 1/4	250	RHVK 30 SR ED	2201646500	60,5	87	50	55
		M thread with ED				L1	L2	S1	S2
L	8	M 12x1,5	400	RHVK 08 LM ED	2201961400	36	50,5	22	27
	10	M 14x1,5	400	RHVK 10 LM ED	2201634000	34	48,5	22	27
	12	M 16x1,5	400	RHVK 12 LM ED	2201636000	39	53,5	22	27
	15	M 18x1,5	400	RHVK 15 LM ED	2201639000	41	56	27	32
	18	M 22x1,5	400	RHVK 18 LM ED	2201641000	45,5	61,5	27	32
	22	M 26x1,5	250	RHVK 22 LM ED	2201643000	53,5	69,5	41	46
S	28	M 33x2	250	RHVK 28 LM ED	2201645000	60,5	77	41	46
	10	M 16x1,5	400	RHVK 10 SM ED	2201635000	67	88,5	60	70
	12	M 18x1,5	400	RHVK 12 SM ED	2201637000	36	50,5	22	27
	14	M 20x1,4	400	RHVK 14 SM ED	2201638000	37,5	53,5	22	27
	16	M 22x1,5	400	RHVK 16 SM ED	2201640000	39,5	55,5	22	27
	20	M 27x2	400	RHVK 20 SM ED	2201642000	44,5	62,5	27	32
	25	M 33x2	250	RHVK 25 SM ED	2201644000	52,5	74	41	46
	30	M 42x2	250	RHVK 30 SM ED	2201646000	53	77	41	46
	38	M 48x2	250	RHVK 38 SM ED	2201648000	65,5	96	60	70

Openin pressure 1,0 bar (opening 0,5–3 bar available on request).
 CS= carbon steel with zinc plating
 SS= stainless steel. Add 316 to end of Part No
 All codes are valve body only. Nut and cutting ring must be ordered separately.



GS-Hydro is the original provider of non-welded piping solutions with numerous benefits for a wide variety of demanding applications. The company operates globally in more than twenty-five countries through own companies and partners. GS-Hydro supplies complete piping systems with engineering, products, prefabrication, services and documentation.

GS-Hydro system offering



ISO 9001
MED 96/98/EC
PED 97/23/EC

8990306605 Product Offering Valves, July 2014

GS-Hydro
sales@gshydro.com
www.gshydro.com

