



X001C



Swaged Ferrule (no skive)

6

X0022



Swaged Ferrule (no skive)

7

X0001



Swaged Ferrule (skive)

8

X0002



Swaged Ferrule (skive)

9

XBMC1



Swaged Ferrule (no skive)

9

XBMC2



Swaged Ferrule (no skive)

10



X0003



Swaged Ferrule (no skive)

10



X0007



Swaged Ferrule (no skive)

11

X0008



Swaged Ferrule (no skive)

11

XPTFE



Ferrule for PTFE hose

12



X0009



Swaged Ferrule (skive)

12

X004H



Swaged Ferrule (skive)

13



X0345



BSP Male - Flat Seat

13

X0061



BSP Female Flat Seal

14

X0062



BSP Female Flat Seal Slip on Nut

14



X0350



BSP Male Parallel 60° cone

15



X0051



BSP Female 60° Cone Crimped Nut

16

X0052



BSP Female 60° Cone Slip On Nut

17

X0151



BSP 90° Swept elbow
60° cone - Crimped
Nut

18

X0150



BSP 90° Swept Elbow
60° cone Thrust Wire

18

X0152



BSP 90° Swept elbow
60° cone Slip On Nut

19

X0251



BSP 45° Swept Elbow
60° Cone - Crimped
Nut

20

X0250



BSP 45° Swept Elbow
60° Cone Thrust Wire
Nut with O-Ring

20

X0252



BSP 45° Swept Elbow
60° Cone Slip On Nut

21



X0360



BSP Taper Male 60°
cone

22



X1400



BSP Banjo

23

X1600-00



BSP perfored bolt

23

X1600



Double BSP perfored
bolt

24



X0370



NPTF Male 60° cone

25



X0850



JIC Male 74° cone

26



X0901



JIC Female 74° cone
Crimped Nut

27

X0902



JIC Female 74° cone
Slip On Nut

28

X0951



JIC 90° Swept Elbow
74° cone - Crimped
Nut

28

X0950



JIC 90° Swept Elbow
74° cone Thrust Wire

29

X0952



JIC 90° Swept Elbow
74° cone Slip on Nut

29

X1001



JIC 45° Swept Elbow
74° Cone - Crimped
Nut

30

X1000



JIC 45° Swept Elbow
74° cone Thrust Wire

30

X1002



JIC 45° Swept Elbow
74° Cone Slip On Nut

31



X0400



Metric Male 60° cone

32



X0035



Metric Female 24°
Seat Light Multiseal

33

X0135



90° Metric Swept
Elbow 24° Seat Light
Multiseal

34

X0235



45° Metric Swept
Elbow 24° Seat Light
Multiseal

34



X0500



Metric Male 24° Seat
Light

35



X0085



Metric Female 24°
Seat Light

36

X0085



Metric Female 24°
Seat Light Crimped
Nut

37

X0185



90° Metric Swept
Elbow 24° Seat Light

38

X0185



90° Metric Swept
Elbow 24° Seat Light
Crimped Nut

38

X0285



45° Metric Swept
Elbow 24° Seat Light

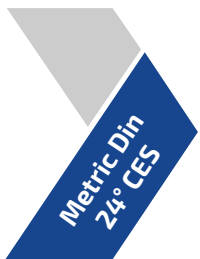
39

X0285



45° Metric Swept
Elbow 24° Seat Light
Crimped Nut

39



X0450



Metric Male 24° Seat
Heavy

40



X0084



Metric Female 24°
Seat Heavy

41

X0184



90° Metric Swept
Elbow 24° Seat Heavy

42

X0284



45° Metric Swept
Elbow 24° Seat Heavy

43



X1350



Metric Banjo

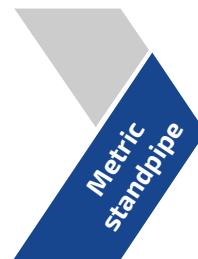
44

X1650



Metric perfored bolt

45



X0550



Metric Standpipe

46

X0650



90° Metric Standpipe

47

X0750



45° Metric Standpipe

48



XFK50



K' Female

49



XS350



ORFS Male

50



XS050



ORFS Female

51

XS150



ORFS 90° Swept Elbow

52

XS250



ORFS 45° Swept Elbow

53



X1260



Straight SAE Flange 3000 PSI

54

X1060



90° SAE Flange 3000 PSI

55

X1160



45° SAE Flange 3000 PSI

56

XS003



Cut Split Flanges - 3000 psi

56



X1310



Straight SAE Flange 6000 PSI

57

X1110



90° SAE Flange 6000 PSI

58

X1210



45° SAE Flange 6000 PSI

59

XS006



Cut Split Flanges - 6000 psi

60



XD050

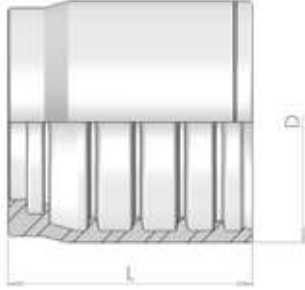


Hose Junction

60

X001C

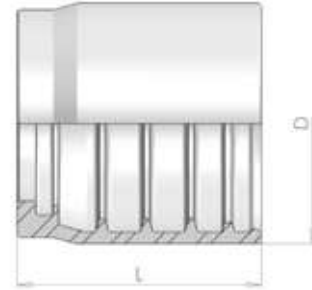
Swaged Ferrule (no skive)



Part number	Hose I.D.		Dimensions		Skive Length
			D	L	
	in	mm			
X001C-03	3/16	4.8	19	24	NO
X001C-04	1/4	6.4	20	26	NO
X001C-05	5/16	7.9	22	26	NO
X001C-06	3/8	9.5	25	28	NO
X001C-08	1/2	12.7	28	28	NO
X001C-10	5/8	15.9	32	29	NO
X001C-12	3/4	19	36	38	NO
X001C-16	1	25.4	44	47.5	NO
X001C-20	1.1/4	31.8	54	56	NO
X001C-24	1.1/2	38.1	62	66	NO
X001C-32	2	50.8	75	73	NO
X001C-40	2.1/2	63.5	88.4	90	NO
X001C48	3	76.2	101.5	90	NO

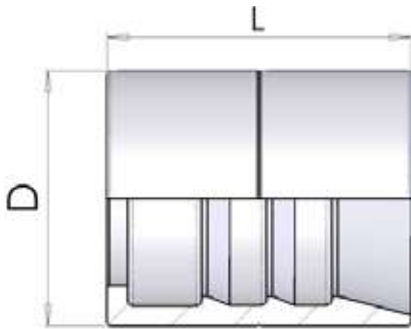
X0022

Swaged Ferrule (no skive)



Part number	Hose I.D.		Dimensions		Skive Length
			D	L	
	in	mm			
X0022-03	3/16	4.8	21	25.6	NO
X0022-04	1/4	6.4	22	28	NO
X0022-05	5/16	7.9	24	28	NO
X0022-06	3/8	9.5	26	28	NO
X0022-08	1/2	12.7	30	31	NO
X0022-10	5/8	15.9	34	31	NO
X0022-12	3/4	19	37	38	NO
X0022-16	1	25.4	47	47.5	NO
X0022-20	1.1/4	31.8	58	56	NO
X0022-24	1.1/2	38.1	65.6	66	NO
X0022-32	2	50.8	78.6	73	NO

X0001

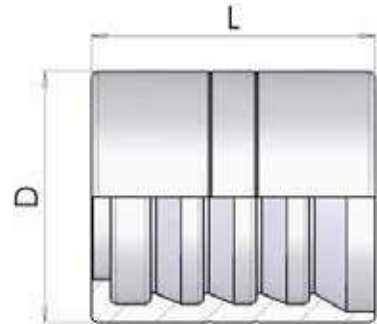


Swaged Ferrule (skive)

Part number	Hose I.D.		Dimensions		Skive Length
			D	L	
	in	mm			
X0001-03	3/16	4.8	17.5	27	20
X0001-04	1/4	6.4	20	30.2	23
X0001-05	5/16	7.9	22	30.7	23
X0001-06	3/8	9.5	24	32	24
X0001-08	1/2	12.7	28.5	34	25
X0001-10	5/8	15.9	32	37	27
X0001-12	3/4	19	36	43	31
X0001-16	1	25.4	43	50	37
X0001-20	1.1/4	31.8	52	57	46
X0001-24	1.1/2	38.1	57	63	44
X0001-32	2	50.8	70.6	78	60

X0002

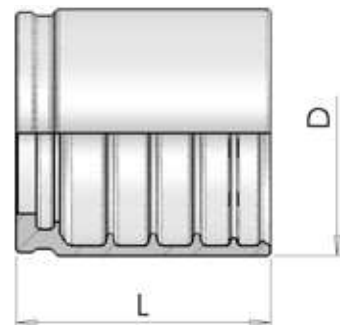
Swaged Ferrule (skive)



Part number	Hose I.D.		Dimensions		Skive Length
			D	L	
	in	mm			
X0002-03	3/16	4.8	20	27	21
X0002-04	1/4	6.4	21	30	22
X0002-05	5/16	7.9	24	30	22
X0002-06	3/8	9.5	25.4	32	24
X0002-08	1/2	12.7	30	34	25
X0002-10	5/8	15.9	34	37	27
X0002-12	3/4	19	38	43	31
X0002-16	1	25.4	46	50	37
X0002-20	1.1/4	31.8	56	59	43
X0002-24	1.1/2	38.1	62	63	45
X0002-32	2	50.8	75	79	61

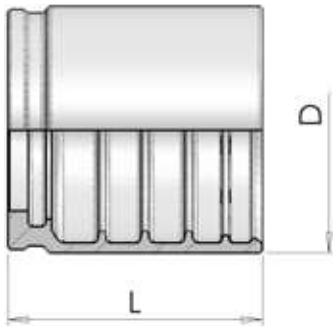
XBMC1

Swaged Ferrule (no skive)



Part number	Hose I.D.		Dimensions		Skive Length
			D	L	
	in	mm			
XBMC1-12	3/4	19	45	41	NO
XBMC1-16	1	25.4	53.5	56	NO
XBMC1-20	1.1/4	31.8	62	62	NO

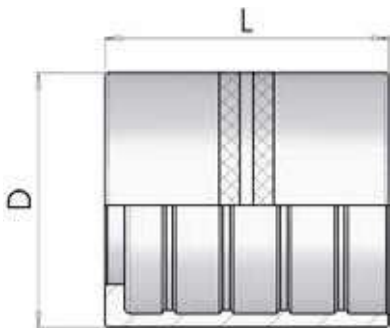
XBMC2



Swaged Ferrule (no skive)

Part number	Hose I.D.		Dimensions		Skive Length
			D	L	
	in	mm			
XBMC2-20	1.1/4	31.8	66	62	NO
XBMC2-24	1.1/2	38.1	73.3	70	NO

X0003

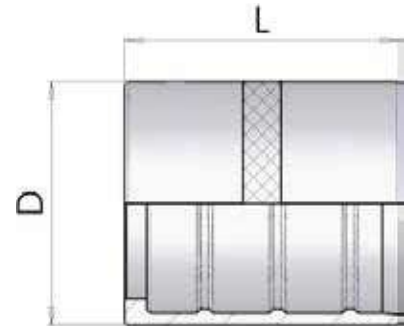


Swaged Ferrule (no skive)

Part number	Hose I.D.		Dimensions		Skive Length
			D	L	
	in	mm			
X0003-03	3/16	4.8	14	27	NO
X0003-04	1/4	6.4	19	29	NO
X0003-05	5/16	7.9	22	30	NO
X0003-06	3/8	9.5	24	31	NO
X0003-08	1/2	12.7	28.5	34	NO
X0003-10	5/8	15.9	32	36	NO
X0003-12	3/4	19	38	42	NO
X0003-16	1	25.4	46	50	NO
X0003-20	1.1/4	31.8	52	57	NO

X0007

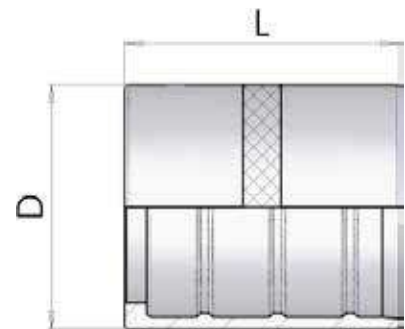
Swaged Ferrule (no skive)



Part number	Hose I.D.		Dimensions		Skive Length
			D	L	
	in	mm			
X0007-03	3/16	4.8	14	27	NO
X0007-04	1/4	6.4	17	29	NO
X0007-05	5/16	7.9	19	30	NO
X0007-06	3/8	9.5	21	31	NO
X0007-08	1/2	12.7	25.4	34	NO
X0007-10	5/8	15.9	28.5	36	NO
X0007-12	3/4	19	32	36	NO
X0007-16	1	25.4	40	50	NO

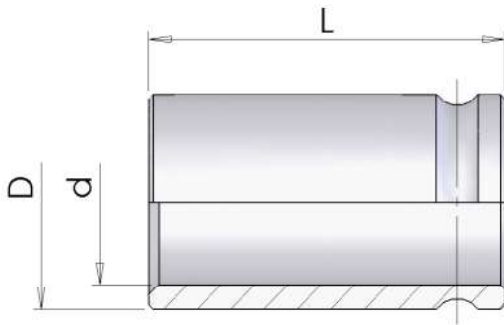
X0008

Swaged Ferrule (no skive)



Part number	Hose I.D.		Dimensions		Skive Length
			D	L	
	in	mm			
X0008-03	3/16	4.8	13	27	NO
X0008-04	1/4	6.4	17	29	NO
X0008-05	5/16	7.9	19	30	NO
X0008-06	3/8	9.5	21.5	31	NO
X0008-08	1/2	12.7	26	34	NO
X0008-10	5/8	15.9	29	40	NO
X0008-12	3/4	19	32	42	NO
X0008-16	1	25.4	40	50	NO

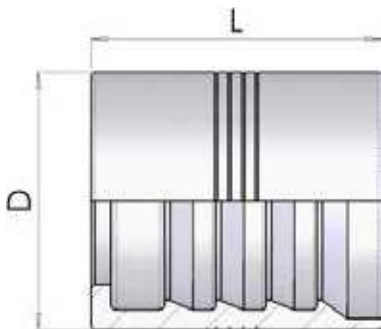
XPTFE



Ferrule for PTFE hose

Part number	Hose I.D.		Dimensions		Skive Lenght
			D	L	
	in	mm			
XPTFE-03	3/16	4.8	9.5	22	NO
XPTFE-04	1/4	6.4	11.1	23.9	NO
XPTFE-05	5/16	7.9	13	24.6	NO
XPTFE-06	3/8	9.5	15	27.4	NO
XPTFE-08	1/2	12.7	18.3	28.7	NO
XPTFE-10	5/8	15.9	23.1	31.7	NO
XPTFE-12	3/4	19	24.8	34.5	NO
XPTFE-16	1	25.4	34.3	43.6	NO

X0009

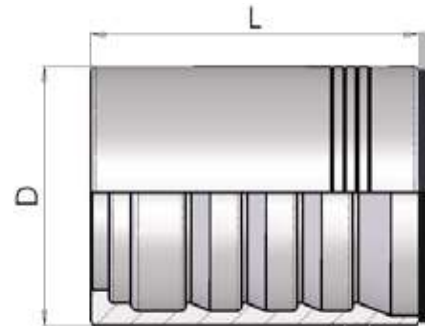


Swaged Ferrule (skive)

Part number	Hose I.D.		Dimensions		Skive Lenght
			D	L	
	in	mm			
X0009-04	1/4	6.4	15.3	30	22
X0009-06	3/8	9.5	18.3	33.5	26
X0009-08	1/2	12.7	22	36	28
X0009-10	5/8	15.9	25.7	40	31
X0009-12	3/4	19	29.4	43	34
X0009-16	1	25.4	36.1	60	48
X0009-20	1.1/4	31.8	46.7	66	54
X0009-24	1.1/2	38.1	55.7	76.5	62
X0009-32	2	50.8	68.8	79.8	64

X004H

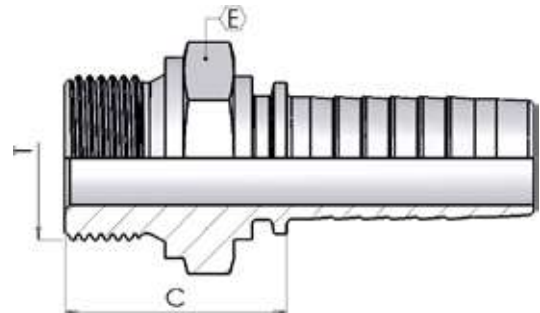
Swaged Ferrule (skive)



Part number	Hose I.D.		Dimensions		Skive Length
			D	L	
	in	mm			
X004H-20	1.1/4	31.8	43	66	55
X004H-24	1.1/2	38.1	50.4	76.5	63
X004H-32	2	50.8	65.5	79.8	65

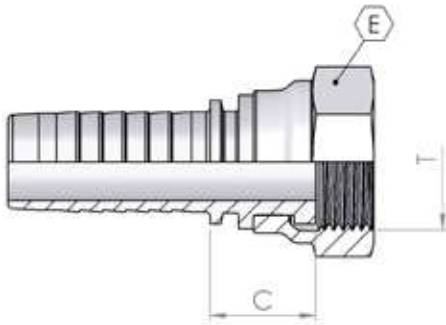
X0345

BSP Male - Flat Seat



Part number	Hose I.D.		Dimensions			
			dash	Thread	Cut-Off	Hex
			size	T	C	E
X0345-03-02	3/16	4.8	03	1/8-28	21	14
X0345-04-04	1/4	6.4	04	1/4-19	27	19
X0345-04-06	1/4	6.4	04	3/8-19	28	22
X0345-05-06	5/16	7.9	05	3/8-19	28	22
X0345-06-06	3/8	9.5	06	3/8-19	29	22
X0345-06-08	3/8	9.5	06	1/2-14	32	27
X0345-08-08	1/2	12.7	08	1/2-14	33	27
X0345-08-10	1/2	12.7	08	5/8-14	35	30
X0345-08-12	1/2	12.7	08	3/4-14	35	32
X0345-10-10	5/8	15.9	10	5/8-14	35	30
X0345-10-12	5/8	15.9	10	3/4-14	35	32
X0345-12-12	3/4	19	12	3/4-14	36	32
X0345-12-16	3/4	19	12	1-11	39	41
X0345-16-16	1	25.4	16	1-11	40	41

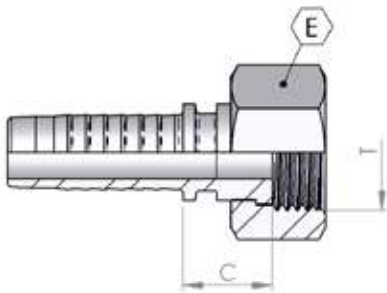
X0061



BSP Female Flat Seal

Part number	Hose I.D.		Dimensions			
			dash	Thread	Cut-Off	Hex
	in	mm	size	T	C	E
X0061-08-12	1/2	12.7	08	3/4-14	23	32
X0061-10-10	5/8	15.9	10	5/8-14	16	30
X0061-10-12	5/8	15.9	10	3/4-14	20	32
X0061-12-12	3/4	19	12	3/4-14	21	32
X0061-12-16	3/4	19	12	1-11	23	38
X0061-16-16	1	25.4	16	1-11	22	38
X0061-24-24	1.1/2	38.1	24	1.1/2-11	27	55

X0062

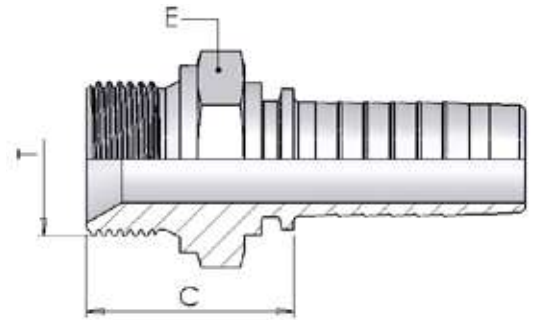


BSP Female Flat Seal - Slip on Nut

Part number	Hose I.D.		Dimensions			
			dash	Thread	Cut-Off	Hex
	in	mm	size	T	C	E
X0062-04-04	1/4	6.4	04	1/4-19	14	19
X0062-04-06	1/4	6.4	04	3/8-19	15	22
X0062-05-06	5/16	7.9	05	3/8-19	15	22
X0062-06-06	3/8	9.5	06	3/8-19	15	22
X0062-06-08	3/8	9.5	06	1/2-14	16	27
X0062-08-08	1/2	12.7	08	1/2-14	16	27

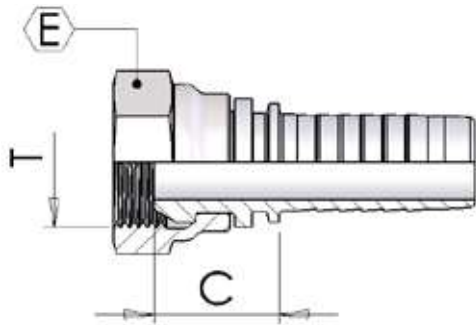
X0350

BSP Male Parallel 60° Cone



Part number	Hose I.D.		Dimensions			
			dash	Thread	Cut-Off	Hex
	in	mm	size	T	C	E
X0350-03-02	3/16	4.8	03	1/8-28	21	14
X0350-03-04	3/16	4.8	03	1/4-19	26	19
X0350-04-02	1/4	6.4	04	1/8-28	21	14
X0350-04-04	1/4	6.4	04	1/4-19	27	19
X0350-04-06	1/4	6.4	04	3/8-19	28	22
X0350-04-08	1/4	6.4	04	1/2-14	35	27
X0350-05-04	5/16	7.9	05	1/4-19	27	19
X0350-05-06	5/16	7.9	05	3/8-19	28	22
X0350-05-08	5/16	7.9	05	1/2-14	32	27
X0350-06-04	3/8	9.5	06	1/4-19	27	19
X0350-06-06	3/8	9.5	06	3/8-19	29	22
X0350-06-08	3/8	9.5	06	1/2-14	32	27
X0350-08-06	1/2	12.7	08	3/8-19	29	22
X0350-08-08	1/2	12.7	08	1/2-14	33	27
X0350-08-10	1/2	12.7	08	5/8-14	34	30
X0350-08-12	1/2	12.7	08	3/4-14	35	32
X0350-10-08	5/8	15.9	10	1/2-14	33	27
X0350-10-10	5/8	15.9	10	5/8-14	35	30
X0350-10-12	5/8	15.9	10	3/4-14	35	32
X0350-12-12	3/4	19	12	3/4-14	36	32
X0350-12-16	3/4	19	12	1-11	39	41
X0350-16-16	1	25.4	16	1-11	40	41
X0350-16-20	1	25.4	16	1.1/4-11	44	50
X0350-20-16	1.1/4	31.8	20	1-11	41	41
X0350-20-20	1.1/4	31.8	20	1.1/4-11	45	50
X0350-20-24	1.1/4	31.8	20	1.1/2-11	46	55
X0350-24-24	1.1/2	38.1	24	1.1/2-11	46	55
X0350-24-32	1.1/2	38.1	24	2-11	54	70
X0350-32-24	2	50.8	32	1.1/2-11	50	65
X0350-32-32	2	50.8	32	2-11	54	70

X0051

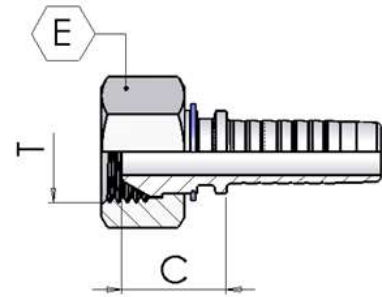


BSP Female 60° Cone - Crimped Nut

Part number	Hose I.D.		Dimensions			
			dash	Thread	Cut-Off	Hex
	in	mm	size	T	C	E
X0051-03-02	3/16	4.8	03	1/8-28	15	14
X0051-04-02	1/4	6.4	04	1/8-28	15	14
X0051-04-08	1/4	6.4	04	1/2-14	22	27
X0051-05-04	5/16	7.9	05	1/4-19	17	19
X0051-06-04	3/8	9.5	06	1/4-19	17	19
X0051-08-06	1/2	12.7	08	3/8-19	20	22
X0051-08-10	1/2	12.7	08	5/8-14	20	30
X0051-08-12	1/2	12.7	08	3/4-14	27	32
X0051-10-08	5/8	15.9	10	1/2-14	23	27
X0051-10-10	5/8	15.9	10	5/8-14	20	30
X0051-10-12	5/8	15.9	10	3/4-14	25	32
X0051-12-08	3/4	19	12	1/2-14	24	27
X0051-12-12	3/4	19	12	3/4-14	25	32
X0051-12-16	3/4	19	12	1-11	26	38
X0051-16-12	1	25.4	16	3/4-14	27	32
X0051-16-16	1	25.4	16	1-11	27	38
X0051-20-20	1.1/4	31.8	20	1.1/4-11	33	50
X0051-24-24	1.1/2	38.1	24	1.1/2-11	33	70
X0051-32-32	2	50.8	32	2-11	54	70

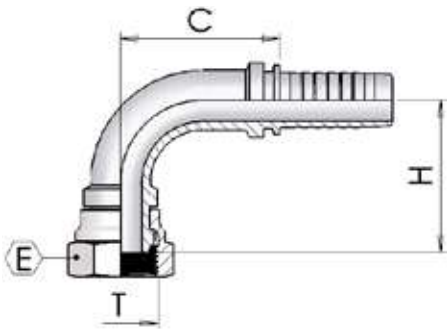
X0052

BSP Female 60° Cone - Slip On Nut



Part number	Hose I.D.		Dimensions			
			dash	Thread	Cut-Off	Hex
	in	mm	size	T	C	E
X0052-03-04	3/16	4.8	03	1/4-19	17	19
X0052-04-04	1/4	6.4	04	1/4-19	17	19
X0052-04-06	1/4	6.4	04	3/8-19	19	22
X0052-05-06	5/16	7.9	05	3/8-19	19	22
X0052-05-08	5/16	7.9	05	1/2-14	22	27
X0052-06-06	3/8	9.5	06	3/8-19	17	22
X0052-06-08	3/8	9.5	06	1/2-14	22	27
X0052-08-08	1/2	12.7	08	1/2-14	21	27

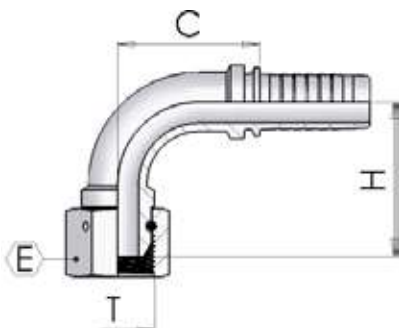
X0151



BSP 90° Swept elbow 60° Cone - Crimped Nut

Part number	Hose I.D.		Dimensions				
			dash size	Thread T	Cut-Off C	Hex E	Drop H
X0151-03-02	3/16	4.8	03	1/8-28	22	14	23
X0151-04-02	1/4	6.4	04	1/8-28	25	14	25
X0151-05-04	5/16	7.9	05	1/4-19	31	19	31
X0151-06-04	3/8	9.5	06	1/4-19	31	19	33
X0151-08-06	1/2	12.7	08	3/8-19	39	22	42
X0151-08-10	1/2	12.7	08	5/8-14	40	30	41
X0151-08-12	1/2	12.7	08	3/4-14	41	32	46
X0151-10-10	5/8	15.9	10	5/8-14	43	30	43
X0151-10-12	5/8	15.9	10	3/4-14	45	32	50
X0151-12-12	3/4	19	12	3/4-14	58	32	57
X0151-12-16	3/4	19	12	1-11	56	38	60
X0151-16-16	1	25.4	16	1-11	70	38	67

X0150

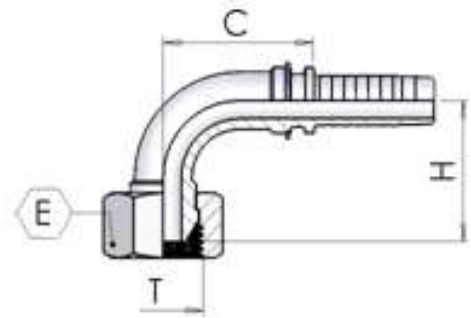


BSP 90° Swept Elbow 60° Cone - Thrust Wire

Part number	Hose I.D.		Dimensions				
			dash size	Thread T	Cut-Off C	Hex E	Drop H
X0150-20-20	1.1/4	31.8	20	1.1/4-11	86	50	81
X0150-24-24	1.1/2	38.1	24	1.1/2-11	103	55	95
X0150-32-32	2	50.8	32	2-11	122	70	135

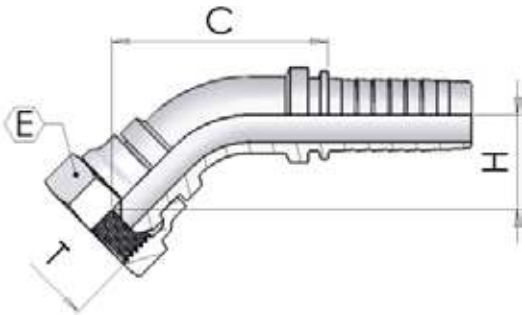
X0152

BSP 90° Swept elbow 60° Cone - Slip On Nut



Part number	Hose I.D.		Dimensions				
			dash size	Thread T	Cut-Off C	Hex E	Drop H
X0152-03-04	3/16	4.8	03	1/4-19	22	19	22
X0152-04-04	1/4	6.4	04	1/4-19	25	17	27
X0152-04-06	1/4	6.4	04	3/8-19	27	22	25
X0152-05-06	5/16	7.9	05	3/8-19	29	22	35
X0152-06-06	3/8	9.5	06	3/8-19	42	22	31
X0152-06-08	3/8	9.5	06	1/2-14	31	27	40
X0152-08-08	1/2	12.7	08	1/2-14	42	27	41

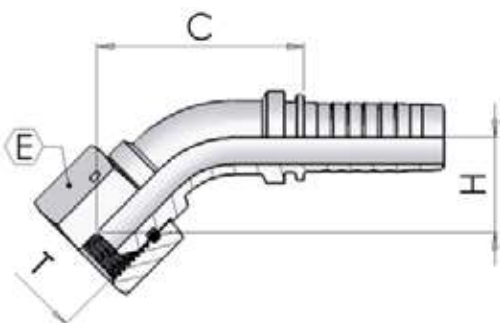
X0251



BSP 45° Swept Elbow 60° Cone - Crimped Nut

Part number	Hose I.D.		Dimensions				
			dash	Thread	Cut-Off	Hex	Drop
	in	mm	size	T	C	E	H
X0251-03-02	3/16	4.8	03	1/8-28	33	14	15
X0251-04-02	1/4	6.4	04	1/8-28	40	14	14
X0251-05-04	5/16	7.9	05	1/4-19	47	19	16
X0251-06-04	3/8	9.5	06	1/4-19	50	19	16
X0251-08-06	1/2	12.7	08	3/8-19	63	22	22
X0251-08-10	1/2	12.7	08	5/8-14	64	30	21
X0251-08-12	1/2	12.7	08	3/4-14	67	32	26
X0251-10-08	5/8	15.9	10	1/2-14	68	27	24
X0251-10-10	5/8	15.9	10	5/8-14	68	30	23
X0251-10-12	5/8	15.9	10	3/4-14	72	32	27
X0251-12-12	3/4	19	12	3/4-14	86	32	30
X0251-12-16	3/4	19	12	1-11	88	38	32
X0251-16-16	1	25.4	16	1-11	107	38	35

X0250

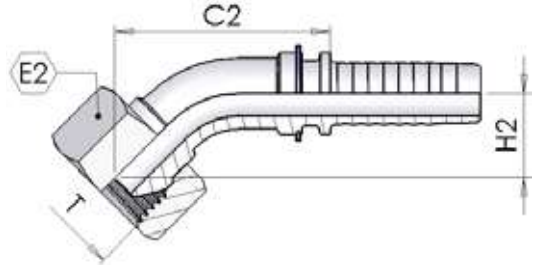


BSP 45° Swept Elbow 60° Cone - Thrust Wire Nut with O-Ring

Part number	Hose I.D.		Dimensions				
			dash	Thread	Cut-Off	Hex	Drop
	in	mm	size	T	C	E	H
X0250-20-20	1.1/4	31.8	20	1.1/4-11	107	50	40
X0250-24-24	1.1/2	38.1	24	1.1/2-11	117	55	47
X0250-32-32	2	50.8	32	2-11	142	70	65

X0252

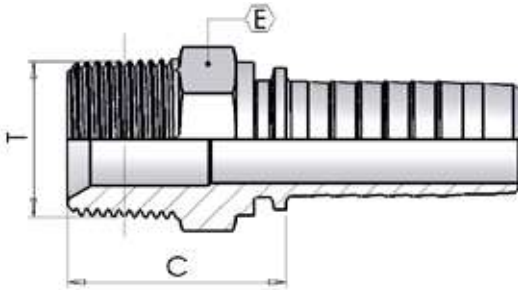
BSP 45° Swept Elbow 60° Cone - Slip On Nut



Part number	Hose I.D.		Dimensions				
			dash	Thread	Cut-Off	Hex	Drop
	in	mm	size	T	C	E	H
X0252-03-04	3/16	4.8	03	1/4-19	35	19	15
X0252-04-04	1/4	6.4	04	1/4-19	41	19	15
X0252-04-06	1/4	6.4	04	3/8-19	44	22	18
X0252-05-06	5/16	7.9	05	3/8-19	51	22	19
X0252-06-06	3/8	9.5	06	3/8-19	49	22	15
X0252-06-08	3/8	9.5	06	1/2-14	55	27	21
X0252-08-08	1/2	12.7	08	1/2-14	61	27	19

X0360

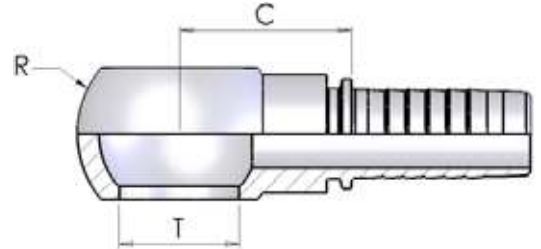
BSP Taper Male 60° Cone



Part number	Hose I.D.		Dimensions			
			dash	Thread	Cut-Off	Hex
	in	mm	size	T	C	E
X0360-03-02	3/16	4.8	03	1/8-28	21	12
X0360-03-04	3/16	4.8	03	1/4-19	27	15
X0360-04-02	1/4	6.4	04	1/8-28	22	12
X0360-04-04	1/4	6.4	04	1/4-19	28	15
X0360-04-06	1/4	6.4	04	3/8-19	28	19
X0360-05-04	5/16	7.9	05	1/4-19	28	15
X0360-05-06	5/16	7.9	05	3/8-19	28	19
X0360-06-04	3/8	9.5	06	1/4-19	28	17
X0360-06-06	3/8	9.5	06	3/8-19	28	19
X0360-06-08	3/8	9.5	06	1/2-14	33	22
X0360-08-06	1/2	12.7	08	3/8-19	29	19
X0360-08-08	1/2	12.7	08	1/2-14	34	22
X0360-08-12	1/2	12.7	08	3/4-14	36	27
X0360-10-08	5/8	15.9	10	1/2-14	34	22
X0360-10-10	5/8	15.9	10	5/8-14	35	24
X0360-10-12	5/8	15.9	10	3/4-14	36	27
X0360-12-12	3/4	19	12	3/4-14	37	27
X0360-12-16	3/4	19	12	1-11	43	36
X0360-16-16	1	25.4	16	1-11	44	36
X0360-16-20	1	25.4	16	1.1/4-11	46	46
X0360-20-20	1.1/4	31.8	20	1.1/4-11	47	46
X0360-20-24	1.1/4	31.8	20	1.1/2-11	49	50
X0360-24-24	1.1/2	38.1	24	1.1/2-11	49	50
X0360-24-32	1.1/2	38.1	24	2-11	55	65
X0360-32-32	2	50.8	32	2-11	55	65

X1400

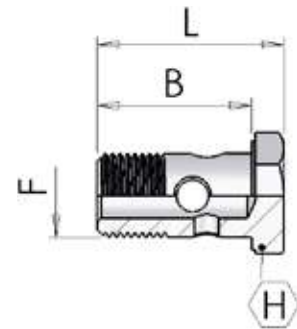
BSP Banjo



Part number	Hose I.D.		Dimensions			
			dash		Cut-Off	
	in	mm	size	mm	C	R
X1400-04-04	1/4	6.4	04	13.3	26	24
X1400-04-06	1/4	6.4	04	17	26	28
X1400-05-06	5/16	7.9	05	17	26	28
X1400-06-06	3/8	9.5	06	17	26	28
X1400-06-08	3/8	9.5	06	21.2	31	36
X1400-08-08	1/2	12.7	08	21.2	31	36
X1400-12-12	3/4	19	12	26.5	38	45
X1400-16-16	1	25.4	16	33.5	50	58

X1600-00

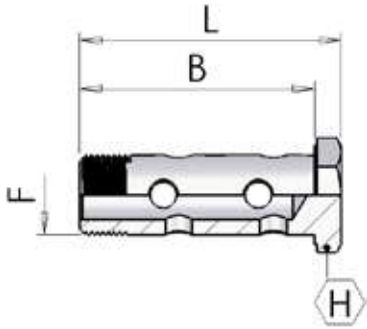
BSP perford bolt



Part number	Dimensions			
				Drop
	B	F	L	H
X1600-00-02	19	1/8"-28	24	14
X1600-00-04	29	1/4"-19	34	19
X1600-00-06	33	3/8"-19	41	22
X1600-00-08	38	1/2"-14	46	27
X1600-00-12	47	3/4"-14	56	32
X1600-00-16	58	1"-11	69	41

X1600

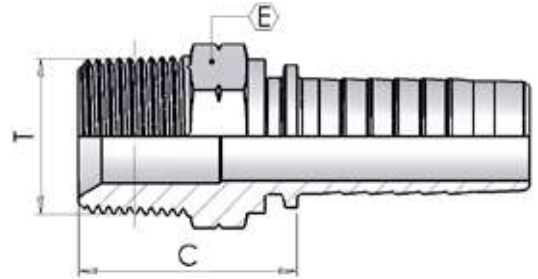
Double BSP perford bolt



Part number	Dimensions			Drop
	B	F	L	
X1600-04-04	43	1/4"-19	49	19
X1600-06-06	49	3/8"-19	57	22
X1600-08-08	62	1/2"-14	70	27
X1600-12-12	78	3/4"-14	87	32
X1600-16-16	98	1"-11	109	41

X0370

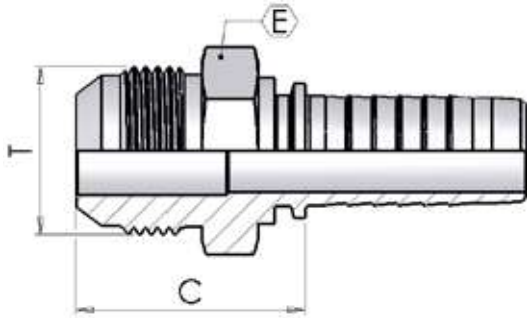
NPTF Male 60° Cone



Part number	Hose I.D.		Dimensions			
			dash	Thread	Cut-Off	Hex
	in	mm	size	T	C	E
X0370-03-02	3/16	4.8	03	1/8-27	22	12
X0370-03-04	3/16	4.8	03	1/4-18	27	15
X0370-04-02	1/4	6.4	04	1/8-27	22	12
X0370-04-04	1/4	6.4	04	1/4-18	28	15
X0370-04-06	1/4	6.4	04	3/8-18	28	19
X0370-05-04	5/16	7.9	05	1/4-18	28	15
X0370-05-06	5/16	7.9	05	3/8-18	28	19
X0370-05-08	5/16	7.9	05	1/2-14	34	22
X0370-06-04	3/8	9.5	06	1/4-18	28	17
X0370-06-06	3/8	9.5	06	3/8-18	28	19
X0370-06-08	3/8	9.5	06	1/2-14	34	22
X0370-08-06	1/2	12.7	08	3/8-18	29	19
X0370-08-08	1/2	12.7	08	1/2-14	35	22
X0370-08-12	1/2	12.7	08	3/4-14	36	27
X0370-10-08	5/8	15.9	10	1/2-14	35	24
X0370-10-12	5/8	15.9	10	3/4-14	36	27
X0370-12-08	3/4	19	12	1/2-14	36	24
X0370-12-12	3/4	19	12	3/4-14	37	27
X0370-12-16	3/4	19	12	1-11.1/2	43	36
X0370-16-16	1	25.4	16	1-11.1/2	44	36
X0370-16-20	1	25.4	16	1.1/4-11.1/2	46	46
X0370-20-16	1.1/4	31.8	20	1-11.1/2	45	41
X0370-20-20	1.1/4	31.8	20	1.1/4-11.1/2	47	46
X0370-24-24	1.1/2	38.1	24	1.1/2-11.1/2	49	50
X0370-32-32	2	50.8	32	2-11.1/2	55	65

X0850

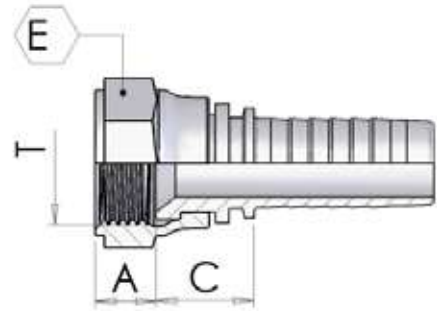
JIC Male 74° Cone



Part number	Hose I.D.		Dimensions			
			dash	Thread	Cut-Off	Hex
	in	mm	size	T	C	E
X0850-03-04	3/16	4.8	03	7/16-20	26	12
X0850-04-04	1/4	6.4	04	7/16-20	27	12
X0850-04-05	1/4	6.4	04	1/2-20	27	14
X0850-04-06	1/4	6.4	04	9/16-18	27	15
X0850-05-05	5/16	7.9	05	1/2-20	27	14
X0850-05-06	5/16	7.9	05	9/16-18	27	15
X0850-05-08	5/16	7.9	05	3/4-16	30	19
X0850-06-06	3/8	9.5	06	9/16-18	27	15
X0850-06-07	3/8	9.5	06	5/8-18	30	17
X0850-06-08	3/8	9.5	06	3/4-16	30	19
X0850-06-10	3/8	9.5	06	7/8-14	34	24
X0850-08-06	1/2	12.7	08	9/16-18	28	19
X0850-08-08	1/2	12.7	08	3/4-16	31	19
X0850-08-10	1/2	12.7	08	7/8-14	35	24
X0850-08-12	1/2	12.7	08	1.1/16-12	37	27
X0850-10-10	5/8	15.9	10	7/8-14	35	24
X0850-10-12	5/8	15.9	10	1.1/16-12	37	27
X0850-12-10	3/4	19	12	7/8-14	36	24
X0850-12-12	3/4	19	12	1.1/16-12	38	27
X0850-12-14	3/4	19	12	1.3/16-12	41	32
X0850-12-16	3/4	19	12	1.5/16-12	42	34
X0850-12-20	3/4	19	12	1.5/8-12	45	42
X0850-16-12	1	25.4	16	1.1/16-12	39	27
X0850-16-14	1	25.4	16	1.3/16-12	42	32
X0850-16-16	1	25.4	16	1.5/16-12	43	34
X0850-16-20	1	25.4	16	1.5/8-12	46	42
X0850-20-20	1.1/4	31.8	20	1.5/8-12	47	42
X0850-20-24	1.1/4	31.8	20	1.7/8-12	52	50
X0850-24-24	1.1/2	38.1	24	1.7/8-12	52	50
X0850-32-32	2	50.8	32	2.1/2-12	62	65

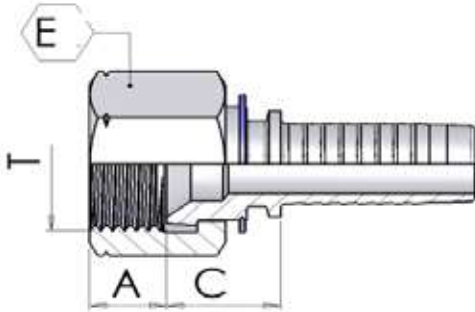
X0901

JIC Female 74° Cone Crimped Nut



Part number	Hose I.D.		Dimensions				
			dash	Thread	Cut-Off		Hex
	in	mm	size	T	C	A	E
X0901-03-04	3/16	4.8	03	7/16-20	14	9	15
X0901-04-04	1/4	6.4	04	7/16-20	14	9	15
X0901-04-07	1/4	6.4	04	5/8-18	17	11	22
X0901-05-05	5/16	7.9	05	1/2-20	15	10	17
X0901-05-07	5/16	7.9	05	5/8-18	17	9	22
X0901-06-04	3/8	9.5	06	7/16-20	15	9	15
X0901-06-05	3/8	9.5	06	1/2-20	15	10	17
X0901-06-06	3/8	9.5	06	9/16-18	16	9	19
X0901-06-07	3/8	9.5	06	5/8-18	16	11	22
X0901-08-08	1/2	12.7	08	3/4-16	18	11	24
X0901-10-10	5/8	15.9	10	7/8-14	19	13	27
X0901-12-10	3/4	19	12	7/8-14	20	13	27
X0901-12-12	3/4	19	12	1.1/16-12	22	14	32
X0901-12-14	3/4	19	12	1.3/16-12	23	14	36
X0901-12-16	3/4	19	12	1.5/16-12	21	16	38
X0901-16-12	1	25.4	16	1.1/16-12	23	14	32
X0901-16-16	1	25.4	16	1.5/16-12	24	16	38

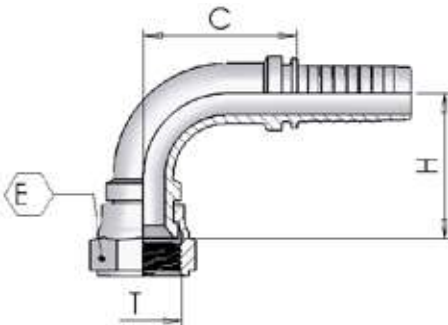
X0902



JIC Female 74° Cone - Slip On Nut

Part number	Hose I.D.		Dimensions				
			dash size	Thread T	Cut-Off C	A	Hex E
X0902-04-05	1/4	6.4	04	1/2-20	17	10	17
X0902-04-06	1/4	6.4	04	9/16-18	17	9	19
X0902-05-06	5/16	7.9	05	9/16-18	16	9	19
X0902-06-08	3/8	9.5	06	3/4-16	18	11	22
X0902-08-10	1/2	12.7	08	7/8-14	20	13	27
X0902-10-12	5/8	15.9	10	1.1/16-12	20	14	32

X0951

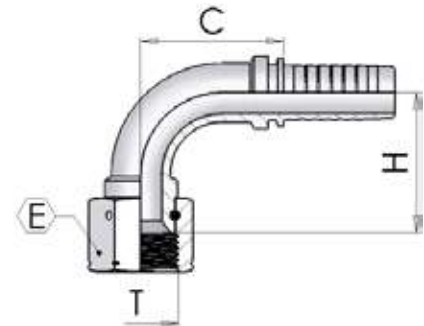


JIC 90° Swept Elbow 74° Cone - Crimped Nut

Part number	Hose I.D.		Dimensions				
			dash size	Thread T	Cut-Off C	Hex E	Drop H
X0951-03-04	3/16	4.8	03	7/16-20	22	15	22
X0951-04-04	1/4	6.4	04	7/16-20	25	15	24
X0951-05-05	5/16	7.9	05	1/2-20	29	17	30
X0951-06-05	3/8	9.5	06	1/2-20	33	17	30
X0951-06-06	3/8	9.5	06	9/16-18	31	19	32
X0951-08-08	1/2	12.7	08	3/4-16	41	24	41
X0951-10-10	5/8	15.9	10	7/8-14	43	27	44
X0951-12-16	3/4	19	12	1.5/16-12	56	38	57
X0951-16-16	1	25.4	16	1.5/16-12	70	38	65

X0950

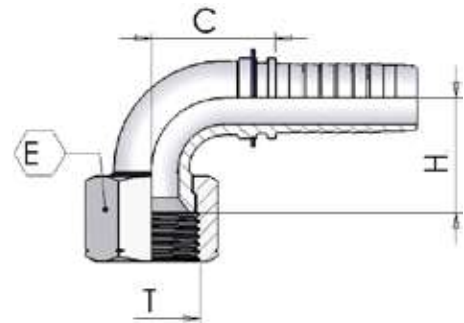
JIC 90° Swept Elbow 74° Cone - Thrust Wire



Part number	Hose I.D.		Dimensions				
			dash	Thread	Cut-Off	Hex	Drop
	in	mm	size	T	C	E	H
X0950-20-20	1.1/4	31.8	20	1.5/8-12	87	50	83
X0950-24-24	1.1/2	38.1	24	1.7/8-12	102	55	97
X0950-32-32	2	50.8	32	2.1/2-12	121	70	134

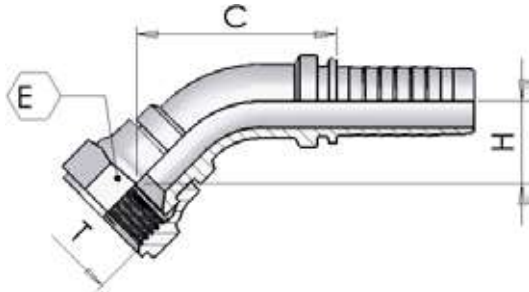
X0952

JIC 90° Swept Elbow 74° Cone - Slip on Nut



Part number	Hose I.D.		Dimensions				
			dash	Thread	Cut-Off	Hex	Drop
	in	mm	size	T	C	E	H
X0952-04-05	1/4	6.4	04	1/2-20	27	17	21
X0952-04-06	1/4	6.4	04	9/16-18	26	19	21
X0952-05-06	5/16	7.9	05	9/16-18	25	19	32
X0952-06-08	3/8	9.5	06	3/4-16	35	22	26
X0952-06-10	3/8	9.5	06	7/8-14	33	27	36
X0952-08-10	1/2	12.7	08	7/8-14	40	27	32
X0952-08-12	1/2	12.7	08	1.1/16-12	39	32	43
X0952-10-12	5/8	15.9	10	1.1/16-12	47	32	37
X0952-12-12	3/4	19	12	1.1/16-12	58	32	45

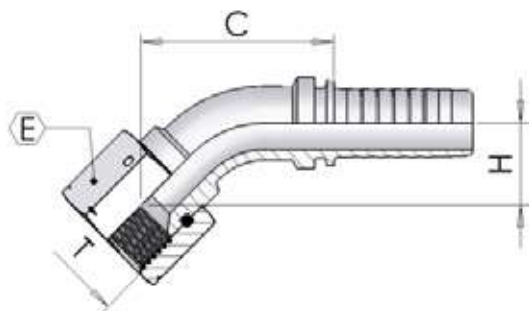
X1001



JIC 45° Swept Elbow 74° Cone - Crimped Nut

Part number	Hose I.D.		Dimensions				
			dash	Thread	Cut-Off	Hex	Drop
	in	mm	size	T	C	E	H
X1001-03-04	3/16	4.8	03	7/16-20	33	15	15
X1001-04-04	1/4	6.4	04	7/16-20	38	15	13
X1001-05-05	5/16	7.9	05	1/2-20	46	17	17
X1001-06-05	3/8	9.5	06	1/2-20	49	17	16
X1001-06-06	3/8	9.5	06	9/16-18	51	19	17
X1001-08-08	1/2	12.7	08	3/4-16	62	24	22
X1001-10-10	5/8	15.9	10	7/8-14	68	27	24
X1001-12-16	3/4	19	12	1.5/16-12	86	38	30
X1001-16-16	1	25.4	16	1.5/16-12	104	38	33

X1000

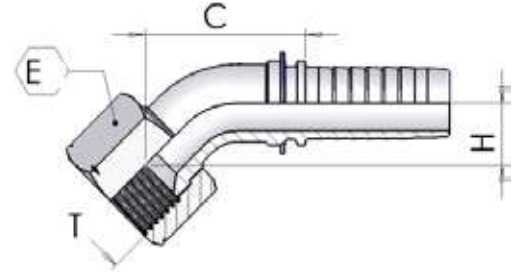


JIC 45° Swept Elbow 74° Cone - Thrust Wire

Part number	Hose I.D.		Dimensions				
			dash	Thread	Cut-Off	Hex	Drop
	in	mm	size	T	C	E	H
X1000-20-20	1.1/4	31,8	20	1.5/8-12	108	50	40
X1000-24-24	1.1/2	38,1	24	1.7/8-12	119	55	49
X1000-32-32	2	50,8	32	2.1/2-12	142	70	65

X1002

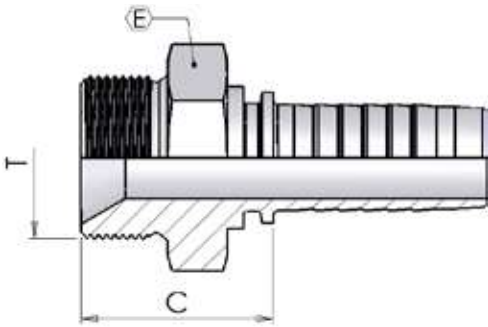
JIC 45° Swept Elbow 74° Cone - Slip On Nut



Part number	Hose I.D.		Dimensions				
			dash	Thread	Cut-Off	Hex	Drop
	in	mm	size	T	C	E	H
X1002-04-05	1/4	6.4	04	1/2-20	38	17	11
X1002-04-06	1/4	6.4	04	9/16-18	38	19	11
X1002-05-06	5/16	7.9	05	9/16-18	49	19	20
X1002-06-08	3/8	9.5	06	3/4-16	48	22	13
X1002-06-10	3/8	9.5	06	7/8-14	54	27	21
X1002-08-10	1/2	12.7	08	7/8-14	58	27	16
X1002-08-12	1/2	12.7	08	1.1/16-12	68	32	25
X1002-10-12	5/8	15.9	10	1.1/16-12	66	32	18
X1002-12-12	3/4	19	12	1.1/16-12	81	32	21

X0400

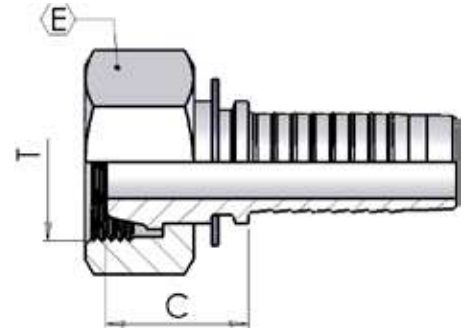
Metric Male 60° cone



Part number	Hose I.D.		Dimensions			
			dash	Thread	Cut-Off	Hex
	in	mm	size	T	C	E
X0400-03-10	3/16	4.8	03	M10-1	19	14
X0400-03-12	3/16	4.8	03	M12-1.5	25	17
X0400-04-10	1/4	6.4	04	M10-1	20	14
X0400-04-12	1/4	6.4	04	M12-1.5	26	17
X0400-04-14	1/4	6.4	04	M14-1.5	26	19
X0400-04-16	1/4	6.4	04	M16-1.5	26	22
X0400-05-12	5/16	7.9	05	M12-1.5	26	17
X0400-05-16	5/16	7.9	05	M16-1.5	26	22
X0400-05-18	5/16	7.9	05	M18-1.5	26	24
X0400-06-14	3/8	9.5	06	M14-1.5	26	19
X0400-06-16	3/8	9.5	06	M16-1.5	26	22
X0400-06-18	3/8	9.5	06	M18-1.5	27	24
X0400-06-22	3/8	9.5	06	M22-1.5	27	27
X0400-08-18	1/2	12.7	08	M18-1.5	28	24
X0400-08-22	1/2	12.7	08	M22-1.5	30	27
X0400-10-26	5/8	15.9	10	M26-1.5	32	32
X0400-12-26	3/4	19	12	M26-1.5	33	32
X0400-12-30	3/4	19	12	M30-1.5	36	36
X0400-16-38	1	25.4	16	M38-1.5	37	46
X0400-20-45	1.1/4	31.8	20	M45-1.5	39	55

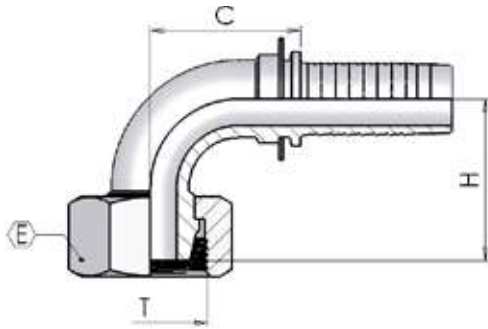
X0035

Metric Female 24° - Seat Light Multiseal



Part number	Hose I.D.		Dimensions				
			dash	Thread		Cut-Off	Hex
	in	mm	size	T	Erm	C	E
X0035-03-12	3/16	4.8	03	M12-1.5	6	19	14
X0035-03-16	3/16	4.8	03	M16-1.5	10	18	19
X0035-04-14	1/4	6.4	04	M14-1.5	8	19	17
X0035-04-16	1/4	6.4	04	M16-1.5	10	19	19
X0035-05-16	5/16	7.9	05	M16-1.5	10	19	19
X0035-05-18	5/16	7.9	05	M18-1.5	12	21	22
X0035-06-18	3/8	9.5	06	M18-1.5	12	23	22
X0035-06-22	3/8	9.5	06	M22-1.5	15	22	27
X0035-08-22	1/2	12.7	08	M22-1.5	15	22	27
X0035-08-26	1/2	12.7	08	M26-1.5	18	24	32
X0035-10-26	5/8	15.9	10	M26-1.5	18	24	32

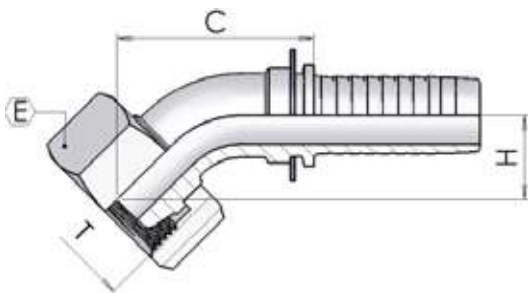
X0135



90° Metric Swept Elbow 24° - Seat Light Multiseal

Part number	Hose I.D.		Dimensions					
			dash	Thread		Cut-Off	Hex	Drop
			size	T	Erm	C	E	H
X0135-04-14	1/4	6.4	04	M14-1.5	8	25	17	25
X0135-04-16	1/4	6.4	04	M16-1.5	10	26	19	24
X0135-05-16	5/16	7.9	05	M16-1.5	10	32	19	29
X0135-05-18	5/16	7.9	05	M18-1.5	12	31	22	30
X0135-06-18	3/8	9.5	06	M18-1.5	12	32	22	33
X0135-06-22	3/8	9.5	06	M22-1.5	15	33	27	34
X0135-08-22	1/2	12.7	08	M22-1.5	15	41	27	38
X0135-10-26	5/8	15.9	10	M26-1.5	18	46	32	42

X0235

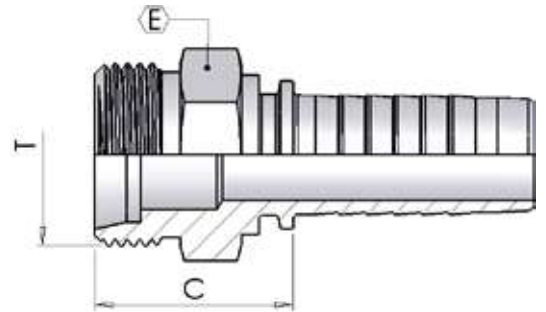


45° Metric Swept Elbow 24° - Seat Light Multiseal

Part number	Hose I.D.		Dimensions					
			dash	Thread		Cut-Off	Hex	Drop
			size	T	Erm	C	E	H
X0235-04-14	1/4	6.4	04	M14-1.5	8	40	17	14
X0235-04-16	1/4	6.4	04	M16-1.5	10	37	19	16
X0235-05-16	5/16	7.9	05	M16-1.5	10	47	19	14
X0235-05-18	5/16	7.9	05	M18-1.5	12	49	22	16
X0235-06-18	3/8	9.5	06	M18-1.5	12	50	22	16
X0235-08-22	1/2	12.7	08	M22-1.5	15	61	27	21

X0500

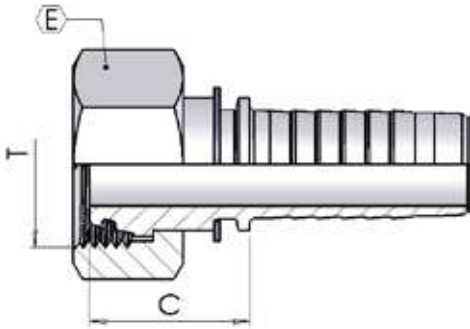
Metric Male 24° - Seat Light



Part number	Hose I.D.		Dimensions				
			dash	Thread		Cut-Off	Hex
	in	mm	size	T	Erm	C	E
X0500-03-12	3/16	4.8	03	M12-1.5	6	22	14
X0500-04-12	1/4	6.4	04	M12-1.5	6	23	14
X0500-04-14	1/4	6.4	04	M14-1.5	8	22	14
X0500-04-16	1/4	6.4	04	M16-1.5	10	23	17
X0500-04-18	1/4	6.4	04	M18-1.5	12	24	19
X0500-05-14	5/16	7.9	05	M14-1.5	8	22	14
X0500-05-16	5/16	7.9	05	M16-1.5	10	23	17
X0500-05-18	5/16	7.9	05	M18-1.5	12	24	19
X0500-05-22	5/16	7.9	05	M22-1.5	15	25	22
X0500-06-16	3/8	9.5	06	M16-1.5	10	23	17
X0500-06-18	3/8	9.5	06	M18-1.5	12	24	19
X0500-06-22	3/8	9.5	06	M22-1.5	15	25	22
X0500-08-18	1/2	12.7	08	M18-1.5	12	25	19
X0500-08-22	1/2	12.7	08	M22-1.5	15	26	22
X0500-08-26	1/2	12.7	08	M26-1.5	18	27	27
X0500-10-22	5/8	15.9	10	M22-1.5	15	26	22
X0500-10-26	5/8	15.9	10	M26-1.5	18	27	27
X0500-10-30	5/8	15.9	10	M30-2	22	32	30
X0500-12-26	3/4	19	12	M26-1.5	18	28	27
X0500-12-30	3/4	19	12	M30-2	22	33	30
X0500-16-36	1	25.4	16	M36-2	28	32	36
X0500-20-45	1.1/4	31.8	20	M45-2	35	36	46
X0500-24-52	1.1/2	38.1	24	M52-2	42	38	55

X0085

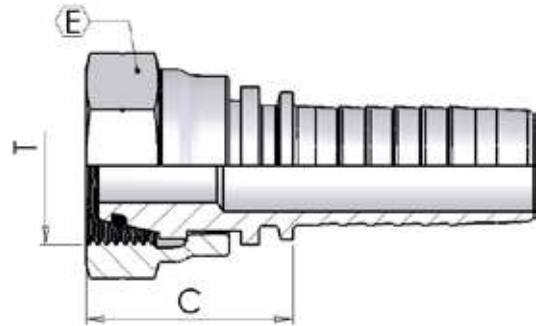
Metric Female 24° - Seat Light



Part number	Hose I.D.		Dimensions				
			dash	Thread		Cut-Off	Hex
	in	mm	size	T	Erm	C	E
X0085-03-12	3/16	4.8	03	M12-1.5	6	23	14
X0085-04-14	1/4	6.4	04	M14-1.5	8	24	17
X0085-04-16	1/4	6.4	04	M16-1.5	10	24	19
X0085-04-18	1/4	6.4	04	M18-1.5	12	25	22
X0085-05-16	5/16	7.9	05	M16-1.5	10	24	19
X0085-05-18	5/16	7.9	05	M18-1.5	12	25	22
X0085-06-18	3/8	9.5	06	M18-1.5	12	25	22
X0085-06-22	3/8	9.5	06	M22-1.5	15	29	27
X0085-08-22	1/2	12.7	08	M22-1.5	15	29	27
X0085-08-26	1/2	12.7	08	M26-1.5	18	29	32
X0085-10-26	5/8	15.9	10	M26-1.5	18	29	32
X0085-10-30	5/8	15.9	12	M30-2	22	29	36
X0085-12-30	3/4	19	12	M30-2	22	29	36
X0085-12-36	3/4	19	12	M36-2	28	28	41
X0085-16-36	1	25.4	16	M36-2	28	30	41
X0085-20-45	1.1/4	31.8	20	M45-2	35	40	50
X0085-24-52	1.1/2	38.1	24	M52-2	42	41	60

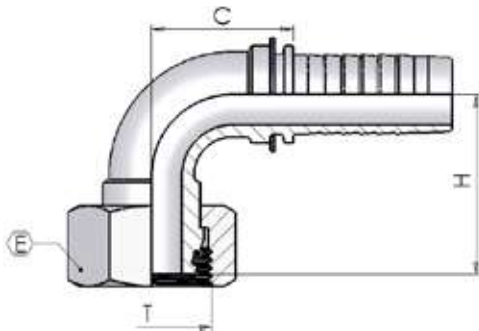
X0085

Metric Female 24° - Seat Light Crimped Nut



Part number	Hose I.D.		Dimensions				
			dash	Thread		Cut-Off	Hex
	in	mm	size	T	Erm	C	E
X0085-04-12	1/4	6.4	04	M12-1.5	6	25	14
X0085-05-14	5/16	7.9	05	M14-1.5	8	26	19
X0085-06-16	3/8	9.5	06	M16-1.5	10	25	19
X0085-08-18	1/2	12.7	08	M18-1.5	12	28	24
X0085-10-22	5/8	15.9	10	M22-1.5	15	32	27
X0085-12-26	3/4	19	12	M26-1.5	18	36	32

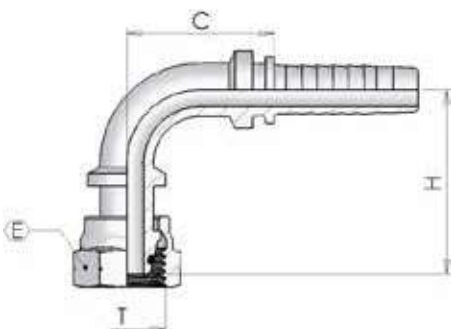
X0185



90° Metric Swept Elbow 24° - Seat Light

Part number	Hose I.D.		Dimensions					
			dash	Thread		Cut-Off	Hex	Drop
			size	T	Erm	C	E	H
X0185-03-12	3/16	4.8	03	M12-1.5	6	22	14	23
X0185-04-14	1/4	6.4	04	M14-1.5	8	26	17	26
X0185-04-16	1/4	6.4	04	M16-1.5	10	25	19	27
X0185-04-18	1/4	6.4	04	M18-1.5	12	27	22	30
X0185-05-16	5/16	7.9	05	M16-1.5	10	31	19	31
X0185-05-18	5/16	7.9	05	M18-1.5	12	31	22	32
X0185-06-18	3/8	9.5	06	M18-1.5	12	32	22	35
X0185-06-22	3/8	9.5	06	M22-1.5	15	32	27	35
X0185-08-22	1/2	12.7	08	M22-1.5	15	41	27	38
X0185-08-26	1/2	12.7	08	M26-1.5	18	41	32	39
X0185-10-26	5/8	15.9	10	M26-1.5	18	44	32	44
X0185-12-30	3/4	19	12	M30-2	22	58	36	52
X0185-16-36	1	25.4	16	M36-2	28	72	41	62

X0185

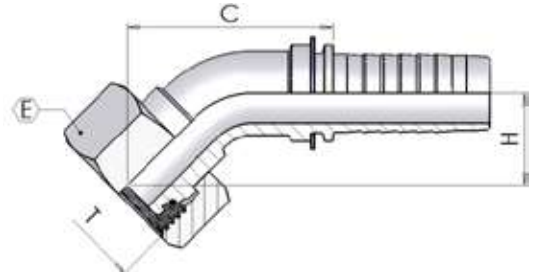


90° Metric Swept Elbow 24° - Seat Light Crimped Nut

Part number	Hose I.D.		Dimensions					
			dash	Thread		Cut-Off	Hex	Drop
			size	T	Erm	C	E	H
X0185-04-12	1/4	6.4	04	M12-1.5	6	26	14	34
X0185-05-14	5/16	7.9	05	M14-1.5	8	30	17	38
X0185-06-16	3/8	9.5	06	M16-1.5	10	32	19	39
X0185-10-22	5/8	15.9	08	M22-1.5	15	42	27	55

X0285

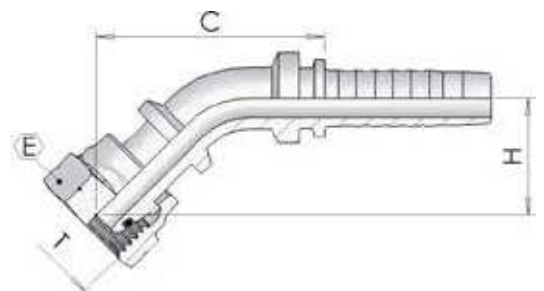
45° Metric Swept Elbow 24° - Seat Light



Part number	Hose I.D.		Dimensions					
			dash	Thread		Cut-Off	Hex	Drop
			size	T	Erm	C	E	H
X0285-03-12	3/16	4.8	03	M12-1.5	6	36	14	14
X0285-04-14	1/4	6.4	04	M14-1.5	8	42	17	14
X0285-04-16	1/4	6.4	04	M16-1.5	10	42	19	15
X0285-04-18	1/4	6.4	04	M18-1.5	12	43	22	16
X0285-05-16	5/16	7.9	05	M16-1.5	10	48	19	17
X0285-05-18	5/16	7.9	05	M18-1.5	12	48	22	18
X0285-06-18	3/8	9.5	06	M18-1.5	12	52	22	19
X0285-06-22	3/8	9.5	06	M22-1.5	15	51	27	19
X0285-08-22	1/2	12.7	08	M22-1.5	15	63	27	21
X0285-10-26	5/8	15.9	10	M26-1.5	18	68	32	23
X0285-12-30	3/4	19	12	M30-2	22	85	36	27
X0285-16-36	1	25.4	16	M36-2	28	102	41	32

X0285

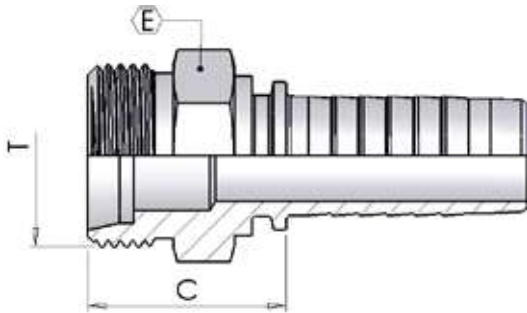
45° Metric Swept Elbow 24° - Seat Light Crimped Nut



Part number	Hose I.D.		Dimensions					
			dash	Thread		Cut-Off	Hex	Drop
			size	T	Erm	C	E	H
X0285-04-12	1/4	6.4	04	M12-1.5	6	46	14	20
X0285-06-16	3/8	9.5	06	M16-1.5	10	55	19	22

X0450

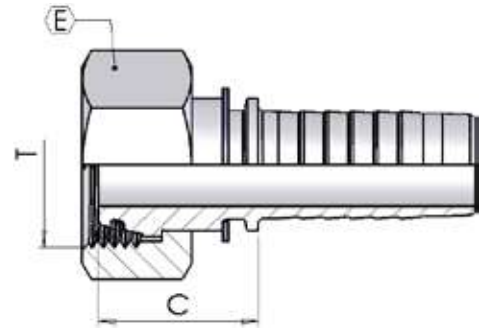
Metric Male 24° - Seat Heavy



Part number	Hose I.D.		Dimensions				
			dash	Thread		Cut-Off	Hex
	in	mm	size	T	Erm	C	E
X0450-03-16	3/16	4.8	03	M16-1.5	8	26	17
X0450-04-14	1/4	6.4	04	M14-1.5	6	25	14
X0450-04-16	1/4	6.4	04	M16-1.5	8	27	17
X0450-04-18	1/4	6.4	04	M18-1.5	10	27	19
X0450-05-18	5/16	7.9	05	M18-1.5	10	27	19
X0450-05-20	5/16	7.9	05	M20-1.5	12	29	22
X0450-06-18	3/8	9.5	06	M18-1.5	10	27	19
X0450-06-20	3/8	9.5	06	M20-1.5	12	29	22
X0450-06-22	3/8	9.5	06	M22-1.5	14	31	22
X0450-06-24	3/8	9.5	06	M24-1.5	16	31	24
X0450-08-24	1/2	12.7	08	M24-1.5	16	32	24
X0450-10-30	5/8	15.9	10	M30-2	20	34	30
X0450-12-30	3/4	19	12	M30-2	20	35	30
X0450-12-36	3/4	19	12	M36-2	25	38	36
X0450-16-36	1	25.4	16	M36-2	25	39	36
X0450-16-42	1	25.4	16	M42-2	30	42	46
X0450-20-42	1.1/4	31.8	20	M42-2	30	43	46
X0450-20-52	1.1/4	31.8	20	M52-2	38	45	55
X0450-24-52	1.1/2	38.1	24	M52-2	38	45	55

X0084

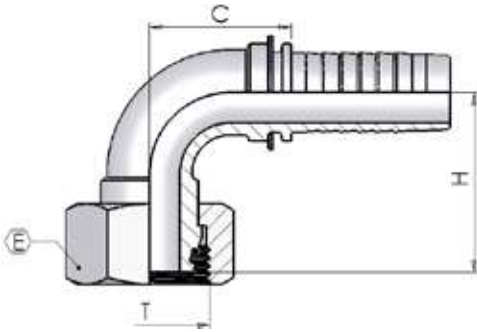
Metric Female 24° - Seat Heavy



Part number	Hose I.D.		Dimensions				
			dash	Thread		Cut-Off	Hex
	in	mm	size	T	Erm	C	E
X0084-03-16	3/16	4.8	03	M16-1.5	8	25	19
X0084-04-14	1/4	6.4	04	M14-1.5	6	23	17
X0084-04-16	1/4	6.4	04	M16-1.5	8	25	19
X0084-04-18	1/4	6.4	04	M18-1.5	10	24	22
X0084-05-18	5/16	7.9	05	M18-1.5	10	24	22
X0084-05-20	5/16	7.9	05	M20-1.5	12	26	24
X0084-06-16	3/8	9.5	06	M16-1.5	8	26	19
X0084-06-18	3/8	9.5	06	M18-1.5	10	25	22
X0084-06-20	3/8	9.5	06	M20-1.5	12	25	24
X0084-06-22	3/8	9.5	06	M22-1.5	14	29	27
X0084-08-22	1/2	12.7	08	M22-1.5	14	17	27
X0084-08-24	1/2	12.7	08	M24-1.5	16	30	30
X0084-08-30	1/2	12.7	08	M30-2	20	33	36
X0084-10-24	5/8	15.9	10	M24-1.5	16	31	30
X0084-10-30	5/8	15.9	10	M30-2	20	33	36
X0084-12-30	3/4	19	12	M30-2	20	34	36
X0084-12-36	3/4	19	12	M36-2	25	40	46
X0084-16-36	1	25.4	16	M36-2	25	41	46
X0084-16-42	1	25.4	16	M42-2	30	43	50
X0084-20-52	1.1/4	31.8	20	M52-2	38	44	60
X0084-24-52	1.1/2	38.1	24	M52-2	38	44	60

X0184

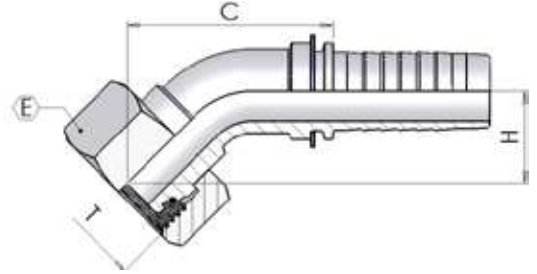
90° Metric Swept Elbow 24° - Seat Heavy



Part number	Hose I.D.		Dimensions					
			dash	Thread		Cut-Off	Hex	Drop
			size	T	Erm	C	E	H
X0184-03-16	3/16	4.8	03	M16-1.5	8	22	19	25
X0184-04-14	1/4	6.4	04	M14-1.5	6	27	17	26
X0184-04-16	1/4	6.4	04	M16-1.5	8	26	19	26
X0184-04-18	1/4	6.4	04	M18-1.5	10	27	22	31
X0184-04-20	1/4	6.4	04	M20-1.5	12	27	24	30
X0184-05-18	5/16	7.9	05	M18-1.5	10	33	22	33
X0184-05-20	5/16	7.9	05	M20-1.5	12	30	24	34
X0184-06-18	3/8	9.5	06	M18-1.5	10	34	22	35
X0184-06-20	3/8	9.5	06	M20-1.5	12	34	24	34
X0184-06-22	3/8	9.5	06	M22-1.5	14	33	27	33
X0184-08-24	1/2	12.7	08	M24-1.5	16	40	30	41
X0184-10-30	5/8	15.9	10	M30-2	20	46	36	50
X0184-12-30	3/4	19	12	M30-2	20	58	36	56
X0184-12-36	3/4	19	12	M36-2	25	56	46	59
X0184-16-36	1	25.4	16	M36-2	25	69	46	67
X0184-16-42	1	25.4	16	M42-2	30	69	50	67
X0184-20-52	1.1/4	31.8	20	M52-2	38	84	60	82
X0184-24-52	1.1/2	38.1	24	M52-2	38	99	60	94

X0284

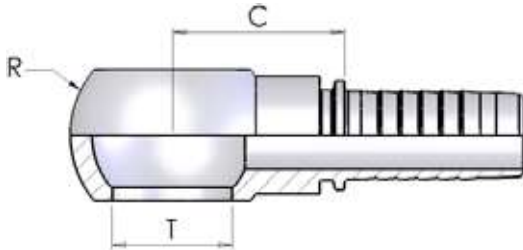
45° Metric Swept Elbow 24° - Seat Heavy



Part number	Hose I.D.		Dimensions					
			dash	Thread		Cut-Off	Hex	Drop
	in	mm	size	T	Erm	C	E	H
X0284-03-16	3/16	4.8	03	M16-1.5	8	36	19	16
X0284-04-14	1/4	6.4	04	M14-1.5	6	37	17	15
X0284-04-16	1/4	6.4	04	M16-1.5	8	42	19	15
X0284-04-18	1/4	6.4	04	M18-1.5	10	45	22	18
X0284-05-20	5/16	7.9	05	M20-1.5	12	49	24	19
X0284-06-18	3/8	9.5	06	M18-1.5	10	51	22	19
X0284-06-20	3/8	9.5	06	M20-1.5	12	53	24	18
X0284-06-22	3/8	9.5	06	M22-1.5	14	54	27	20
X0284-08-24	1/2	12.7	08	M24-1.5	16	63	30	21
X0284-10-30	5/8	15.9	10	M30-2	20	74	36	29
X0284-12-30	3/4	19	12	M30-2	20	87	36	30
X0284-12-36	3/4	19	12	M36-2	25	74	46	31
X0284-16-36	1	25.4	16	M36-2	25	105	46	34
X0284-16-42	1	25.4	16	M42-2	30	82	50	33
X0284-20-52	1.1/4	31.8	20	M52-2	38	105	60	39
X0284-24-52	1.1/2	38.1	24	M52-2	38	157	60	52

X1350

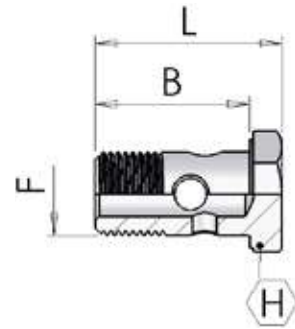
Metric Banjo



Part number	Hose I.D.		Dimensions			
			dash	Hole	Cut-Off	
	in	mm	size	mm	C	R
X1350-03-10	3/16	4.8	03	10.2	25	17
X1350-03-12	3/16	4.8	03	12.2	21	20
X1350-04-10	1/4	6.4	04	10.2	25	17
X1350-04-12	1/4	6.4	04	12.2	22	20
X1350-04-14	1/4	6.4	04	14.2	25	24
X1350-05-14	5/16	7.9	05	14.2	25	24
X1350-05-16	5/16	7.9	05	16.2	31	28
X1350-05-18	5/16	7.9	05	18.2	29	32
X1350-06-14	3/8	9.5	06	14.2	25	24
X1350-06-16	3/8	9.5	06	16.2	31	28
X1350-06-18	3/8	9.5	06	18.2	29	32
X1350-06-22	3/8	9.5	06	22.2	31	36
X1350-08-16	1/2	12.7	08	16.2	30	28
X1350-08-18	1/2	12.7	08	18.2	29	32
X1350-08-22	1/2	12.7	08	22.2	31	36
X1350-10-22	5/8	15.9	10	22.2	31	36
X1350-10-26	5/8	15.9	10	26.2	38	45
X1350-12-22	3/4	19	12	22.2	32	36
X1350-12-26	3/4	19	12	26.2	38	45
X1350-16-30	1	25.4	16	30.2	45	54

X1650

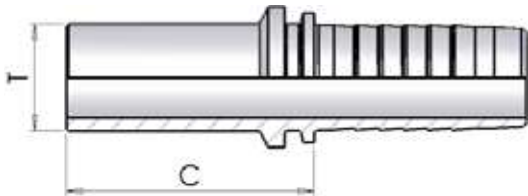
Metric perfored bolt



Part number	Dimensions			Drop
	B	F	L	
X1650-00-12	26	M12 x 1.5	31	17
X1650-00-14	29	M14 x 1.5	34	19
X1650-00-16	33	M16 x 1.5	41	22
X1650-00-18	37	M18 x 1.5	44	24
X1650-00-22	38	M22 x 1.5	46	27
X1650-00-26	47	M26 x 1.5	56	32
X1650-00-30	58	M30 x 1.5	68	36

X0550

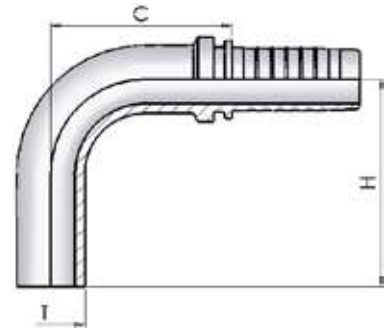
Metric Standpipe



Part number	Hose I.D.		Dimensions			
			dash	pipe		Cut-Off
	in	mm	size	T	Type	C
X0550-03-06	3/16	4.8	03	6	L/S	30
X0550-03-08	3/16	4.8	03	8	L/S	29
X0550-04-06	1/4	6.4	04	6	L/S	32
X0550-04-08	1/4	6.4	04	8	L/S	30
X0550-04-10	1/4	6.4	04	10	L/S	33
X0550-04-12	1/4	6.4	04	12	L/S	30
X0550-05-08	5/16	7.9	05	08	L/S	31
X0550-05-10	5/16	7.9	05	10	L/S	31
X0550-05-12	5/16	7.9	05	12	L/S	33
X0550-06-08	3/8	9.5	06	08	L/S	33
X0550-06-10	3/8	9.5	06	10	L/S	33
X0550-06-12	3/8	9.5	06	12	L/S	32
X0550-06-14	3/8	9.5	06	14	S	37
X0550-06-15	3/8	9.5	06	15	L	32
X0550-08-12	1/2	12.7	08	12	L/S	36
X0550-08-14	1/2	12.7	08	14	S	39
X0550-08-15	1/2	12.7	08	15	L	34
X0550-08-16	1/2	12.7	08	16	S	39
X0550-08-18	1/2	12.7	08	18	L	35
X0550-08-20	1/2	12.7	08	20	S	45
X0550-10-18	5/8	15.9	10	18	L	35
X0550-10-20	5/8	15.9	10	20	S	45
X0550-10-22	5/8	15.9	10	22	L	33
X0550-12-18	3/4	19	12	18	L	37
X0550-12-20	3/4	19	12	20	S	46
X0550-12-22	3/4	19	12	22	L	38
X0550-12-25	3/4	19	12	25	S	49
X0550-12-28	3/4	19	12	28	L	40
X0550-16-25	1	25.4	16	25	S	51
X0550-16-28	1	25.4	16	28	L	41
X0550-16-30	1	25.4	16	30	S	54
X0550-16-38	1	25.4	16	38	S	60
X0550-20-30	1.1/4	31.8	20	30	S	58
X0550-20-35	1.1/4	31.8	20	35	L	48
X0550-20-38	1.1/4	31.8	20	38	S	62
X0550-24-38	1.1/2	38.1	24	38	S	63
X0550-24-42	1.1/2	38.1	24	42	L	50

X0650

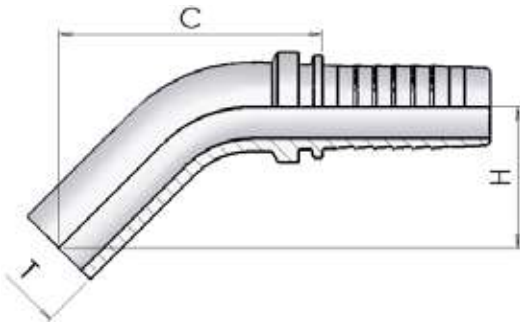
90° Metric Standpipe



Part number	Hose I.D.		Dimensions				
			dash	pipe		Cut-Off	Drop
	in	mm	size	T	Type	C	H
X0650-03-06	3/16	4.8	03	6	L/S	20	32
X0650-04-06	1/4	6.4	04	6	L/S	23	32
X0650-04-08	1/4	6.4	04	8	L/S	25	34
X0650-04-10	1/4	6.4	04	10	L/S	25	43
X0650-05-10	5/16	7.9	05	10	L/S	29	40
X0650-05-12	5/16	7.9	05	12	L/S	29	45
X0650-06-10	3/8	9.5	06	10	L/S	27	40
X0650-06-12	3/8	9.5	06	12	L/S	30	44
X0650-08-14	1/2	12.7	08	14	S	36	46
X0650-08-15	1/2	12.7	08	15	L	39	52
X0650-08-16	1/2	12.7	08	16	S	42	56
X0650-08-18	1/2	12.7	08	18	L	42	56
X0650-10-18	5/8	15.9	10	18	L	42	56
X0650-10-20	5/8	15.9	10	20	S	48	65
X0650-12-20	3/4	19	12	20	S	48	65
X0650-12-22	3/4	19	12	22	L	51	71
X0650-12-25	3/4	19	12	25	S	57	75
X0650-16-25	1	25.4	16	25	S	57	75
X0650-16-28	1	25.4	16	28	L	60	89
X0650-16-30	1	25.4	16	30	S	65	89
X0650-20-30	1.1/4	31.8	20	30	S	66	89
X0650-20-38	1.1/4	31.8	20	38	S	83	102
X0650-24-38	1.1/2	38.1	24	38	S	82	102

X0750

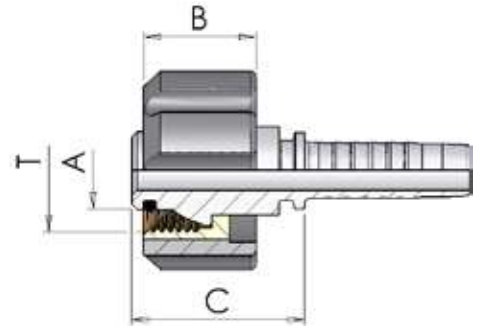
45° Metric Standpipe



Part number	Hose I.D.		Dimensions				
			dash size	pipe T	Type	Cut-Off C	Drop H
	in	mm					
X0750-03-06	3/16	4.8	03	6	L/S	38	25
X0750-04-06	1/4	6.4	04	6	L/S	41	24
X0750-04-08	1/4	6.4	04	8	L/S	43	25
X0750-04-10	1/4	6.4	04	10	L/S	47	30
X0750-05-10	5/16	7.9	05	10	L/S	49	30
X0750-05-12	5/16	7.9	05	12	L/S	53	32
X0750-06-10	3/8	9.5	06	10	L/S	50	33
X0750-06-12	3/8	9.5	06	12	L/S	52	33
X0750-08-14	1/2	12.7	08	14	S	50	27
X0750-08-15	1/2	12.7	08	15	L	55	29
X0750-08-16	1/2	12.7	08	16	S	54	27
X0750-08-18	1/2	12.7	08	18	L	56	29
X0750-10-18	5/8	15.9	10	18	L	56	29
X0750-10-20	5/8	15.9	10	20	S	56	34
X0750-12-20	3/4	19	12	20	S	63	34
X0750-12-22	3/4	19	12	22	L	65	35
X0750-12-25	3/4	19	12	25	S	76	41
X0750-16-25	1	25.4	16	25	S	76	41
X0750-16-28	1	25.4	16	28	L	84	49
X0750-16-30	1	25.4	16	30	S	86	44
X0750-20-30	1.1/4	31.8	20	30	S	88	44
X0750-20-38	1.1/4	31.8	20	38	S	101	50
X0750-24-38	1.1/2	38.1	24	38	S	100	50

XFK50

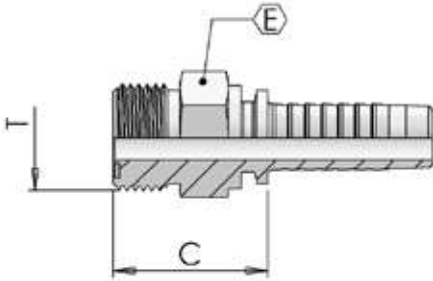
K' Female



Part number	Hose I.D.		Dimensions				
			dash	Thread	Cut-Off		
	in	mm	size	T	C	A	B
XFK50-04-22	1/4	6.4	04	M22-1.5	31	14	20
XFK50-05-22	5/16	7.9	05	M22-1.5	31	14	20
XFK50-06-22	3/8	9.5	06	M22-1.5	31	14	20
XFK50-04022	1/4	6.4	04	M22-1.5	31	14	27
XFK50-05022	5/16	7.9	05	M22-1.5	31	14	27
XFK50-06022	3/8	9.5	06	M22-1.5	31	14	27

XS350

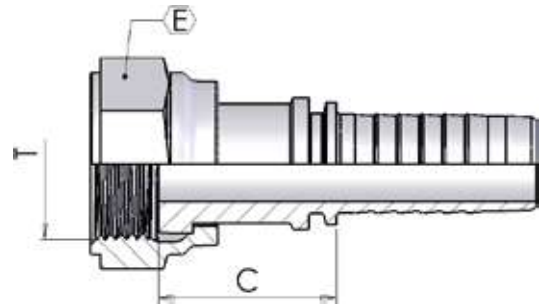
ORFS Male



Part number	Hose I.D.		Dimensions			
			dash	Thread	Cut-Off	Hex
	in	mm	size	T	C	E
XS350-04-06	1/4	6.4	04	9/16-18	23	17
XS350-04-09	1/4	6.4	04	11/16-16	21	19
XS350-05-09	5/16	7.9	05	11/16-16	26	19
XS350-06-09	3/8	9.5	06	11/16-16	26	19
XS350-06-11	3/8	9.5	6	13/16-16	29	22
XS350-08-11	1/2	12.7	08	13/16-16	29	22
XS350-08-13	1/2	12.7	08	1-14	34	27
XS350-08-14	1/2	12.7	08	1.3/16-12	35	32
XS350-10-13	5/8	15.9	10	1-14	33	27
XS350-10-14	5/8	15.9	10	1.3/16-12	35	32
XS350-12-14	3/4	19	12	1.3/16-12	36	32
XS350-12-15	3/4	19	12	1.7/16-12	36	38
XS350-16-15	1	25.4	16	1.7/16-12	37	38
XS350-16-21	1	25.4	16	1.11/16-12	38	46
XS350-20-21	1.1/4	31.8	20	1.11/16-12	39	46

XS050

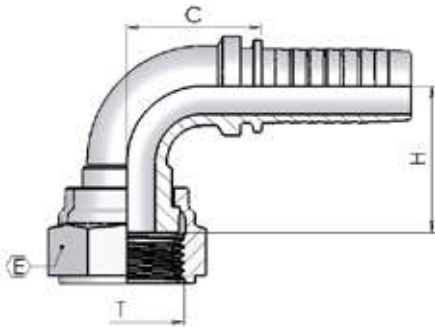
ORFS Female



Part number	Hose I.D.		Dimensions			
			dash	Thread	Cut-Off	Hex
	in	mm	size	T	C	E
XS050-04-06	1/4	6.4	04	9/16-18	25	19
XS050-04-09	1/4	6.4	04	11/16-16	29	22
XS050-05-09	5/16	7.9	05	11/16-16	29	22
XS050-06-09	3/8	9.5	06	11/16-16	29	22
XS050-06-11	3/8	9.5	06	13/16-16	30	24
XS050-08-11	1/2	12.7	08	13/16-16	32	24
XS050-08-13	1/2	12.7	08	1-14	35	30
XS050-08-14	1/2	12.7	08	1.3/16-12	37	36
XS050-10-13	5/8	15.9	10	1-14	35	30
XS050-10-14	5/8	15.9	10	1.3/16-12	34	36
XS050-12-13	3/4	19	12	1-14	37	30
XS050-12-14	3/4	19	12	1.3/16-12	35	36
XS050-12-15	3/4	19	12	1.7/16-12	41	41
XS050-16-15	1	25.4	16	1.7/16-12	39	41
XS050-20-21	1.1/4	31.8	20	1.11/16-12	40	50
XS050-24-32	1.1/2	38.1	24	2-12	41	60

XS150

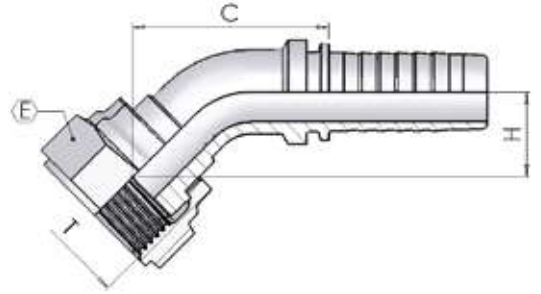
ORFS 90° Swept Elbow



Part number	Hose I.D.		Dimensions				
			dash	Thread	Cut-Off	Hex	Drop
	in	mm	size	T	C	E	H
XS150-04-06	1/4	6.4	04	9/16-18	25	19	26
XS150-04-09	1/4	6.4	04	11/16-16	25	22	23
XS150-05-09	5/16	7.9	05	11/16-16	29	22	32
XS150-06-09	3/8	9.5	06	11/16-16	33	22	33
XS150-06-11	3/8	9.5	06	13/16-16	33	24	32
XS150-08-11	1/2	12.7	08	13/16-16	39	24	36
XS150-08-13	1/2	12.7	08	1-14	39	30	40
XS150-08-14	1/2	12.7	08	1.3/16-12	42	36	39
XS150-10-13	5/8	15.9	10	1-14	47	30	39
XS150-12-14	3/4	19	12	1.3/16-12	57	36	49
XS150-12-15	3/4	19	12	1.7/16-12	56	41	51
XS150-16-15	1	25.4	16	1.7/16-12	67	41	62
XS150-20-21	1.1/4	31.8	20	1.11/16-12	86	50	72
XS150-24-32	1.1/2	38.1	24	2-12	103	60	82

XS250

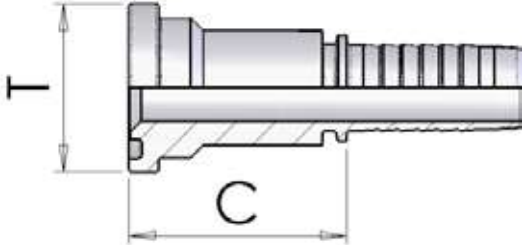
ORFS 45° Swept Elbow



Part number	Hose I.D.		Dimensions				
			dash	Thread	Cut-Off	Hex	Drop
	in	mm	size	T	C	E	H
XS250-04-06	1/4	6.4	04	9/16-18	40	19	14
XS250-04-09	1/4	6.4	04	11/16-16	38	22	14
XS250-05-09	5/16	7.9	05	11/16-16	44	22	14
XS250-06-09	3/8	9.5	06	11/16-16	52	22	17
XS250-06-11	3/8	9.5	06	13/16-16	51	24	18
XS250-08-11	1/2	12.7	08	13/16-16	62	24	20
XS250-08-13	1/2	12.7	08	1-14	64	30	23
XS250-08-14	1/2	12.7	08	1.3/16-12	62	36	23
XS250-10-13	5/8	15.9	10	1-14	67	30	22
XS250-12-14	3/4	19	12	1.3/16-12	84	36	23
XS250-12-15	3/4	19	12	1.7/16-12	84	41	26
XS250-16-15	1	25.4	16	1.7/16-12	100	41	31
XS250-20-21	1.1/4	31.8	20	1.11/16-12	111	50	44
XS250-24-32	1.1/2	38.1	24	2-12	123	60	53

X1260

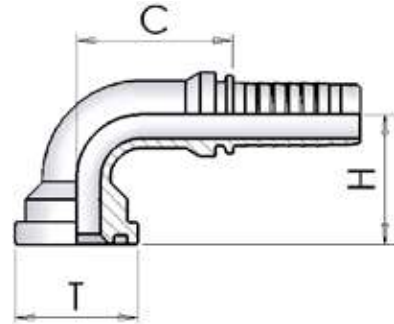
Straight SAE Flange 3000 PSI



Part number	Hose I.D.		Dimensions			
			dash	Flange		Cut-Off
	in	mm	size	T	mm	C
X1260-08-08	1/2	12.7	08	1/2	30,2	45
X1260-08-12	1/2	12.7	08	3/4	38.1	50
X1260-10-08	5/8	15.9	10	1/2	30,2	45
X1260-10-12	5/8	15.9	10	3/4	38.1	49
X1260-12-12	3/4	19	12	3/4	38.1	50
X1260-12-16	3/4	19	12	1	44.5	53
X1260-16-16	1	25.4	16	1	44.5	54
X1260-16-20	1	25.4	16	1.1/4	50.8	57
X1260-20-20	1.1/4	31.8	20	1.1/4	50.8	59
X1260-20-24	1.1/4	31.8	20	1.1/2	60.3	62
X1260-24-24	1.1/2	38.1	24	1.1/2	60.3	62
X1260-24-32	1.1/2	38.1	24	2	71.4	67
X1260-32-32	2	50.8	32	2	71.4	68
X1260-32-40	2	50.8	32	2.1/2	84.1	76

X1060

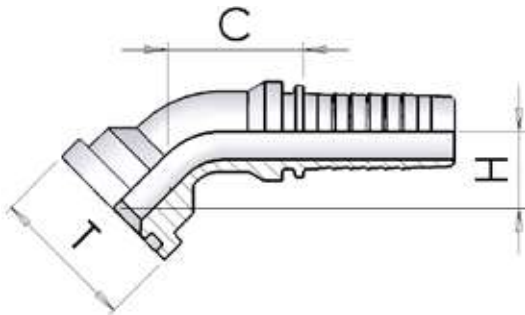
90° SAE Flange 3000 PSI



Part number	Hose I.D.		Dimensions				
			dash size	Flange		Cut-Off	Drop
	in	mm		T	mm	C	H
X1060-08-08	1/2	12.7	08	1/2	30.2	39	39
X1060-08-12	1/2	12.7	08	3/4	38.1	39	44
X1060-10-08	5/8	15.9	10	1/2	30.2	45	42
X1060-10-12	5/8	15.9	10	3/4	38.1	45	47
X1060-12-12	3/4	19	12	3/4	38.1	56	53
X1060-12-16	3/4	19	12	1	44.5	56	58
X1060-16-16	1	25.4	16	1	44.5	70	65
X1060-16-20	1	25.4	16	1.1/4	50.8	70	70
X1060-16-24	1	25.4	16	1.1/2	60.3	72	71
X1060-20-16	1.1/4	31.8	20	1	44.5	81	77
X1060-20-20	1.1/4	31.8	20	1.1/4	50.8	86	77
X1060-20-24	1.1/4	31.8	20	1.1/2	60.3	85	81
X1060-24-24	1.1/2	38.1	24	1.1/2	60.3	98	89
X1060-24-32	1.1/2	38.1	24	2	71.4	93	97
X1060-32-32	2	50.8	32	2	71.4	123	121

X1160

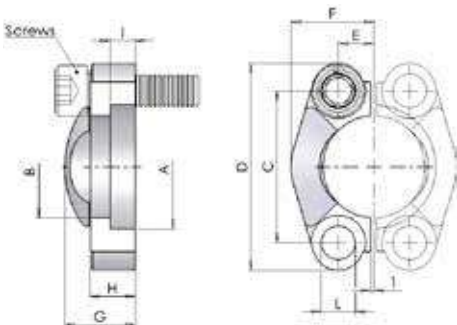
45° SAE Flange 3000 PSI



Part number	Hose I.D.		Dimensions				
			dash size	Flange		Cut-Off C	Drop H
	in	mm		T	mm		
X1160-08-08	1/2	12.7	08	1/2	30,2	62	22
X1160-08-12	1/2	12.7	08	3/4	38.1	67	25
X1160-12-12	3/4	19	12	3/4	38.1	69	27
X1160-12-16	3/4	19	12	1	44.5	88	30
X1160-16-16	1	25.4	16	1	44.5	82	33
X1160-16-20	1	25.4	16	1.1/4	50.8	108	37
X1160-20-20	1.1/4	31.8	20	1.1/4	50.8	102	38
X1160-20-24	1.1/4	31.8	20	1.1/2	60.3	129	39
X1160-24-24	1.1/2	38.1	24	1.1/2	60.3	114	44
X1160-24-32	1.1/2	38.1	24	2	71.4	148	47
X1160-32-32	2	50.8	32	2	71.4	130	58

XS003

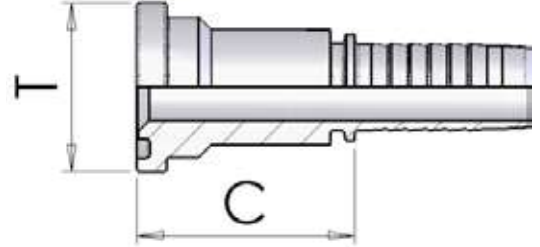
Cut Split Flanges - 3000 psi



Part number	Dimensions										Drop H	Sae SIZE
	A	B	C	D	E	F	G	I	L			
	XS003-08	30.96	24.3	38.1	54	8.7	22.8	19	6.2	8.8		
XS003-12	38.89	32.1	47.6	65	11.1	25.9	22	6.2	10.8	14	3/4"	
XS003-16	45.24	38.5	52.4	70	13.1	29.2	24	7.5	10.8	16	1"	
XS003-20	51.59	43.7	58.7	79	15.1	36.3	22	7.5	12	14	1"1/4	
XS003-24	61.09	50.8	69.9	94	17.9	41.1	25	7.5	13.5	16	1"1/2	
XS003-32	72.24	62.7	77.8	102	21.4	48.2	26	9	13.5	16	2"	

X1310

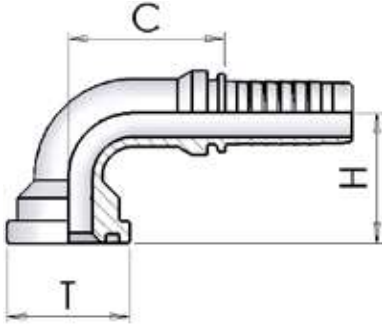
Straight SAE Flange 6000 PSI



Part number	Hose I.D.		Dimensions			
			dash size	Flange		Cut-Off C
	in	mm		T	mm	
X1310-08-08	1/2	12.7	08	1/2	31,8	46
X1310-08-12	1/2	12.7	08	3/4	41.3	53
X1310-10-08	5/8	15.9	10	1/2	31,8	46
X1310-10-12	5/8	15.9	10	3/4	41.3	53
X1310-10-16	5/8	15.9	10	1	47.6	59
X1310-12-12	3/4	19	12	3/4	41.3	54
X1310-12-16	3/4	19	12	1	47.6	60
X1310-16-12	1	25.4	16	3/4	41.3	55
X1310-16-16	1	25.4	16	1	47.6	61
X1310-16-20	1	25.4	16	1.1/4	54	68
X1310-20-20	1.1/4	31.8	20	1.1/4	54	70
X1310-20-24	1.1/4	31.8	20	1.1/2	63.5	76
X1310-24-24	1.1/2	38.1	24	1.1/2	63.5	76
X1310-24-32	1.1/2	38.1	24	2	79.4	85
X1310-32-32	2	50.8	32	2	79.4	85

X1110

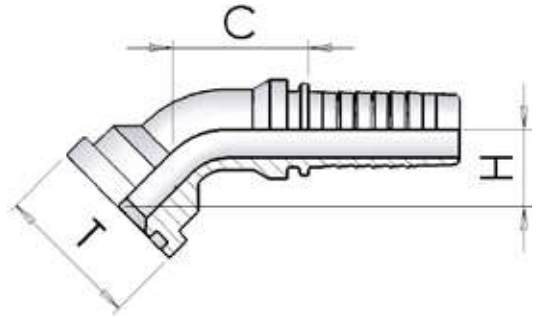
90° SAE Flange 6000 PSI



Part number	Hose I.D.		Dimensions				
			dash	Flange		Cut-Off	Drop
	in	mm	size	T	mm	C	H
X1110-08-08	1/2	12.7	08	1/2	31.8	39	39
X1110-08-12	1/2	12.7	08	3/4	41.3	39	48
X1110-10-08	5/8	15.9	10	1/2	31.8	45	42
X1110-10-12	5/8	15.9	10	3/4	41.3	44	52
X1110-10-16	5/8	15.9	10	1	47.6	45	56
X1110-12-08	3/4	19	12	1/2	32	56	54
X1110-12-12	3/4	19	12	3/4	41.3	56	55
X1110-12-16	3/4	19	12	1	47.6	56	63
X1110-16-12	1	25.4	16	3/4	41.3	68	64
X1110-16-16	1	25.4	16	1	47.6	70	69
X1110-16-20	1	25.4	16	1.1/4	54	71	74
X1110-20-20	1.1/4	31.8	20	1.1/4	54	97	83
X1110-20-24	1.1/4	31.8	20	1.1/2	63.5	97	90
X1110-24-24	1.1/2	38.1	24	1.1/2	63.5	102	99
X1110-24-32	1.1/2	38.1	24	2	79.4	103	108
X1110-32-32	2	50.8	32	2	79.4	125	136

X1210

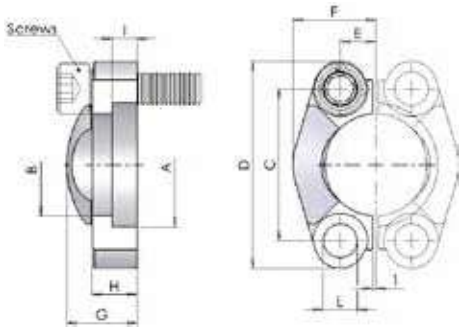
45° SAE Flange 6000 PSI



Part number	Hose I.D.		Dimensions				
			dash size	Flange		Cut-Off C	Drop H
				T	mm		
X1210-08-08	1/2	12.7	08	1/2	31.8	62	22
X1210-08-12	1/2	12.7	08	3/4	41.3	69	28
X1210-10-08	5/8	15.9	10	1/2	31.8	66	21
X1210-10-12	5/8	15.9	10	3/4	41.3	75	27
X1210-10-16	5/8	15.9	10	1	47.6	77	32
X1210-12-12	3/4	19	12	3/4	41.3	74	28
X1210-12-16	3/4	19	12	1	47.6	90	32
X1210-16-12	1	25.4	16	3/4	41.3	101	30
X1210-16-16	1	25.4	16	1	47.6	86	34
X1210-16-20	1	25.4	16	1.1/4	54	112	41
X1210-20-20	1.1/4	31.8	20	1.1/4	54	107	43
X1210-20-24	1.1/4	31.8	20	1.1/2	63.5	149	48
X1210-24-24	1.1/2	38.1	24	1.1/2	63.5	122	50
X1210-24-32	1.1/2	38.1	24	2	79.4	163	66
X1210-32-32	2	50.8	32	2	79.4	145	68

XS006

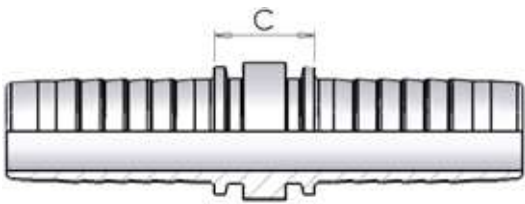
Cut Split Flanges - 6000 psi



Part number	Dimensions											Sae SIZE
	A	B	C	D	E	F	G	I	L	H		
XS006-08	32.54	24.6	40.5	56	9.1	23.6	22	7.2	8.8	16	1/2"	
XS006-12	42.06	32.5	50.8	71	11.9	30	28	8.3	11	19	3/4"	
XS006-16	48.41	38.9	57.2	81	13.9	34.8	33	9	13	24	1"	
XS006-20	54.76	44.5	66.7	95	15.9	38.6	38	9.8	15	27	1 1/4"	
XS006-24	64.29	51.6	79.4	113	18.3	47.5	43	12.1	17	30	1 1/2"	
XS006-32	80.16	67.6	96.8	133	22.2	56.9	52	12.1	21	37	2"	

XD050

Hose Junction



Part number	Hose I.D.		Dimensions	
			dash	Cut-Off
	in	mm	size	C
XD050-03	3/16	4.8	03	17
XD050-04	1/4	6.4	04	17
XD050-05	5/16	7.9	05	17
XD050-06	3/8	9.5	06	17
XD050-08	1/2	12.7	08	18
XD050-10	5/8	15.9	10	18
XD050-12	3/4	19	12	19
XD050-16	1	25.4	16	21
XD050-20	1.1/4	31.8	20	24
XD050-24	1.1/2	38.1	24	24
XD050-32	2	50.8	32	26