

<p><b>Braided Trecciato</b></p>	<p><b>001C</b></p> <p>Swaged Ferrule (no skive)</p> <p>9</p>	<p><b>0022</b></p> <p>Swaged Ferrule (no skive)</p> <p>10</p>	<p><b>0001</b></p> <p>Swaged Ferrule (skive)</p> <p>11</p>	<p><b>0002</b></p> <p>Swaged Ferrule (skive)</p> <p>12</p>	
	<p><b>003T</b></p> <p>Swaged Ferrule (no skive)</p> <p>12</p>	<p><b>Textile Tessile</b></p>	<p><b>0003</b></p> <p>Swaged Ferrule (no skive)</p> <p>13</p>	<p><b>Thermo plastic</b></p>	
	<p><b>0007</b></p> <p>Swaged Ferrule (no skive)</p> <p>13</p>		<p><b>0008</b></p> <p>Swaged Ferrule (no skive)</p> <p>14</p>		<p><b>PTFE</b></p>
	<p><b>Spiral</b></p>	<p><b>0009</b></p> <p>Swaged Ferrule (skive)</p> <p>15</p>	<p><b>004H</b></p> <p>Swaged Ferrule (skive)</p> <p>16</p>	<p><b>BMC1</b></p> <p>Swaged Ferrule (no skive)</p> <p>16</p>	
		<p><b>BSP Flat</b></p>	<p><b>0345</b></p> <p>BSP Male - Flat Seat</p> <p>17</p>	<p><b>0060</b></p> <p>BSP Female Flat Seal</p> <p>18</p>	<p><b>MALE BSP 60°</b></p>

**035G**



BSP Male Parallel 60°  
Cone - Rotating

20



**0051**



BSP Female 60° Cone  
Rolled Nut

21

**0050**



BSP Female 60° cone  
Thrust Wire

22

**0052**



BSP Female 60° Cone  
Slip On Nut

23

**0041**



BSP O'Ring Female  
60° Cone- Rolled Nut

23

**0040**



BSP O'Ring Female  
60° Cone-Thrust wire

24

**0042**



BSP O'Ring Female  
60° Cone - Slip on nut

24

**0151**



BSP 90° Swept elbow  
60° cone Rolled Nut

25

**0150**



BSP 90° Swept Elbow  
60° cone Thrust Wire

26

**0152**



BSP 90° Swept elbow  
60° cone Slip On Nut

27

**0141**



BSP O'Ring 90° Swept  
elbow 60° cone- Rol-  
led Nut

27

**0140**



BSP O'Ring 90° Swept  
elbow 60° cone-  
Thrust Wire Nut

28

**0142**



BSP O'Ring 90° Swept  
elbow 60° cone- Slip  
on nut

28

**2300**



BSP 90° Compact El-  
bow 60° Cone - Thrust  
wire - Welded

29

**2301**



BSP 90° Compact El-  
bow 60° Cone - Rolled  
nut - Welded

29

**2320**



BSP 90° Compact El-  
bow 60° Cone - Thrust  
wire

30

**2321**



BSP 90° Compact El-  
bow 60° Cone - Rolled  
nut

30

**0251**



BSP 45° Swept Elbow  
60° Cone - Rolled nut

31

**0250**



BSP 45° Swept Elbow  
60° Cone - Thrust  
Wire Nut

32

**0252**



BSP 45° Swept Elbow  
60° Cone - Slipse on  
nut

33

**0241**



BSP O'Ring 45° Swept  
Elbow 60° Cone - Rol-  
led nut

33

**0240**



BSP O'Ring 45° Swept  
Elbow 60° Cone -  
Thrust Wire Nut

34

**0242**



BSP O'Ring 45° Swept  
Elbow 60° Cone - Slip  
on nut

34



**0360**



BSP Taper Male 60° cone

35



**1400**



BSP Banjo

36

**1600**



Double BSP perfored bolt

37

**1600-00**



BSP perfored bolt

37



**0370**



NPTF Male 60° cone

38

**037G**



NPTF Male Parallel 60° Cone - Rotating

39

**N051**



NPSM Female 60° Cone Rolled Nut

39



**0850**



JIC Male 74° cone

40



**0901**



JIC Female 74° cone - Rolled Nut

41

**0900**



JIC Female 74° Thrust Wire Nut

42

**0902**



JIC Female 74° - Slip on nut

43

**0901D**



JIC Female 74° cone - Double hexagon

44

**0951**



JIC 90° Swept Elbow 74° cone - Rolled Nut

45

**0950**



JIC 90° Swept Elbow 74° cone - Thrust Wire Nut

46

**0952**



JIC 90° Swept Elbow 74° cone - Slip on nut

47

**2970**



JIC 90° Compact Elbow 74° cone - Thrust Wire Nut

48

**2971**



JIC 90° Compact Elbow 74° cone - Crimped Nut

48

**2950**



JIC 90° Compact Elbow 74° cone - Thrust Wire Nut - Welded

49

**2951**



JIC 90° Compact Elbow 74° cone - Rolled Nut - Welded

49

**1001**



JIC 90° Swept Elbow 74° cone - Rolled Nut

50

**1002**



JIC 45° Swept Elbow  
74° Cone Slipe on nut

51



**0385**



SAE Male O'R Flat  
Seat

52

**0390**



Swivel Male O'Ring

52

**0395**



90° Swivel Male O'ring

53



**IF00**



Straight Male Inverted  
Flare Swivel

53

**IF90**



90° Male Inverted  
Flare Swivel

54

**IF45**



45° Male Inverted  
Flare Swivel

54



**0400**



Metric Male 60° cone

55

**0100**



Metric Female 60°  
cone

56

**0200**



90° Metric Swept  
Elbow 60° cone

56

**0300**



45° Metric Swept  
Elbow 60° cone

57



**0035**



Metric Female 24°  
Seat Light Multiseal

57

**0135**



90° Metric Swept  
Elbow 24° Seat Light  
Multiseal

58

**0235**



45° Metric Swept  
Elbow 24° Seat Light  
Multiseal

58



**0500**



Metric Male 24° Seat  
Light

59



**0085**



Metric Female 24°  
Seat Light

60

**0085R**



Metric Female 24°  
Seat Light (rolled nut)

61

**0185**



90° Metric Swept  
Elbow 24° Seat Light

62

**0185R**



90° Metric Swept Elbow 24° Seat Light (rolled nut)

63

**0285**



45° Metric Swept Elbow 24° Seat Light

64

**0285R**



45° Metric Swept Elbow 24° Seat Light (rolled nut)

65



**0450**



Metric Male 24° Seat Heavy

66



**0084**



Metric Female 24° Seat Heavy

67

**0184**



90° Metric Swept Elbow 24° Seat Heavy

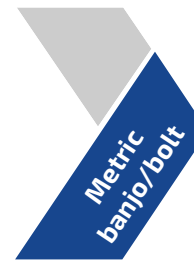
68

**0284**



45° Metric Swept Elbow 24° Seat Heavy

69



**1350**



Metric Banjo

70

**1650**



Metric perfored bolt

71

**0550**



Metric Standpipe

72



**0650**



90° Metric Standpipe

73

**0650S**



90° Metric Standpipe (welded)

74

**0750**



45° Metric Standpipe

75

**0750S**



45° Metric Standpipe (Welded)

76



**0030**



Metric Female 24° Cone French Type

77

**0130**



90° Metric Swept Elbow 24° Cone French Type

W



**FK50**



K' Female

78

**FN50**



'K' Male (for gun) - Diameter 10

78

**FN51**



'K' Male (for gun) - Diameter 11

79



**0398**



Staplelock Male

79



**K05B**



Kobelko Male

80



**S350**



ORFS Male

81



**S050**



ORFS Female

82

**S05T**



ORFS Female Back Hexagon

83

**S150**



ORFS 90° Swept Elbow

84

**S250**



ORFS 45° Swept Elbow

85



**0920**



JIS Female 60° cone (Nissan)

86



**0930**



JIS Female 60° cone (Toyota)

86

**0980S**



90° JIS Swept Elbow (Toyota) - welded

87

**1030S**



45° JIS Swept Elbow (Toyota) - welded

87



**0940**



JIS Female 60° Cone (Komatsu)

88

**0990S**



90° JIS Swept Elbow (Komatsu) - welded

89

**1040S**



45° JIS Swept Elbow (Komatsu) - welded

89

**1050**



Komatsu Flange 90°

90

**1150**



Komatsu Flange 45°

90

**1250**



Komatsu Flange - Straight

91



**1260**



Straight SAE Flange  
3000 PSI

92

**1060**



90° SAE Flange 3000  
PSI

93

**1160**



45° SAE Flange 3000  
PSI

94

**1060**



22.5°/30°/60°/67.5°  
SAE Flange 3000 PSI

95



**FS3L**



90° SAE Flange 3000  
Psi - Long Drop

96

**S003**



Cut Split Flanges -  
3000 psi

96



**1310**



Straight SAE Flange  
6000 PSI

97

**1110**



90° SAE Flange 6000  
PSI

98

**1210**



45° SAE Flange 6000  
PSI

99

**FS6L**



90° SAE Flange 6000  
Psi - Long Drop

100

**S006**



Cut Split Flanges -  
6000 psi

100



**130S**



Straight 'CAT' Flange

101

**110S**



90° 'CAT' Flange

101

**120S**



45° 'CAT' Flange

102



**D050**



Hose Junction

103



**GS00**

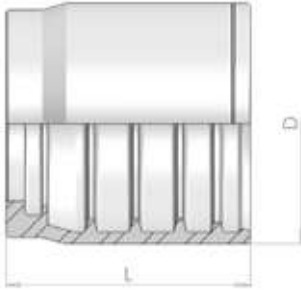


Weldable Fitting

104

# 001C

## Swaged Ferrule (no skive)

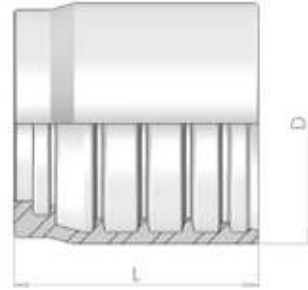


Part number	Hose I.D.		Dimensions		Skive Length
			D	L	
	in	mm			
001C-03	3/16	4,8	185	24	NO
001C-04	1/4	6.4	20	26	NO
001C-05	5/16	7.9	22	26	NO
001C-06	3/8	9.5	25	28	NO
001C-08	1/2	12.7	28	28	NO
001C-10	5/8	15.9	32	31	NO
001C-12	3/4	19	36	38	NO
001C-16	1	25.4	44	475	NO
001C-20	1.1/4	31.8	54	56	NO
001C-24	1.1/2	38.1	62	66	NO
001C-32	2	50.8	75	73	NO
001C-40	2.1/2	63,5	88	90	NO
001C-48	3	76,2	101	90	NO



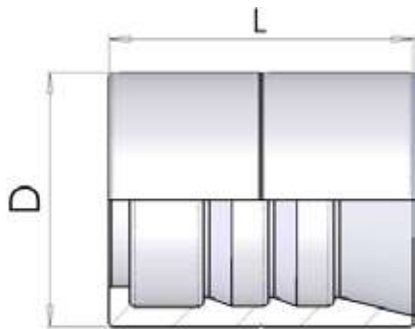
# 0022

## Swaged Ferrule (no skive)



Part number	Hose I.D.		Dimensions		Skive Length
			D	L	
	in	mm			
0022-03	3/16	4.8	21	256	NO
0022-04	1/4	6.4	22	28	NO
0022-05	5/16	7.9	24	28	NO
0022-06	3/8	9.5	26	28	NO
0022-08	1/2	12.7	30	31	NO
0022-10	5/8	15.9	34	31	NO
0022-12	3/4	19	37	38	NO
0022-16	1	25.4	47	475	NO
0022-20	1.1/4	31.8	58	56	NO
0022-24	1.1/2	38.1	656	66	NO
0022-32	2	50.8	786	73	NO

# 0001

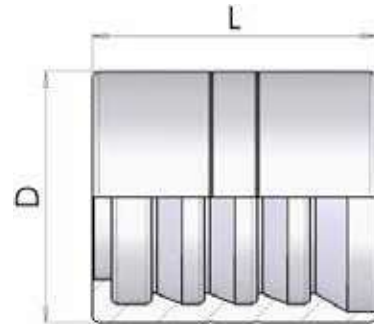


## Swaged Ferrule (skive)

Part number	Hose I.D.		Dimensions		Skive Length
			D	L	
	in	mm			
0001-03	3/16	4.8	175	27	20
0001-04	1/4	6.4	20	302	23
0001-05	5/16	7.9	22	307	23
0001-06	3/8	9.5	24	32	24
0001-08	1/2	12.7	285	34	25
0001-10	5/8	15.9	32	37	27
0001-12	3/4	19	36	43	31
0001-16	1	25.4	43	50	37
0001-20	1.1/4	31.8	52	57	46
0001-24	1.1/2	38.1	57	63	44
0001-32	2	50.8	706	78	60

# 0002

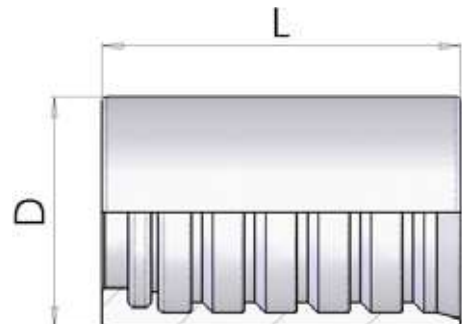
## Swaged Ferrule (skive)



Part number	Hose I.D.		Dimensions		Skive Length
	in	mm	D	L	
0002-03	3/16	4.8	20	27	21
0002-04	1/4	6.4	21	30	22
0002-05	5/16	7.9	24	30	22
0002-06	3/8	9.5	25.4	32	24
0002-08	1/2	12.7	30	34	25
0002-10	5/8	15.9	34	37	27
0002-12	3/4	19	38	43	31
0002-16	1	25.4	46	50	37
0002-20	1.1/4	31.8	56	59	43
0002-24	1.1/2	38.1	62	63	45
0002-32	2	50.8	75	79	61
0002-40	2.1/2	63.5	95	83.7	63
0002-48	3	76.2	105.6	94.3	78

# 003T

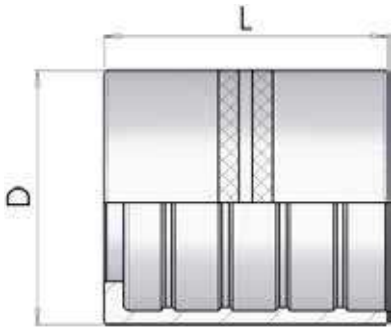
## Swaged Ferrule (no skive)



Part number	Hose I.D.		Dimensions		Skive Length
	in	mm	D	L	
003T-08	1/2	12.7	31	325	NO
003T-10	5/8	15.9	34	34	NO

# 0003

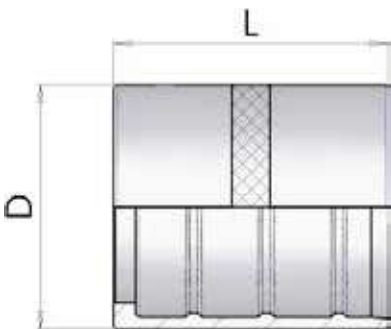
## Swaged Ferrule (no skive)



Part number	Hose I.D.		Dimensions		Skive Length
			D	L	
	in	mm			
0003-03	3/16	4.8	14	27	NO
0003-04	1/4	6.4	19	29	NO
0003-05	5/16	7.9	22	30	NO
0003-06	3/8	9.5	24	31	NO
0003-08	1/2	12.7	28.5	34	NO
0003-10	5/8	15.9	32	36	NO
0003-12	3/4	19	38	42	NO
0003-16	1	25.4	46	50	NO
0003-20	1.1/4	31.8	52	57	NO

# 0007

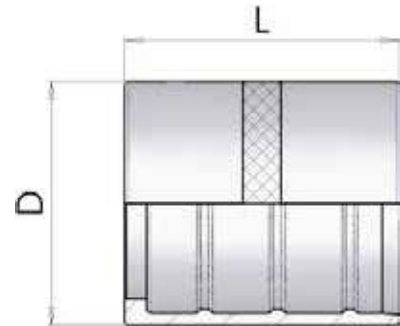
## Swaged Ferrule (no skive)



Part number	Hose I.D.		Dimensions		Skive Length
			D	L	
	in	mm			
0007-03	3/16	4.8	14	27	NO
0007-04	1/4	6.4	17	29	NO
0007-05	5/16	7.9	19	30	NO
0007-06	3/8	9.5	21	31	NO
0007-08	1/2	12.7	25.4	34	NO
0007-10	5/8	15.9	28.5	36	NO
0007-12	3/4	19	32	36	NO
0007-16	1	25.4	40	50	NO

# 0008

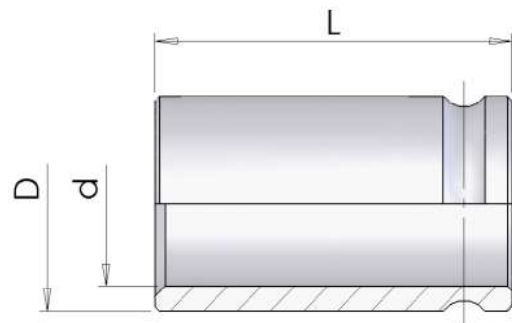
## Swaged Ferrule (no skive)



Part number	Hose I.D.		Dimensions		Skive Length
			D	L	
	in	mm			
0008-03	3/16	4.8	13	27	NO
0008-04	1/4	6.4	17	29	NO
0008-05	5/16	7.9	19	30	NO
0008-06	3/8	9.5	21.5	31	NO
0008-08	1/2	12.7	26	34	NO
0008-10	5/8	15.9	29	40	NO
0008-12	3/4	19	32	42	NO
0008-16	1	25.4	40	50	NO

# PTFE

## Ferrule for PTFE hose



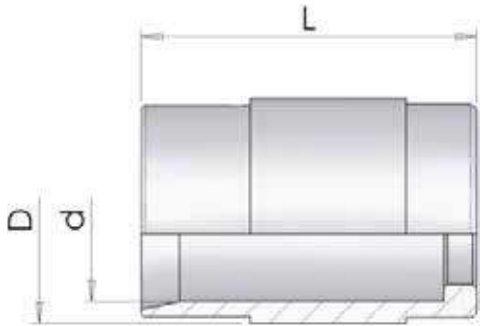
For PTFE hose type T1 - (with standard fittings)

Part number	Hose I.D.		Dimensions		Skive Length
			D	L	
	in	mm			
PTFE-03	3/16	4.8	127	22	NO
PTFE-04	1/4	6.4	144	239	NO
PTFE-05	5/16	7.9	171	246	NO
PTFE-06	3/8	9.5	19	274	NO
PTFE-08	1/2	12.7	224	287	NO
PTFE-10	5/8	15.9	27	317	NO
PTFE-12	3/4	19	287	345	NO
PTFE-16	1	25.4	381	436	NO

# PTFE-C

## Ferrule for PTFE hose

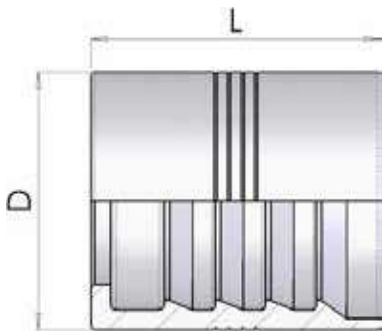
For PTFE hose type LTC – (with standard fittings)



Part number	Hose I.D.		Dimensions		Skive Length
	in	mm	D	L	
PTFE-04-C	1/4	6.4	178	265	NO
PTFE-06-C	3/8	9.5	20	305	NO
PTFE-08-C	1/2	12.7	24	332	NO
PTFE-10-C	5/8	15.9	292	348	NO
PTFE-12-C	3/4	19	311	409	NO
PTFE-16-C	1	25.4	385	47	NO

# 0009

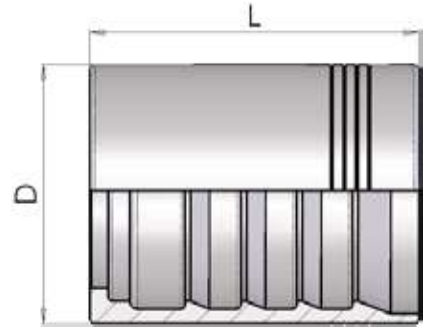
## Swaged Ferrule (skive)



Part number	Hose I.D.		Dimensions		Skive Length
	in	mm	D	L	
0009-04	1/4	6.4	21	30	22
0009-06	3/8	9.5	254	335	26
0009-08	1/2	12.7	30	36	28
0009-10	5/8	15.9	34	40	31
0009-12	3/4	19	38	43	34
0009-16	1	25.4	46	60	48
0009-20	1.1/4	31.8	56	66	54
0009-24	1.1/2	38.1	67	765	62
0009-32	2	50.8	80	798	64

# 004H

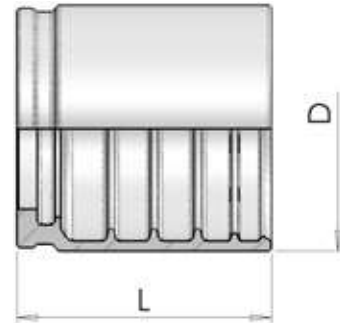
## Swaged Ferrule (skive)



Part number	Hose I.D.		Dimensions		Skive Length
			D	L	
	in	mm			
004H-20	1.1/4	31.8	52	66	55
004H-24	1.1/2	38.1	62	765	63
004H-32	2	50.8	75	798	65

# BMC1

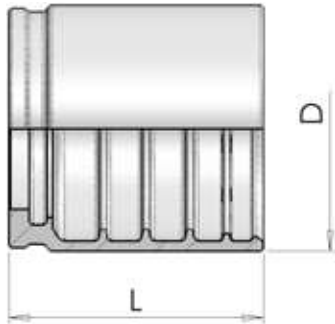
## Swaged Ferrule (no skive)



Part number	Hose I.D.		Dimensions		Skive Length
			D	L	
	in	mm			
BMC1-12	3/4	19	45	41	NO
BMC1-16	1	25.4	535	56	NO
BMC1-20	1.1/4	31.8	62	62	NO

# BMC2

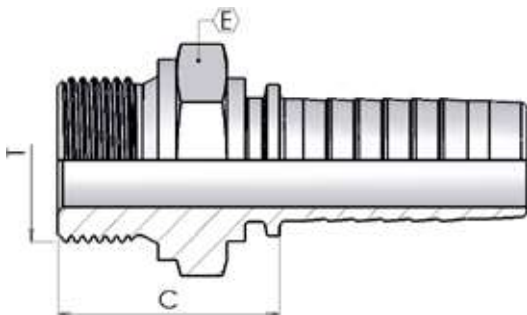
## Swaged Ferrule (no skive)



Part number	Hose I.D.		Dimensions		Skive Length
			D	L	
	in	mm			
BMC2-20	1.1/4	31.8	66	62	NO
BMC2-24	1.1/2	38.1	73	70	NO

# 0345

## BSP Male - Flat Seat

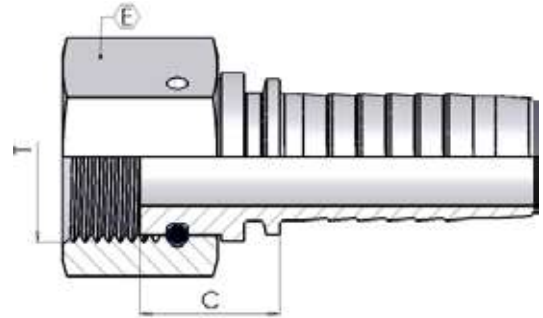


Part number	Hose I.D.		Dimensions			
			dash size	Thread T	Cut-Off C	Hex E
	in	mm				
0345-03-02	3/16	4.8	03	1/8-28	21	14
0345-04-04	1/4	6.4	04	1/4-19	27	19
0345-04-06	1/4	6.4	04	3/8-19	28	22
0345-05-06	5/16	7.9	05	3/8-19	28	22
0345-06-06	3/8	9.5	06	3/8-19	29	22
0345-06-08	3/8	9.5	06	1/2-14	32	27
0345-08-08	1/2	12.7	08	1/2-14	33	27
0345-08-10	1/2	12.7	08	5/8-14	35	30
0345-08-12	1/2	12.7	08	3/4-14	35	32
0345-10-10	5/8	15.9	10	5/8-14	35	30
0345-10-12	5/8	15.9	10	3/4-14	35	32
0345-12-12	3/4	19	12	3/4-14	36	32
0345-12-16	3/4	19	12	1-11	39	41
0345-16-16	1	25.4	16	1-11	40	41



# 0060

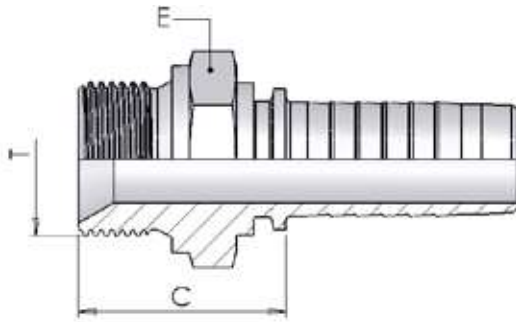
## BSP Female Flat Seal



Part number	Hose I.D.		Dimensions			
			dash	Thread	Cut-Off	Hex
	in	mm	size	T	C	E
0060-04-04	1/4	6.4	04	1/4-19	14	19
0060-04-06	1/4	6.4	04	3/8-19	15	22
0060-05-04	5/16	7.9	05	1/4-19	14	19
0060-05-06	5/16	7.9	05	3/8-19	15	22
0060-05-08	5/16	7.9	05	1/2-14	17	27
0060-06-06	3/8	9.5	06	3/8-19	15	22
0060-06-08	3/8	9.5	06	1/2-14	16	27
0060-08-08	1/2	12.7	08	1/2-14	16	27
0060-08-10	1/2	12.7	08	5/8-14	16	30
0060-08-12	1/2	12.7	08	3/4-14	23	32
0060-10-10	5/8	15.9	10	5/8-14	16	30
0060-10-12	5/8	15.9	10	3/4-14	20	32
0060-12-12	3/4	19	12	3/4-14	21	32
0060-12-16	3/4	19	12	1-11	23	38
0060-16-16	1	25.4	16	1-11	22	38
0060-24-24	1.1/2	38.1	24	1.1/2-11	27	55

# 0350

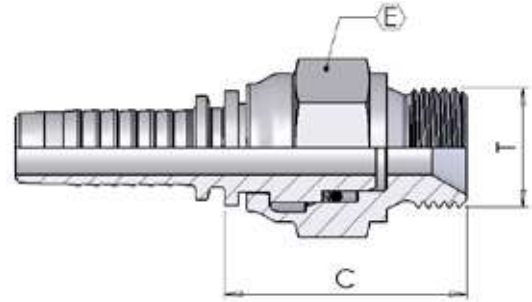
## BSP Male Parallel 60° cone



Part number	Hose I.D.		Dimensions			
			dash	Thread	Cut-Off	Hex
			size	T	C	E
0350-03-02	3/16	4.8	03	1/8-28	21	14
0350-03-04	3/16	4.8	03	1/4-19	26	19
0350-04-02	1/4	6.4	04	1/8-28	21	14
0350-04-04	1/4	6.4	04	1/4-19	27	19
0350-04-06	1/4	6.4	04	3/8-19	28	22
0350-04-08	1/4	6.4	04	1/2-14	35	27
0350-05-04	5/16	7.9	05	1/4-19	27	19
0350-05-06	5/16	7.9	05	3/8-19	28	22
0350-05-08	5/16	7.9	05	1/2-14	32	27
0350-06-04	3/8	9.5	06	1/4-19	27	19
0350-06-06	3/8	9.5	06	3/8-19	29	22
0350-06-08	3/8	9.5	06	1/2-14	32	27
0350-08-06	1/2	12.7	08	3/8-19	29	22
0350-08-08	1/2	12.7	08	1/2-14	33	27
0350-08-10	1/2	12.7	08	5/8-14	34	30
0350-08-12	1/2	12.7	08	3/4-14	35	32
0350-10-08	5/8	15.9	10	1/2-14	33	27
0350-10-10	5/8	15.9	10	5/8-14	35	30
0350-10-12	5/8	15.9	10	3/4-14	35	32
0350-12-12	3/4	19	12	3/4-14	36	32
0350-12-16	3/4	19	12	1-11	39	41
0350-16-16	1	25.4	16	1-11	40	41
0350-16-20	1	25.4	16	1.1/4-11	44	50
0350-20-16	1.1/4	31.8	20	1-11	41	41
0350-20-20	1.1/4	31.8	20	1.1/4-11	45	50
0350-20-24	1.1/4	31.8	20	1.1/2-11	46	55
0350-24-24	1.1/2	38.1	24	1.1/2-11	46	55
0350-24-32	1.1/2	38.1	24	2-11	54	70
0350-32-24	2	50.8	32	1.1/2-11	50	65
0350-32-32	2	50.8	32	2-11	54	70

# 035G

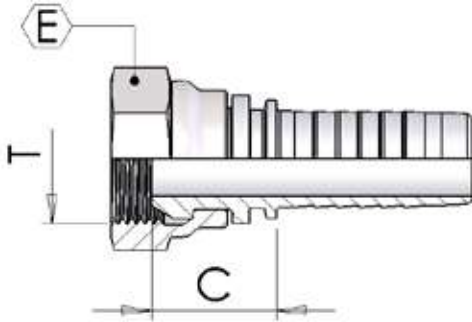
## BSP Male Parallel 60° Cone - Rotating



Part number	Hose I.D.		Dimensions			
			dash	Thread	Cut-Off	Hex
	in	mm	size	T	C	E
035G-04-04	1/4	6.4	04	1/4-19	37	19
035G-06-06	3/8	9.5	06	3/8-19	43	22
035G-08-08	1/2	12.7	08	1/2-14	47	27
035G-12-12	3/4	19	12	3/4-14	52	32

# 0051

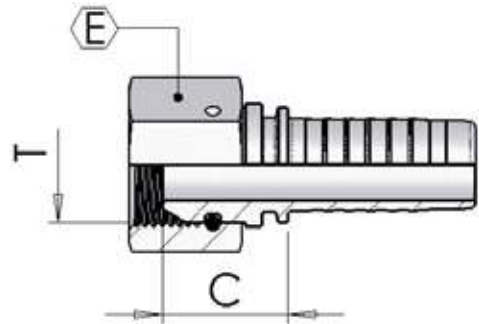
## BSP Female 60° Cone Rolled Nut



Part number	Hose I.D.	Dimensions		
		dash	Hex	Cut-Off
		size	E	C
0051-03-02	3/16	03	14	15
0051-03-04	3/16	03	19	17
0051-04-02	1/4	04	14	15
0051-04-04	1/4	04	19	17
0051-04-06	1/4	04	22	19
0051-04-08	1/4	04	27	22
0051-05-04	5/16	05	19	17
0051-05-06	5/16	05	22	19
0051-05-08	5/16	05	27	22
0051-06-04	3/8	06	19	17
0051-06-06	3/8	06	22	19
0051-06-08	3/8	06	27	22
0051-08-06	1/2	08	22	20
0051-08-08	1/2	08	27	23
0051-08-10	1/2	08	30	20
0051-08-12	1/2	08	32	27
0051-10-08	5/8	10	27	23
0051-10-10	5/8	10	30	20
0051-10-12	5/8	10	32	25
0051-12-08	3/4	12	27	24
0051-12-12	3/4	12	32	25
0051-12-16	3/4	12	38	26
0051-16-12	1	16	32	27
0051-16-16	1	16	38	27

# 0050

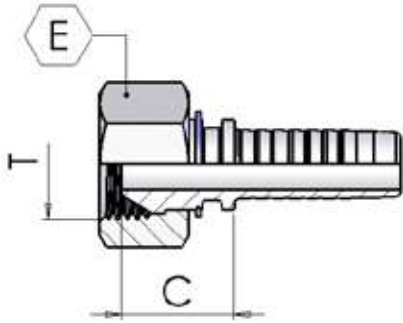
## BSP Female 60° cone Thrust Wire



Part number	Hose I.D.	Dimensions		
		dash	Hex	Cut-Off
	in	size	E	C
0050-03-02	3/16	03	14	15
0050-03-04	3/16	03	19	17
0050-04-02	1/4	04	14	15
0050-04-04	1/4	04	19	17
0050-04-06	1/4	04	22	19
0050-04-08	1/4	04	27	22
0050-05-04	5/16	05	19	17
0050-05-06	5/16	05	22	19
0050-05-08	5/16	05	27	22
0050-06-04	3/8	06	19	17
0050-06-06	3/8	06	22	19
0050-06-08	3/8	06	27	22
0050-08-06	1/2	08	22	20
0050-08-08	1/2	08	27	23
0050-08-10	1/2	08	30	20
0050-08-12	1/2	08	32	27
0050-10-08	5/8	10	27	23
0050-10-10	5/8	10	30	20
0050-10-12	5/8	10	32	25
0050-12-08	3/4	12	27	24
0050-12-12	3/4	12	32	25
0050-12-16	3/4	12	38	26
0050-16-12	1	16	32	27
0050-16-16	1	16	38	27
0050-16-20	1	16	50	30
0050-20-20	1.1/4	20	50	32
0050-20-24	1.1/4	20	55	34
0050-24-24	1.1/2	24	55	34
0050-24-32	1.1/2	24	70	34
0050-32-32	2	32	70	31
0050-40-40	2.1/2	40	85	41
0050-48-48	3	48	100	45

# 0052

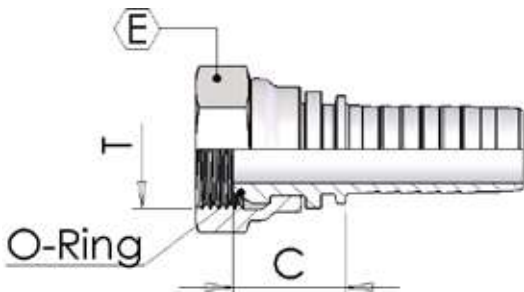
## BSP Female 60° Cone Slip On Nut



Part number	Hose I.D.	Dimensions		
		dash size	Hex E	Cut-Off C
0052-04-04	1/4	04	17	17
0052-06-06	3/8	06	19	17
0052-08-08	1/2	08	27	21

# 0041

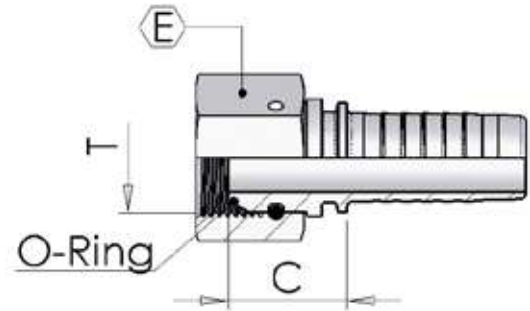
## BSP O'Ring Female 60° Cone-Rolled Nut



Part number	Hose I.D.	Dimensions		
		dash size	Hex E	Cut-Off C
0041-04-04	1/4	04	19	17
0041-06-06	3/8	06	22	19
0041-08-08	1/2	08	27	21
0041-10-10	5/8	10	30	21
0041-12-12	3/4	12	32	26
0041-16-16	1	16	38	28

# 0040

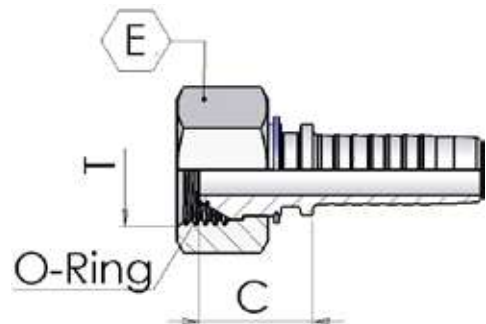
## BSP O'Ring Female 60° Cone-Thrust wire Nut



Part number	Hose I.D.	Dimensions		
		dash size	Hex E	Cut-Off C
0040-10-10	5/8	10	30	21
0040-12-12	3/4	12	32	26
0040-16-16	1	16	38	28

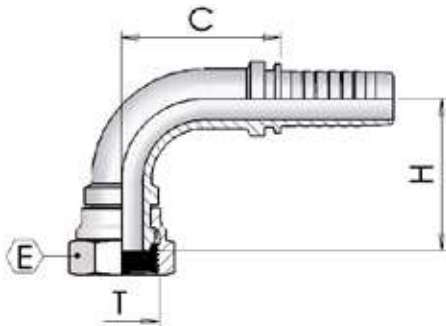
# 0042

## BSP O'Ring Female 60° Cone - Slip on nut



Part number	Hose I.D.	Dimensions		
		dash size	Hex E	Cut-Off C
0042-04-04	1/4	04	17	17
0042-06-06	3/8	06	19	17
0042-08-08	1/2	08	27	20

# 0151



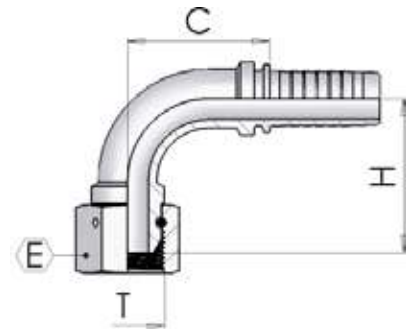
## BSP 90° Swept elbow 60° cone Rolled Nut

Part number	Hose I.D.	Dimensions				
		dash	Thread		Hex	Drop
	in	size	T	C	E	H
0151-03-02	3/16	03	1/8-28	22	14	23
0151-03-04	3/16	03	1/4-19	22	19	25
0151-04-02	1/4	04	1/8-28	25	14	25
0151-04-04	1/4	04	1/4-19	25	19	27
0151-04-06	1/4	04	3/8-19	25	22	31
0151-05-04	5/16	05	1/4-19	31	19	31
0151-05-06	5/16	05	3/8-19	29	22	36
0151-06-04	3/8	06	1/4-19	31	19	33
0151-06-06	3/8	06	3/8-19	33	22	35
0151-06-08	3/8	06	1/2-14	31	27	40
0151-08-06	1/2	08	3/8-19	39	22	42
0151-08-08	1/2	08	1/2-14	39	27	41
0151-08-10	1/2	08	5/8-14	40	30	41
0151-08-12	1/2	08	3/4-14	41	32	46
0151-10-10	5/8	10	5/8-14	43	30	43
0151-10-12	5/8	10	3/4-14	45	32	50
0151-12-12	3/4	12	3/4-14	56	32	57
0151-12-16	3/4	12	1-11	56	38	60
0151-16-16	1	16	1-11	70	38	67



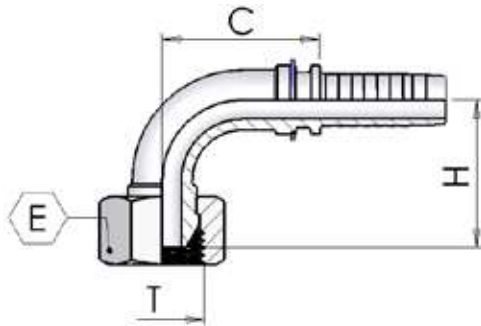
# 0150

## BSP 90° Swept Elbow 60° cone Thrust Wire



Part number	Hose I.D.		Dimensions				
			dash	Thread	Cut-Off	Hex	Drop
	in	mm	size	T	C	E	H
0150-03-02	3/16	4.8	03	1/8-28	22	14	23
0150-03-04	3/16	4.8	03	1/4-19	22	19	25
0150-04-02	1/4	6.4	04	1/8-28	25	14	25
0150-04-04	1/4	6.4	04	1/4-19	25	19	27
0150-04-06	1/4	6.4	04	3/8-19	25	22	31
0150-05-04	5/16	7.9	05	1/4-19	31	19	31
0150-05-06	5/16	7.9	05	3/8-19	29	22	36
0150-06-04	3/8	9.5	06	1/4-19	31	19	33
0150-06-06	3/8	9.5	06	3/8-19	33	22	35
0150-06-08	3/8	9.5	06	1/2-14	31	27	40
0150-08-06	1/2	12.7	08	3/8-19	39	22	42
0150-08-08	1/2	12.7	08	1/2-14	39	27	41
0150-08-10	1/2	12.7	08	5/8-14	40	30	41
0150-08-12	1/2	12.7	08	3/4-14	41	32	46
0150-10-10	5/8	15.9	10	5/8-14	44	30	43
0150-10-12	5/8	15.9	10	3/4-14	45	32	50
0150-12-12	3/4	19	12	3/4-14	56	32	57
0150-12-16	3/4	19	12	1-11	56	38	60
0150S16-12	1	25.4	16	3/4-14	57	32	68
0150-16-16	1	25.4	16	1-11	70	38	67
0150S16-20	1	25.4	16	1.1/4-11	62	50	72
0150-20-20	1.1/4	31.8	20	1.1/4-11	86	50	81
0150S20-24	1.1/4	31.8	20	1.1/2-11	81	55	89
0150-24-24	1.1/2	38.1	24	1.1/2-11	103	55	95
0150S24-32	1.1/2	38.1	24	2-11	102	70	113
0150-32-32	2	50.8	32	2-11	122	70	135

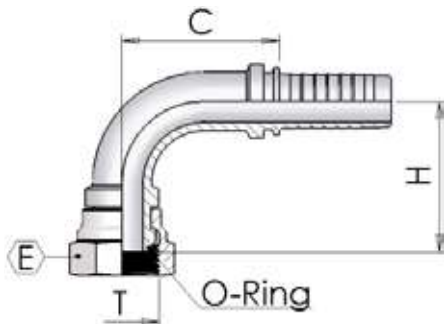
# 0152



## BSP 90° Swept elbow 60° cone Slip On Nut

Part number	Hose I.D.	Dimensions				
		dash size	Thread T	C	Hex E	Drop H
0152-04-04	1/4	04	1/4-19	27	17	26
0152-06-06	3/8	06	3/8-19	34	19	30
0152-08-08	1/2	08	1/2-14	42	27	38

# 0141

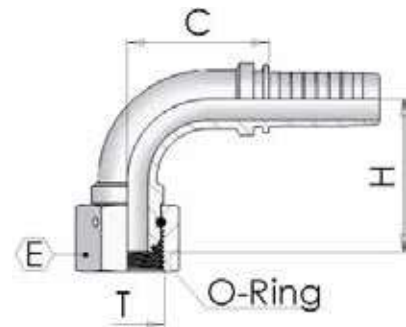


## BSP O'Ring 90° Swept elbow 60° cone- Rolled Nut

Part number	Hose I.D.	Dimensions				
		dash size	Thread T	C	Hex E	Drop H
0141-04-04	1/4	04	1/4-19	25	19	27
0141-06-06	3/8	06	3/8-19	33	22	34
0141-08-08	1/2	08	1/2-14	41	27	40
0141-10-10	5/8	10	5/8-14	43	30	55
0141-12-12	3/4	12	3/4-14	56	32	54
0141-16-16	1	16	1-11	70	38	67

# 0140

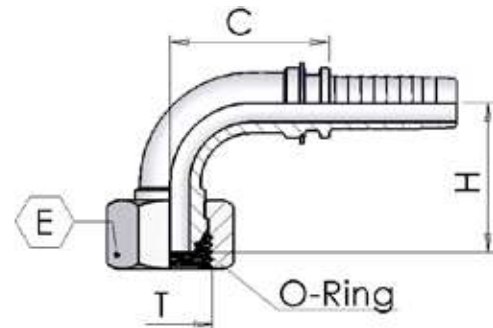
## BSP O'Ring 90° Swept elbow 60° cone- Thrust Wire Nut



Part number	Hose I.D.	Dimensions				
		dash size	Thread T	C	Hex E	Drop H
0140-10-10	5/8	10	5/8-14	44	30	43
0140-12-12	3/4	12	3/4-14	56	32	54
0140-16-16	1	16	1-11	70	38	67

# 0142

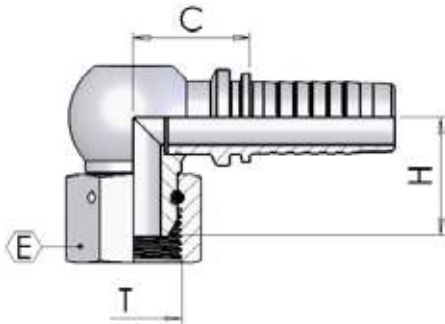
## BSP O'Ring 90° Swept elbow 60° cone- Slip on nut



Part number	Hose I.D.	Dimensions				
		dash size	Thread T	C	Hex E	Drop H
0142-04-04	1/4	04	1/4-19	27	17	24
0142-06-06	3/8	06	3/8-19	34	19	28
0142-08-08	1/2	08	1/2-14	42	27	37

## 2300

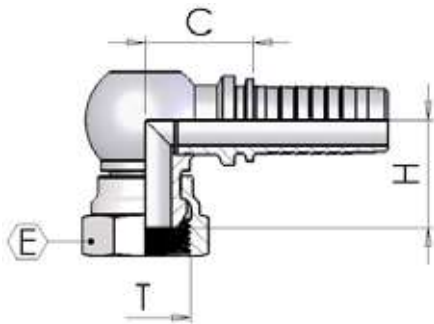
### BSP 90° Compact Elbow 60° Cone - Thrust wire - Welded



Part number	Hose I.D.	Dimensions				
		dash size	Thread T	C	Hex E	Drop H
2300-03-02	3/16	03	1/8-28	17	14	16
2300-10-10	5/8	10	5/8-14	28	30	27
2300-10-12	5/8	10	3/4-14	29	32	32
2300-20-20	1.1/4	20	1.1/4-11	47	50	46

## 2301

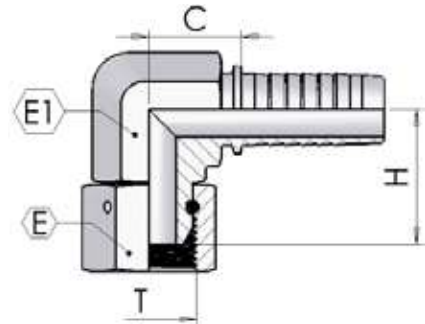
### BSP 90° Compact Elbow 60° Cone - Rolled nut - Welded



Part number	Hose I.D.	Dimensions				
		dash size	Thread T	C	Hex E	Drop H
2301-03-02	3/16	03	1/8-28	17	14	16
2301-10-10	5/8	10	5/8-14	28	30	27
2301-10-12	5/8	10	3/4-14	29	32	32

# 2320

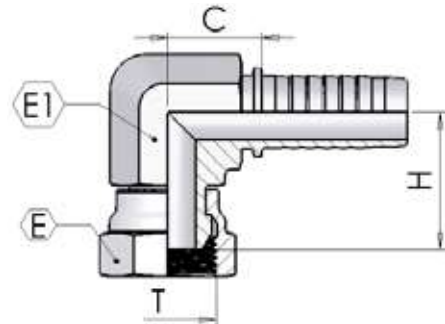
## BSP 90° Compact Elbow 60° Cone - Thrust wire



Part number	Hose I.D.	Dimensions					
		dash	Thread		Hex		Drop
	in	size	T	C	E	E1	H
2320-04-04	1/4	04	1/4-19	19	19	15	20
2320-04-06	1/4	04	3/8-19	24	22	17	29
2320-05-06	5/16	05	3/8-19	24	22	17	23
2320-06-06	3/8	06	3/8-19	23	22	17	23
2320-06-08	3/8	06	1/2-14	28	27	19	26
2320-08-08	1/2	08	1/2-14	26	27	22	27
2320-12-12	3/4	12	3/4-14	32	32	27	32
2320-16-16	1	16	1-11	38	38	32	36

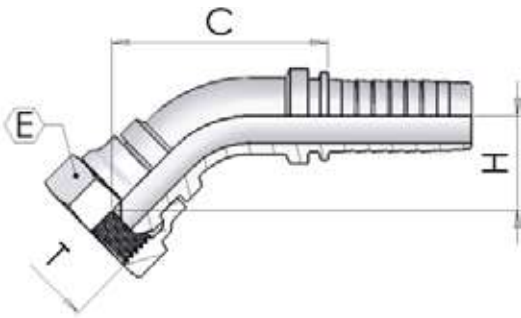
# 2321

## BSP 90° Compact Elbow 60° Cone - Rolled nut



Part number	Hose I.D.	Dimensions					
		dash	Thread		Hex		Drop
	in	size	T	C	E	E1	H
2321-04-04	1/4	04	1/4-19	19	19	15	20
2321-04-06	1/4	04	3/8-19	24	22	17	29
2321-05-06	5/16	05	3/8-19	24	22	17	23
2321-06-06	3/8	06	3/8-19	23	22	17	23
2321-06-08	3/8	06	1/2-14	28	27	19	26
2321-08-08	1/2	08	1/2-14	26	27	22	27
2321-12-12	3/4	12	3/4-14	32	32	27	32
2321-16-16	1	16	1-11	38	38	32	36

# 0251

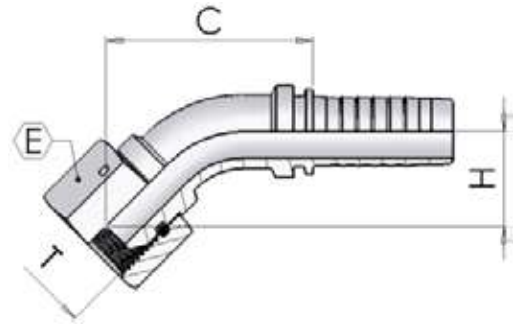


## BSP 45° Swept Elbow 60° Cone - Rolled nut

Part number	Hose I.D.	Dimensions				
		dash	Thread		Hex	Drop
	in	size	T	C	E	H
0251-03-02	3/16	03	1/8-28	33	14	15
0251-03-04	3/16	03	1/4-19	35	19	15
0251-04-02	1/4	04	1/8-28	40	14	14
0251-04-04	1/4	04	1/4-19	41	19	15
0251-05-04	5/16	05	1/4-19	47	19	16
0251-05-06	5/16	05	3/8-19	51	22	19
0251-06-04	3/8	06	1/4-19	50	19	16
0251-06-06	3/8	06	3/8-19	52	22	19
0251-06-08	3/8	06	1/2-14	55	27	21
0251-08-06	1/2	08	3/8-19	63	22	22
0251-08-08	1/2	08	1/2-12	65	27	24
0251-08-10	1/2	08	5/8-14	64	30	21
0251-08-12	1/2	08	3/4-14	67	32	26
0251-10-08	5/8	10	1/2-14	68	27	24
0251-10-10	5/8	10	5/8-14	68	30	23
0251-10-12	5/8	10	3/4-14	72	32	27
0251-12-12	3/4	12	3/4-14	86	32	30
0251-12-16	3/4	12	1-11	88	38	32
0251-16-16	1	16	1-11	107	38	35

# 0250

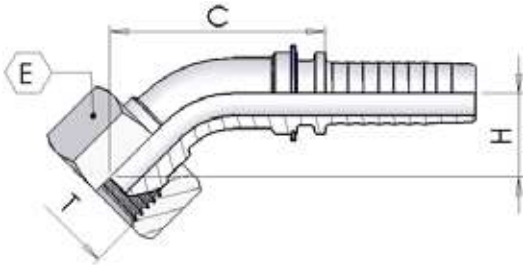
## BSP 45° Swept Elbow 60° Cone - Thrust Wire Nut



Part number	Hose I.D.	Dimensions				
		dash	Thread		Hex	Drop
	in	size	T	C	E	H
0250-03-02	3/16	03	1/8-28	33	14	15
0250-03-04	3/16	03	1/4-19	35	19	15
0250-04-02	1/4	04	1/8-28	40	14	14
0250-04-04	1/4	04	1/4-19	41	19	15
0250-04-06	1/4	04	3/8-19	44	22	18
0250-05-04	5/16	05	1/4-19	47	19	16
0250-05-06	5/16	05	3/8-19	51	22	19
0250-06-04	3/8	06	1/4-19	50	19	16
0250-06-06	3/8	06	3/8-19	52	22	19
0250-06-08	3/8	06	1/2-14	55	27	21
0250-08-06	1/2	08	3/8-19	63	22	22
0250-08-08	1/2	08	1/2-14	65	27	24
0250-10-10	5/8	10	5/8-14	68	30	23
0250-10-12	5/8	10	3/4-14	72	32	27
0250-12-12	3/4	12	3/4-14	86	32	30
0250-12-16	3/4	12	1-11	88	38	32
0250-16-16	1	16	1-11	107	38	35
0250S16-20	1	16	1.1/4-11	70	50	33
0250-20-20	1.1/4	20	1.1/4-11	107	50	40
0250S20-24	1.1/4	20	1.1/2-11	91	55	41
0250-24-24	1.1/2	24	1.1/2-11	117	55	47
0250-32-32	2	32	2-11	142	70	65

# 0252

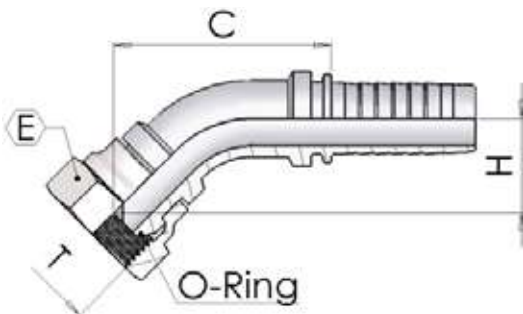
## BSP 45° Swept Elbow 60° Cone - Slipe on nut



Part number	Hose I.D.	Dimensions				
		dash	Thread		Hex	Drop
	in	size	T	C	E	H
0252-04-04	1/4	04	1/4-19	41	17	15
0252-06-06	3/8	06	3/8-19	49	19	15
0252-08-08	1/2	08	1/2-14	61	27	19

# 0241

## BSP O'Ring 45° Swept Elbow 60° Cone - Rolled nut

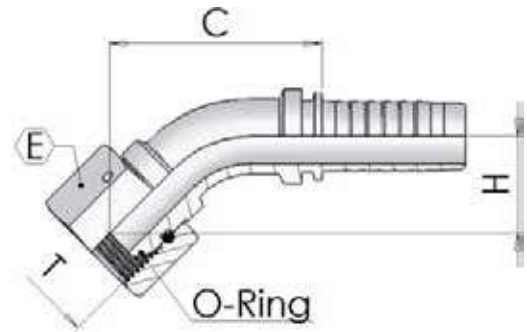


Part number	Hose I.D.	Dimensions				
		dash	Thread		Hex	Drop
	in	size	T	C	E	H
0241-04-04	1/4	04	1/4-19	41	19	15
0241-06-06	3/8	06	3/8-19	52	22	21
0241-08-08	1/2	08	1/2-14	63	27	22
0241-10-10	5/8	10	5/8-14	68	30	23
0241-12-12	3/4	12	3/4-14	88	32	28
0241-16-16	1	16	1-11	83	38	32



# 0240

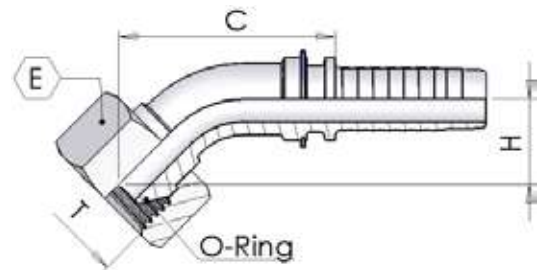
## BSP O'Ring 45° Swept Elbow 60° Cone - Thrust Wire Nut



Part number	Hose I.D.	Dimensions				
		dash size	Thread T	C	Hex E	Drop H
0240-10-10	5/8	10	5/8-14	68	30	23
0240-12-12	3/4	12	3/4-14	88	32	28
0240-16-16	1	16	1-11	83	38	32

# 0242

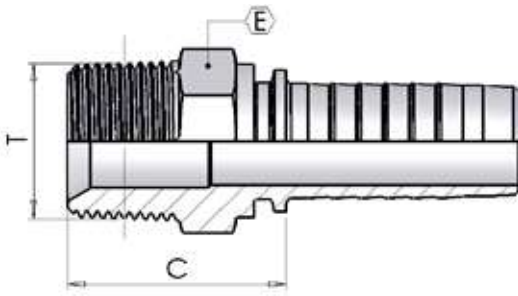
## BSP O'Ring 45° Swept Elbow 60° Cone - Slip on nut



Part number	Hose I.D.	Dimensions				
		dash size	Thread T	C	Hex E	Drop H
0242-04-04	1/4	04	1/4-19	41	17	15
0242-06-06	3/8	06	3/8-19	49	19	15
0242-08-08	1/2	08	1/2-14	61	27	19

# 0360

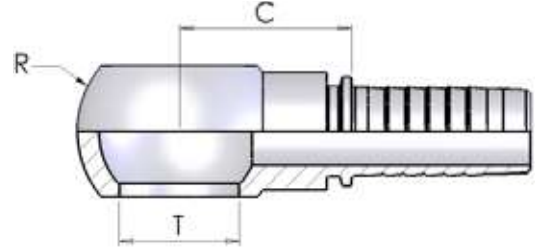
## BSP Taper Male 60° cone



Part number	Hose I.D.		Dimensions			
			dash	Thread	Cut-Off	Hex
			size	T	C	E
0360-03-02	3/16	4.8	03	1/8-28	21	12
0360-03-04	3/16	4.8	03	1/4-19	27	15
0360-04-02	1/4	6.4	04	1/8-28	22	12
0360-04-04	1/4	6.4	04	1/4-19	28	15
0360-04-06	1/4	6.4	04	3/8-19	28	19
0360-05-04	5/16	7.9	05	1/4-19	28	15
0360-05-06	5/16	7.9	05	3/8-19	28	19
0360-06-04	3/8	9.5	06	1/4-19	28	17
0360-06-06	3/8	9.5	06	3/8-19	28	19
0360-06-08	3/8	9.5	06	1/2-14	33	22
0360-08-06	1/2	12.7	08	3/8-19	29	19
0360-08-08	1/2	12.7	08	1/2-14	34	22
0360-08-12	1/2	12.7	08	3/4-14	36	27
0360-10-08	5/8	15.9	10	1/2-14	34	22
0360-10-10	5/8	15.9	10	5/8-14	35	24
0360-10-12	5/8	15.9	10	3/4-14	36	27
0360-12-12	3/4	19	12	3/4-14	37	27
0360-12-16	3/4	19	12	1-11	43	36
0360-16-16	1	25.4	16	1-11	44	36
0360-16-20	1	25.4	16	1.1/4-11	46	46
0360-20-20	1.1/4	31.8	20	1.1/4-11	47	46
0360-20-24	1.1/4	31.8	20	1.1/2-11	49	50
0360-24-24	1.1/2	38.1	24	1.1/2-11	49	50
0360-24-32	1.1/2	38.1	24	2-11	55	65
0360-32-32	2	50.8	32	2-11	55	65

# 1400

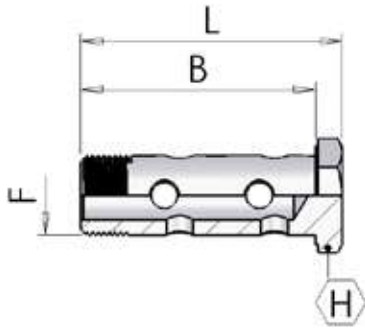
## BSP Banjo



Part number	Hose I.D.		Dimensions			
			dash		Cut-Off	
	in	mm	size	mm	C	R
1400-03-02	3/16	4.8	03	10.2	19	17
1400-03-04	3/16	4.8	03	13.3	26	24
1400-04-02	1/4	6.4	04	10.2	25	17
1400-04-04	1/4	6.4	04	13.3	26	24
1400-04-06	1/4	6.4	04	17	26	28
1400-05-04	5/16	7.9	05	13.3	26	24
1400-05-06	5/16	7.9	05	17	26	28
1400-06-04	3/8	9.5	06	13.3	26	24
1400-06-06	3/8	9.5	06	17	26	28
1400-06-08	3/8	9.5	06	21.2	31	36
1400-08-06	1/2	12.7	08	17	27	28
1400-08-08	1/2	12.7	08	21.2	31	36
1400-08-10	1/2	12.7	08	23.1	29	38
1400-08-12	1/2	12.7	08	26.5	38	45
1400-10-10	5/8	15.9	10	23.1	29	39
1400-10-12	5/8	15.9	10	26.5	38	45
1400-12-12	3/4	19	12	26.5	38	45
1400-12-16	3/4	19	12	33.5	49	58
1400-16-16	1	25.4	16	33.5	50	58

# 1600

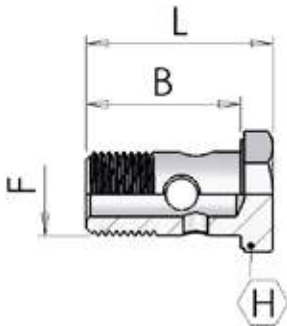
## Double BSP perfored bolt



Part number	Dimensions			Drop
	B	F	L	
1600-04-04	43	1/4-19	49	19
1600-06-06	49	3/8-19	57	22
1600-08-08	62	1/2-14	70	27
1600-12-12	78	3/4-14	87	32
1600-16-16	98	1-11	109	41

# 1600-00

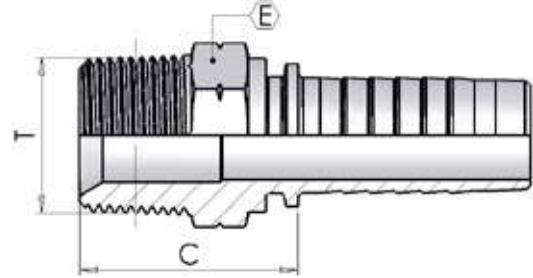
## BSP perfored bolt



Part number	Dimensions			Drop
	B	F	L	
1600-00-02	19	1/8-28	24	14
1600-00-04	29	1/4-19	34	19
1600-00-06	33	3/8-19	41	22
1600-00-08	38	1/2-14	46	27
1600-00-10	44	5/8-14	54	30
1600-00-12	47	3/4-14	56	32
1600-00-16	58	1-11	69	41

# 0370

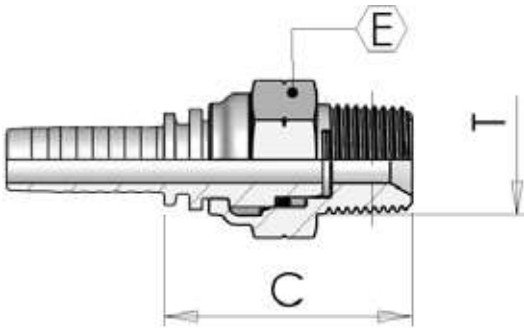
## NPTF Male 60° cone



Part number	Hose I.D.		Dimensions			
			dash	Thread	Cut-Off	Hex
	in	mm	size	T	C	E
0370-03-02	3/16	4.8	03	1/8-27	22	12
0370-03-04	3/16	4.8	03	1/4-18	27	15
0370-04-02	1/4	6.4	04	1/8-27	22	12
0370-04-04	1/4	6.4	04	1/4-18	28	15
0370-04-06	1/4	6.4	04	3/8-18	28	19
0370-05-04	5/16	7.9	05	1/4-18	28	15
0370-05-06	5/16	7.9	05	3/8-18	28	19
0370-05-08	5/16	7.9	05	1/2-14	34	22
0370-06-04	3/8	9.5	06	1/4-18	28	17
0370-06-06	3/8	9.5	06	3/8-18	28	19
0370-06-08	3/8	9.5	06	1/2-14	34	22
0370-08-06	1/2	12.7	08	3/8-18	29	19
0370-08-08	1/2	12.7	08	1/2-14	35	22
0370-08-12	1/2	12.7	08	3/4-14	36	27
0370-10-08	5/8	15.9	10	1/2-14	35	24
0370-10-12	5/8	15.9	10	3/4-14	36	27
0370-12-08	3/4	19	12	1/2-14	36	24
0370-12-12	3/4	19	12	3/4-14	37	27
0370-12-16	3/4	19	12	1-11.1/2	43	36
0370-16-16	1	25.4	16	1-11.1/2	44	36
0370-16-20	1	25.4	16	1.1/4-11.1/2	46	46
0370-20-16	1.1/4	31.8	20	1-11.1/2	45	41
0370-20-20	1.1/4	31.8	20	1.1/4-11.1/2	47	46
0370-24-24	1.1/2	38.1	24	1.1/2-11.1/2	49	50
0370-32-32	2	50.8	32	2-11.1/2	55	65
0370-40-40	2.1/2	63.5	40	2.1/2-8	55	80
0370-48-48	3	76.2	48	3-8	58	90

# 037G

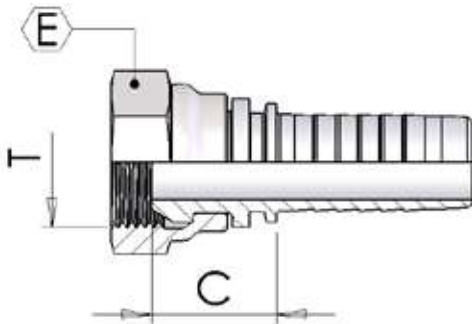
## NPTF Male Parallel 60° Cone - Rotating



Part number	Hose I.D.		Dimensions			
			dash size	Thread T	Cut-Off C	Hex E
037G-04-04	1/4	6.4	04	1/4-18	39	19
037G-06-06	3/8	9.5	06	3/8-18	43	22
037G-08-08	1/2	12.7	08	1/2-14	49	27
037G-12-12	3/4	19	12	3/4-14	52	32

# N051

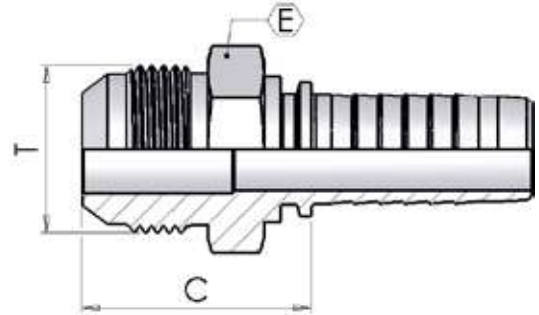
## NPSM Female 60° Cone Rolled Nut



Part number	Hose I.D.		Dimensions			
			dash size	Thread T	Cut-Off C	Hex E
N051-03-04	3/16	4.8	03	1/4-18	17	19
N051-04-04	1/4	6.4	04	1/4-18	17	19
N051-06-06	3/8	9.5	06	3/8-18	19	22
N051-08-08	1/2	12.7	08	1/2-14	23	27

# 0850

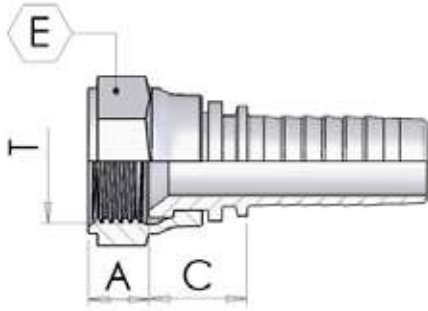
## JIC Male 74° cone



Part number	Hose I.D.		Dimensions			
			dash	Thread	Cut-Off	Hex
	in	mm	size	T	C	E
0850-03-04	3/16	4.8	03	7/16-20	26	12
0850-04-04	1/4	6.4	04	7/16-20	27	12
0850-04-05	1/4	6.4	04	1/2-20	27	14
0850-04-06	1/4	6.4	04	9/16-18	27	15
0850-05-05	5/16	7.9	05	1/2-20	27	14
0850-05-06	5/16	7.9	05	9/16-18	27	15
0850-05-08	5/16	7.9	05	3/4-16	30	19
0850-06-06	3/8	9.5	06	9/16-18	27	15
0850-06-07	3/8	9.5	06	5/8-18	30	17
0850-06-08	3/8	9.5	06	3/4-16	30	19
0850-06-10	3/8	9.5	06	7/8-14	34	24
0850-08-06	1/2	12.7	08	9/16-18	28	19
0850-08-08	1/2	12.7	08	3/4-16	31	19
0850-08-10	1/2	12.7	08	7/8-14	35	24
0850-08-12	1/2	12.7	08	1.1/16-12	37	27
0850-10-10	5/8	15.9	10	7/8-14	35	24
0850-10-12	5/8	15.9	10	1.1/16-12	37	27
0850-12-10	3/4	19	12	7/8-14	36	24
0850-12-12	3/4	19	12	1.1/16-12	38	27
0850-12-14	3/4	19	12	1.3/16-12	41	32
0850-12-16	3/4	19	12	1.5/16-12	42	34
0850-12-20	3/4	19	12	1.5/8-12	45	42
0850-16-12	1	25.4	16	1.1/16-12	39	27
0850-16-14	1	25.4	16	1.3/16-12	42	32
0850-16-16	1	25.4	16	1.5/16-12	43	34
0850-16-20	1	25.4	16	1.5/8-12	46	42
0850-20-20	1.1/4	31.8	20	1.5/8-12	47	42
0850-20-24	1.1/4	31.8	20	1.7/8-12	52	50
0850-24-24	1.1/2	38.1	24	1.7/8-12	52	50
0850-32-32	2	50.8	32	2.1/2-12	62	65

# 0901

## JIC Female 74° cone - Rolled Nut

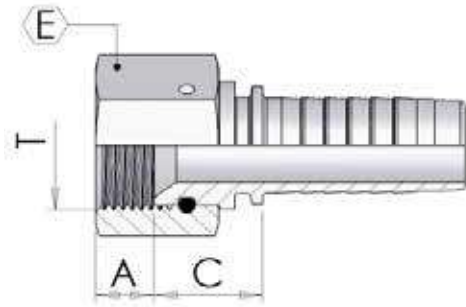


Part number	Hose I.D.		Dimensions				
			dash	Thread	Cut-Off		Hex
	in	mm	size	T	C	A	E
0901-03-04	3/16	4.8	03	7/16-20	14	8.5	15
0901-03-05	3/16	4.8	03	1/2-20	14	9.5	17
0901-04-04	1/4	6.4	04	7/16-20	14	8.5	15
0901-04-05	1/4	6.4	04	1/2-20	15	9.5	17
0901-04-06	1/4	6.4	04	9/16-18	16	9	19
0901-04-07	1/4	6.4	04	5/8-18	17	11	22
0901-05-05	5/16	7.9	05	1/2-20	17	9.5	17
0901-05-06	5/16	7.9	05	9/16-18	16	9	19
0901-05-07	5/16	7.9	05	5/8-18	17	11	22
0901-05-08	5/16	7.9	05	3/4-16	17	10.5	24
0901-06-04	3/8	9.5	06	7/16-20	15	9	15
0901-06-05	3/8	9.5	06	1/2-20	15	9.5	17
0901-06-06	3/8	9.5	06	9/16-18	16	9	19
0901-06-07	3/8	9.5	06	5/8-18	16	11	22
0901-06-08	3/8	9.5	06	3/4-16	17	10.5	24
0901-06-10	3/8	9.5	06	7/8-14	21	13	27
0901-08-08	1/2	12.7	08	3/4-16	18	10.5	24
0901-08-10	1/2	12.7	08	7/8-14	19	13	27
0901-08-12	1/2	12.7	08	1.1/16-12	24	13.5	32
0901-10-10	5/8	15.9	10	7/8-14	19	13	27
0901-10-12	5/8	15.9	10	1.1/16-12	21	13.5	32
0901-12-10	3/4	19	12	7/8-14	20	13	27
0901-12-12	3/4	19	12	1.1/16-12	22	13.5	32
0901-12-14	3/4	19	12	1.3/16-12	23	14	36
0901-12-16	3/4	19	12	1.5/16-12	23	15.5	38
0901-16-12	1	25.4	16	1.1/16-12	23	13.5	32
0901-16-16	1	25.4	16	1.5/16-12	24	15.5	38



# 0900

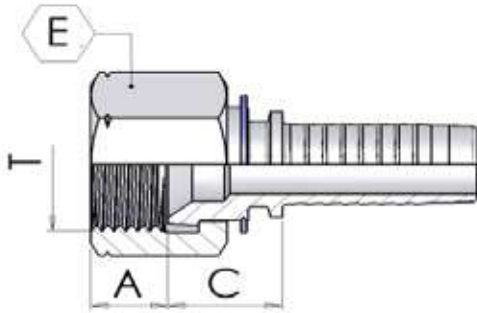
## JIC Female 74° Thrust Wire Nut



Part number	Hose I.D.		Dimensions				
			dash	Thread	Cut-Off		Hex
	in	mm	size	T	C	A	E
0900-03-04	3/16	4.8	03	7/16-20	14	8.5	17
0900-04-04	1/4	6.4	04	7/16-20	14	8.5	17
0900-04-05	1/4	6.4	04	1/2-20	15	9.5	17
0900-04-06	1/4	6.4	04	9/16-18	16	9	19
0900-05-05	5/16	7.9	05	1/2-20	17	11	17
0900-05-06	5/16	7.9	05	9/16-18	16	9	19
0900-06-05	3/8	9.5	06	1/2-20	15	9.5	17
0900-06-06	3/8	9.5	06	9/16-18	16	9	19
0900-06-07	3/8	9.5	06	5/8-18	16	11	22
0900-06-08	3/8	9.5	06	3/4-16	17	10.5	24
0900-06-10	3/8	9.5	06	7/8-14	21	13	27
0900-08-08	1/2	12.7	08	3/4-16	18	10.5	24
0900-08-10	1/2	12.7	08	7/8-14	19	13	27
0900-08-12	1/2	12.7	08	1.1/16-12	21	13.5	32
0900-10-10	5/8	15.9	10	7/8-14	19	13	27
0900-10-12	5/8	15.9	10	1.1/16-12	21	13.5	32
0900-12-10	3/4	19	12	7/8-14	20	13	27
0900-12-12	3/4	19	12	1.1/16-12	22	13.5	32
0900-12-14	3/4	19	12	1.3/16-12	23	14	36
0900-12-16	3/4	19	12	1.5/16-12	23	15.5	41
0900-16-12	1	25.4	16	1.1/16-12	23	13.5	32
0900-16-14	1	25.4	16	1.3/16-12	24	14	36
0900-16-16	1	25.4	16	1.5/16-12	24	15.5	41
0900-16-20	1	25.4	16	1.5/8-12	27	16.5	50
0900-20-20	1.1/4	31.8	20	1.5/8-12	28	16.5	50
0900-20-24	1.1/4	31.8	20	1.7/8-12	31	19	55
0900-24-24	1.1/2	38.1	24	1.7/8-12	31	19	55
0900-32-32	2	50.8	32	2.1/2-12	31	20	70

# 0902

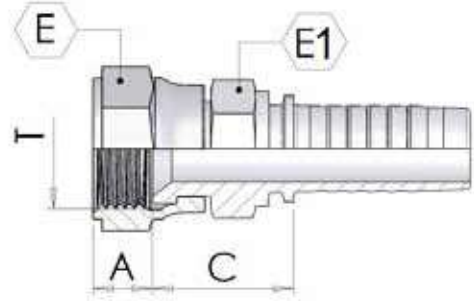
## JIC Female 74° - Slip on nut



Part number	Hose I.D.		Dimensions				
			dash	Thread	Cut-Off		Hex
	in	mm	size	T	C	A	E
0902-04-05	1/4	6.4	04	1/2-20	17	9.5	17
0902-04-06	1/4	6.4	04	9/16-18	17	9	19
0902-05-06	5/16	7.9	05	9/16-18	16	9	19
0902-06-08	3/8	9.5	06	3/4-16	18	10.5	22
0902-08-10	1/2	12.7	08	7/8-14	20	13	27
0902-10-12	5/8	15.9	10	1.1/16-12	20	13.5	32
0902-12-16	3/4	19	12	1.5/16-12	21	15.5	38

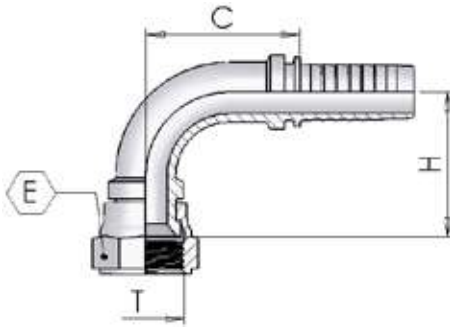
# 0901D

## JIC Female 74° cone - Double hexagon



Part number	Hose I.D.	Dimensions					
		dash size	Thread T	A	C	Hex E	E1
0901D04-04	1/4	04	7/16-20	8.5	20	15	12
0901D04-05	1/4	04	1/2-20	9.5	20	17	14
0901D04-06	1/4	04	9/16-18	9	22	19	14
0901D05-06	5/16	05	9/16-18	9	22	19	15
0901D06-06	3/8	06	9/16-18	9	24	19	17
0901D06-08	3/8	06	3/4-16	10.5	26	24	19
0901D08-08	1/2	08	3/4-16	10.5	26	24	22
0901D08-10	1/2	08	7/8-14	13	27	27	22
0901D10-10	5/8	10	7/8-14	13	26	27	22
0901D10-12	5/8	10	1.1/16-12	13.5	27	32	27
0901D12-12	3/4	12	1.1/16-12	13.5	32	32	27
0901D16-16	1	16	1.5/16-12	15.5	33	38	36

# 0951

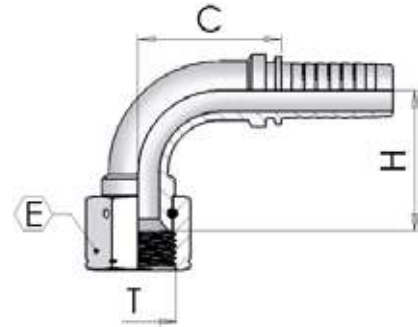


## JIC 90° Swept Elbow 74° cone - Rolled Nut

Part number	Hose I.D.	Dimensions				
		dash size	Thread T	C	Hex E	Drop H
0951-03-04	3/16	03	7/16-20	22	15	22
0951-03-05	3/16	03	1/2-20	22	17	22
0951-04-04	1/4	04	7/16-20	25	15	24
0951-04-05	1/4	04	1/2-20	25	17	25
0951-04-06	1/4	04	9/16-18	25	19	27
0951-05-05	5/16	05	1/2-20	29	17	30
0951-05-06	5/16	05	9/16-18	29	19	31
0951-06-05	3/8	06	1/2-20	33	17	30
0951-06-06	3/8	06	9/16-18	31	19	32
0951-06-07	3/8	06	5/8-18	33	22	32
0951-06-08	3/8	06	3/4-16	33	24	34
0951-06-10	3/8	06	7/8-14	33	27	36
0951-08-08	1/2	08	3/4-16	41	24	41
0951-08-10	1/2	08	7/8-14	41	27	40
0951-08-12	1/2	08	1.1/16-12	39	32	43
0951-10-10	5/8	10	7/8-14	43	27	44
0951-10-12	5/8	10	1.1/16-12	45	32	47
0951-12-10	3/4	12	7/8-14	56	27	53
0951-12-12	3/4	12	1.1/16-12	56	32	54
0951-12-14	3/4	12	1.3/16-12	57	36	53
0951-12-16	3/4	12	1.5/16-12	55	38	56
0951-16-12	1	16	1.1/16-12	70	32	63
0951-16-16	1	16	1.5/16-12	70	38	65

# 0950

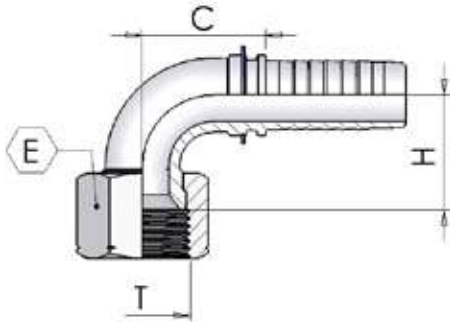
## JIC 90° Swept Elbow 74° cone - Thrust Wire Nut



Part number	Hose I.D.	Dimensions				
		dash	Thread		Hex	Drop
	in	size	T	C	E	H
0950-03-04	3/16	03	7/16-20	22	17	22
0950-04-04	1/4	04	7/16-20	25	17	24
0950-04-05	1/4	04	1/2-20	25	17	25
0950-04-06	1/4	04	9/16-18	25	19	27
0950-05-06	5/8	05	9/16-18	29	19	31
0950-05-08	5/8	05	3/4-16	29	24	41
0950-06-05	3/8	06	1/2-20	33	17	30
0950-06-06	3/8	06	9/16-18	31	19	32
0950-06-10	3/8	06	7/8-14	33	27	36
0950-08-08	1/2	08	3/4-16	41	24	41
0950-08-10	1/2	08	7/8-14	41	27	40
0950-08-12	1/2	08	1.1/16-12	39	32	43
0950-10-10	5/8	10	7/8-14	43	27	44
0950-10-12	5/8	10	1.1/16-12	45	32	47
0950-12-10	3/4	12	7/8-14	56	27	53
0950-12-12	3/4	12	1.1/16-12	56	32	54
0950-12-14	3/4	12	1.3/16-12	57	36	53
0950-12-16	3/4	12	1.5/16-12	55	41	56
0950-16-12	1	16	1.1/16-12	70	32	63
0950S16-14	1	16	1.3/16-12	62	36	69
0950-16-16	1	16	1.5/16-12	70	41	65
0950S16-20	1	16	1.5/8-12	62	50	69
0950-20-20	1.1/4	20	1.5/8-12	87	50	83
0950S20-24	1.1/4	24	1.7/8-12	81	55	88
0950-24-24	1.1/2	24	1.7/8-12	102	55	97
0950-32-32	2	32	2.1/2-12	124	70	134

# 0952

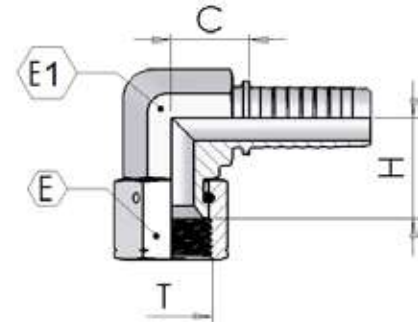
## JIC 90° Swept Elbow 74° cone - Slip on nut



Part number	Hose I.D.	Dimensions				
		dash size	Thread T	C	Hex E	Drop H
0952-04-05	1/4	04	1/2-20	27	17	21
0952-04-06	1/4	04	9/16-18	26	19	21
0952-05-06	5/8	05	9/16-18	25	19	32
0952-06-08	3/8	06	3/4-16	35	22	26
0952-08-10	1/2	08	7/8-14	40	27	32
0952-10-12	5/8	10	1.1/16-12	47	32	37
0952-12-12	3/4	12	1.1/16-12	58	32	45
0952-12-16	3/4	12	1.5/16-12	56	38	57

# 2970

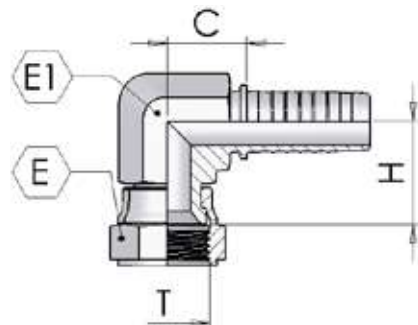
## JIC 90° Compact Elbow 74° cone - Thrust Wire Nut



Part number	Hose I.D.	Dimensions					
		dash size	Thread T	C	Hex E	Hex E1	Drop H
2970-04-04	1/4	04	7/16-20	19	17	15	17
2970-04-05	1/4	04	1/2-20	19	17	15	18
2970-04-06	1/4	04	9/16-18	19	19	15	19
2970-05-06	5/16	05	9/16-18	20	19	17	20
2970-06-06	3/8	06	9/16-18	23	19	17	20
2970-06-07	3/8	06	5/8-18	23	22	17	21
2970-06-08	3/8	06	3/4-16	24	24	22	22
2970-08-08	1/2	08	3/4-16	26	24	22	23
2970-08-10	1/2	08	7/8-14	26	27	22	24
2970-12-12	3/4	12	1.1/16-12	32	32	27	29
2970-16-16	1	16	1.5/16-12	38	41	32	34

# 2971

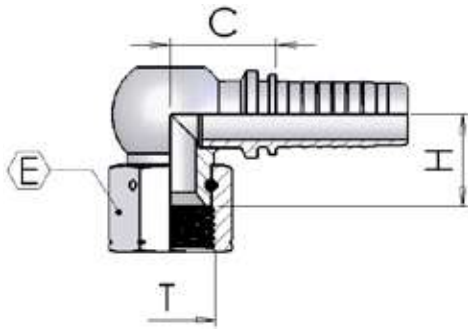
## JIC 90° Compact Elbow 74° cone - Crimped Nut



Part number	Hose I.D.	Dimensions					
		dash size	Thread T	C	Hex E	Hex E1	Drop H
2971-04-04	1/4	04	7/16-20	19	15	15	17
2971-04-05	1/4	04	1/2-20	19	17	15	18
2971-04-06	1/4	04	9/16-18	19	19	15	19
2971-05-06	5/16	05	9/16-18	20	19	17	20
2971-06-06	3/8	06	9/16-18	23	19	17	20
2971-06-08	3/8	06	3/4-16	24	24	22	22

## 2950

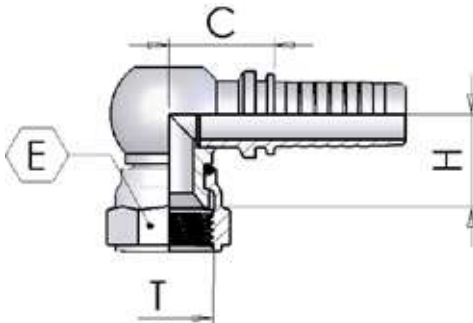
### JIC 90° Compact Elbow 74° cone - Thrust Wire Nut - Welded



Part number	Hose I.D.	Dimensions				
		dash	Thread		Hex	Drop
	in	size	T	C	E	H
2950-10-10	5/8	10	7/8-14	28	27	26
2950-10-12	5/8	10	1.1/16-12	29	32	28

## 2951

### JIC 90° Compact Elbow 74° cone - Rolled Nut - Welded

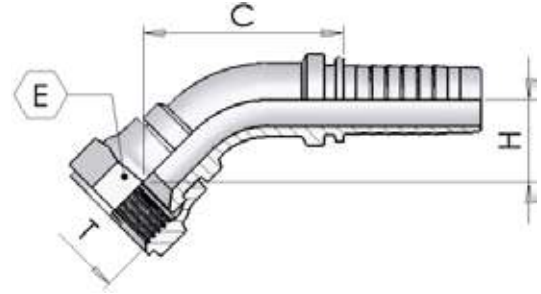


Part number	Hose I.D.	Dimensions				
		dash	Thread		Hex	Drop
	in	size	T	C	E	H
2951-10-10	5/8	10	7/8-14	28	27	26
2951-10-12	5/8	10	1.1/16-12	29	32	28



# 1001

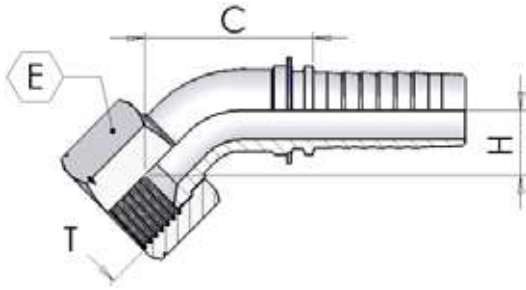
## JIC 90° Swept Elbow 74° cone - Rolled Nut



Part number	Hose I.D.	Dimensions				
		dash size	Thread T	C	Hex E	Drop H
1001-03-04	3/16	03	7/16-20	33	15	15
1001-04-04	1/4	04	7/16-20	38	15	13
1001-04-05	1/4	04	1/2-20	40	17	14
1001-04-06	1/4	04	9/16-18	47	19	18
1001-05-05	5/16	05	1/2-20	16	17	17
1001-05-06	5/16	05	9/16-18	47	19	18
1001-06-05	3/8	06	1/2-20	51	17	17
1001-06-06	3/8	06	9/16-18	51	19	17
1001-06-07	3/8	06	5/8-18	51	22	17
1001-06-08	3/8	06	3/4-16	52	24	19
1001-06-10	3/8	06	7/8-14	54	27	21
1001-08-08	1/2	08	3/4-16	62	24	22
1001-08-10	1/2	08	7/8-14	64	27	23
1001-08-12	1/2	08	1.1/16-12	68	32	25
1001-10-10	5/8	10	7/8-14	68	27	24
1001-10-12	5/8	10	1.1/16-12	70	32	25
1001S12-10	3/4	12	7/8-14	83	27	27
1001-12-12	3/4	12	1.1/16-12	84	32	28
1001-12-14	3/4	12	1.3/16-12	84	36	29
1001-12-16	3/4	12	1.5/16-12	88	38	30
1001-16-16	1	16	1.5/16-12	104	38	33

# 1002

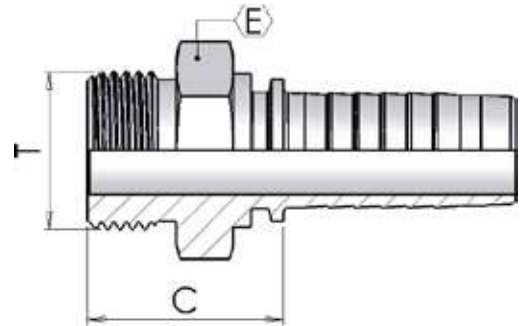
## JIC 45° Swept Elbow 74° Cone Slipe on nut



Part number	Hose I.D.	Dimensions				
		dash size	Thread T	C	Hex E	Drop H
1002-04-05	1/4	04	1/2-20	38	17	11
1002-04-06	1/4	04	9/16-18	38	19	11
1002-05-06	5/16	05	9/16-18	49	19	20
1002-06-08	3/8	06	3/4-16	48	22	13
1002-08-10	1/2	08	7/8-14	58	27	16
1002-10-12	5/8	10	1.1/16-12	66	32	18
1002-12-12	3/4	12	1.1/16-12	81	32	21
1002-12-16	3/4	12	1.5/16-12	86	38	30

# 0385

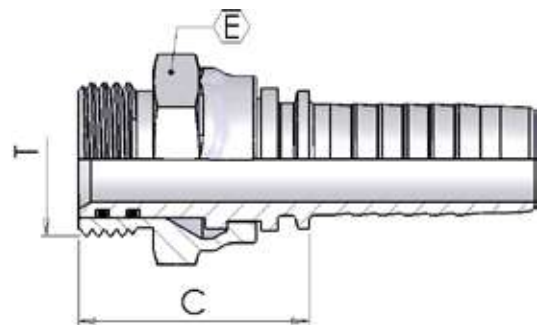
## SAE Male O'R Flat Seat



Part number	Hose I.D.		Dimensions			
			dash	Thread	Cut-Off	Hex
	in	mm	size	T	C	E
0385-04-04	1/4	6.4	04	7/16-20	24	14
0385-04-06	1/4	6.4	04	9/16-18	24	17
0385-05-06	5/16	7.9	05	9/16-18	24	17
0385-06-06	3/8	9.5	06	9/16-18	25	17
0385-06-08	3/8	9.5	06	3/4-16	28	22
0385-08-08	1/2	12.7	08	3/4-16	28	22
0385-08-10	1/2	12.7	08	7/8-14	30	27
0385-08-12	1/2	12.7	08	1.1/16-12	32	32
0385-10-10	5/8	15.9	10	7/8-14	30	27
0385-10-12	5/8	15.9	10	1.1/16-12	32	32
0385-12-12	3/4	19	12	1.1/16-12	33	32

# 0390

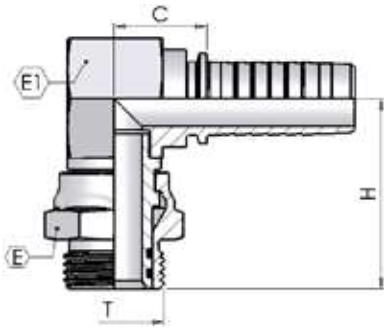
## Swivel Male O'Ring



Part number	Hose I.D.		Dimensions			
			dash	Thread	Cut-Off	Hex
	in	mm	size	T	C	E
0390-08-10	1/2	12.7	08	7/8-14	39	27
0390-10-10	5/8	15.9	10	7/8-14	39	27
0390-12-12	3/4	19	12	1.1/16-12	43	32

# 0395

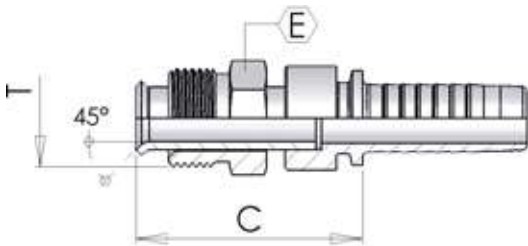
## 90° Swivel Male O'ring



Part number	Hose I.D.		Dimensions					
			dash	Thread	Cut-Off	Hex		Drop
	in	mm	size	T	C	E	E1	H
0395-08-10	1/2	12.7	08	7/8-14	21	27	27	48
0395-10-10	5/8	15.9	10	7/8-14	21	27	27	48
0395-12-12	3/4	19	12	1.1/16-12	25	32	32	52

# IF00

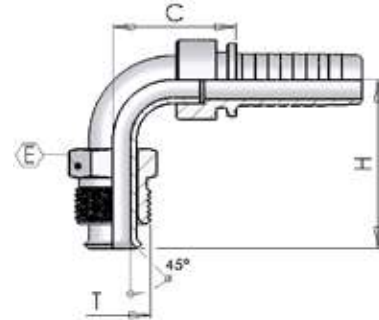
## Straight Male Inverted Flare Swivel



Part number	Hose I.D.		Dimensions			
			dash	Thread	Cut-Off	Hex
	in	mm	size	T	C	E
IF00-04-04	1/4	6.4	04	7/16-24	38	12
IF00-04-05	1/4	6.4	04	1/2-20	55	14
IF00-05-04	5/8	7.9	05	7/16-24	56	12
IF00-05-05	5/8	7.9	05	1/2-20	56	14
IF00-05-07	5/8	7.9	05	5/8-18	56	17
IF00-06-04	3/8	9.5	06	7/16-24	56	12
IF00-06-05	3/8	9.5	06	1/2-20	56	14
IF00-06-07	3/8	9.5	06	5/8-18	57	17
IF00-06-09	3/8	9.5	06	11/16-18	42	19
IF00-08-08	1/2	12.7	08	3/4-18	60	19

# IF90

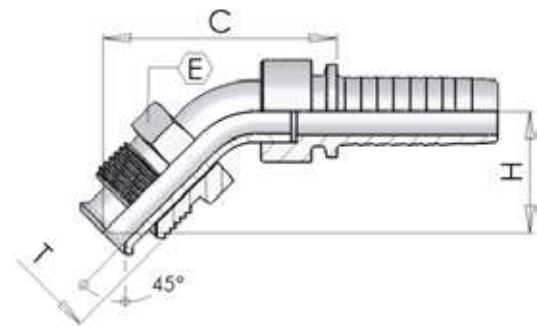
## 90° Male Inverted Flare Swivel



Part number	Hose I.D.		Dimensions				
			dash	Thread	Cut-Off	Hex	Drop
	in	mm	size	T	C	E	H
IF90-04-04	1/4	6.4	04	7/16-24	29	12	36
IF90-04-05	1/4	6.4	04	1/2-20	30	14	34
IF90-05-04	5/8	7.9	05	7/16-24	24	12	38
IF90-05-05	5/8	7.9	05	1/2-20	30	14	35
IF90-05-07	5/8	7.9	05	5/8-18	30	17	43
IF90-06-04	3/8	9.5	06	7/16-24	30	12	35
IF90-06-05	3/8	9.5	06	1/2-20	30	14	35
IF90-06-07	3/8	9.5	06	5/8-18	31	17	44
IF90-06-09	3/8	9.5	06	11/16-18	31	19	42
IF90-08-08	1/2	12.7	08	3/4-18	35	19	45

# IF45

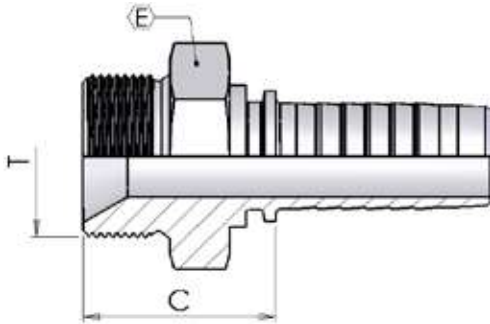
## 45° Male Inverted Flare Swivel



Part number	Hose I.D.		Dimensions				
			dash	Thread	Cut-Off	Hex	Drop
	in	mm	size	T	C	E	H
IF45-06-04	3/8	9.5	06	7/16-24	48	12	25
IF45-06-05	3/8	9.5	06	1/2-20	48	14	25
IF45-06-07	3/8	9.5	06	5/8-18	54	17	30
IF45-06-09	3/8	9.5	06	11/16-18	54	19	30

# 0400

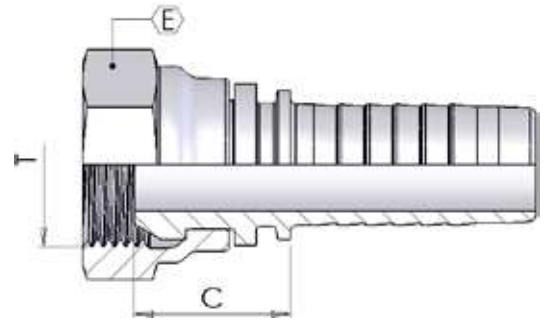
## Metric Male 60° cone



Part number	Hose I.D.		Dimensions			
			dash	Thread	Cut-Off	Hex
			size	T	C	E
0400-03-10	3/16	4.8	03	M10-1	19	14
0400-03-12	3/16	4.8	03	M12-1.5	25	17
0400-04-10	1/4	6.4	04	M10-1	20	14
0400-04-12	1/4	6.4	04	M12-1.5	26	17
0400-04-14	1/4	6.4	04	M14-1.5	26	19
0400-04-16	1/4	6.4	04	M16-1.5	26	22
0400-05-12	5/16	7.9	05	M12-1.5	26	17
0400-05-16	5/16	7.9	05	M16-1.5	26	22
0400-05-18	5/16	7.9	05	M18-1.5	26	24
0400-06-14	3/8	9.5	06	M14-1.5	26	19
0400-06-16	3/8	9.5	06	M16-1.5	26	22
0400-06-18	3/8	9.5	06	M18-1.5	27	24
0400-06-22	3/8	9.5	06	M22-1.5	27	27
0400-08-18	1/2	12.7	08	M18-1.5	28	24
0400-08-22	1/2	12.7	08	M22-1.5	30	27
0400-10-26	5/8	15.9	10	M26-1.5	32	32
0400-12-26	3/4	19	12	M26-1.5	33	32
0400-12-30	3/4	19	12	M30-1.5	36	36
0400-16-38	1	25.4	16	M38-1.5	37	46
0400-20-45	1.1/4	31.8	20	M45-1.5	39	55

# 0100

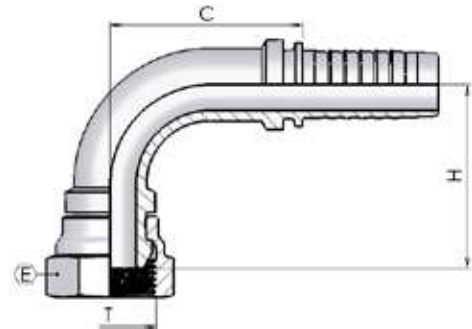
## Metric Female 60° cone



Part number	Hose I.D.		Dimensions			
			dash	Thread	Cut-Off	Hex
	in	mm	size	T	C	E
0100-12-30	3/4	19	12	M30-1.5	23	36
0100-16-38	1	25.4	16	M38-1.5	33	46
0100-20-45	1.1/4	31.8	20	M45-1.5	34	50
0100-24-52	1.1/2	38	24	M52x1,5	35	60
0100-32-65	2	50.8	32	M65-2	31	75

# 0200

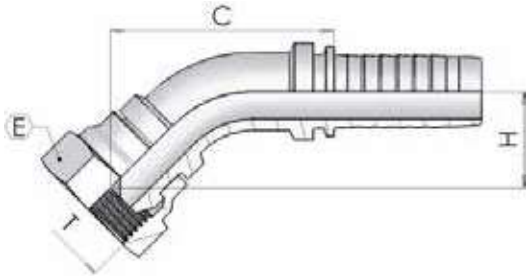
## 90° Metric Swept Elbow 60° cone



Part number	Hose I.D.		Dimensions				
			dash	Thread	Cut-Off	Hex	Drop
	in	mm	size	T	C	E	H
0200S12-30	3/4	19	12	M30-1.5	48	36	57
0200S20-45	1.1/4	31.8	20	M45-1.5	63	50	71
0200-16-38	1	25.4	16	M38-1.5	70	46	71

# 0300

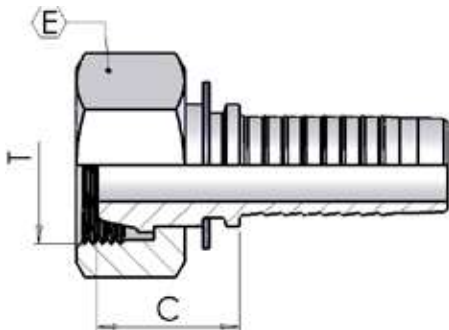
## 45° Metric Swept Elbow 60° cone



Part number	Hose I.D.		Dimensions				
			dash	Thread	Cut-Off	Hex	Drop
	in	mm	size	T	C	E	H
0300S12-30	3/4	19	12	M30-1.5	57	36	27
0300S20-45	1.1/4	31.8	20	M45-1.5	73	50	27
0300-16-38	1	25.4	16	M38-1.5	109	46	38

# 0035

## Metric Female 24° Seat Light Multiseal

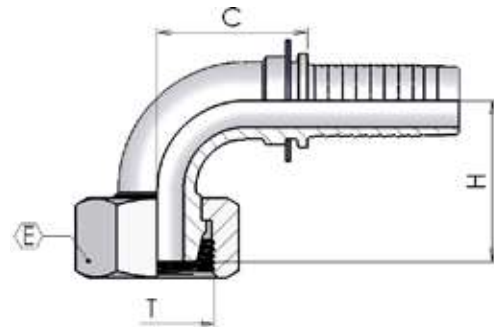


Part number	Hose I.D.		Dimensions				
			dash	Thread		Cut-Off	Hex
	in	mm	size	T	Erm	C	E
0035-03-12	3/16	4.8	03	M12-1.5	6	19	14
0035-03-16	3/16	4.8	03	M16-1.5	10	18	19
0035-04-14	1/4	6.4	04	M14-1.5	8	19	17
0035-04-16	1/4	6.4	04	M16-1.5	10	19	19
0035-05-16	5/16	7.9	05	M16-1.5	10	19	19
0035-05-18	5/16	7.9	05	M18-1.5	12	21	22
0035-06-18	3/8	9.5	06	M18-1.5	12	23	22
0035-06-22	3/8	9.5	06	M22-1.5	15	22	27
0035-08-22	1/2	12.7	08	M22-1.5	15	22	27
0035-08-26	1/2	12.7	08	M26-1.5	18	24	32
0035-10-26	5/8	15.9	10	M26-1.5	18	24	32



# 0135

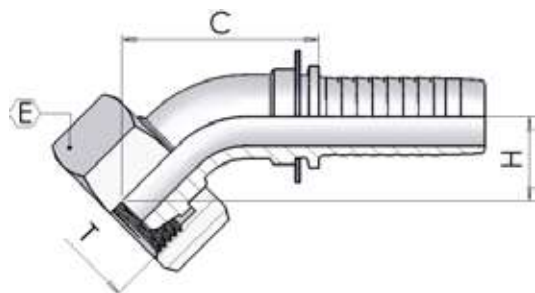
## 90° Metric Swept Elbow 24° Seat Light Multiseal



Part number	Hose I.D.		Dimensions					
			dash	Thread		Cut-Off	Hex	Drop
	in	mm	size	T	Erm	C	E	H
0135-04-14	1/4	6.4	04	M14-1.5	8	25	17	25
0135-04-16	1/4	6.4	04	M16-1.5	10	26	19	24
0135-05-16	5/16	7.9	05	M16-1.5	10	32	19	29
0135-05-18	5/16	7.9	05	M18-1.5	12	31	22	30
0135-06-18	3/8	9.5	06	M18-1.5	12	32	22	33
0135-06-22	3/8	9.5	06	M22-1.5	15	33	27	34
0135-08-22	1/2	12.7	08	M22-1.5	15	41	27	38
0135-10-26	5/8	15.9	10	M26-1.5	18	46	32	42

# 0235

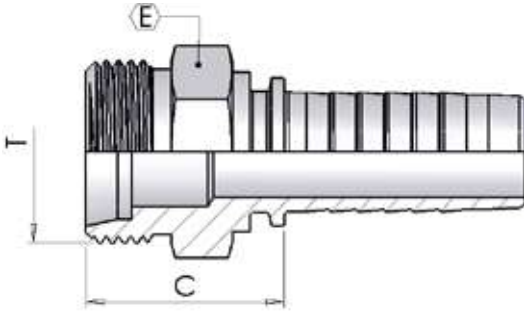
## 45° Metric Swept Elbow 24° Seat Light Multiseal



Part number	Hose I.D.		Dimensions					
			dash	Thread		Cut-Off	Hex	Drop
	in	mm	size	T	Erm	C	E	H
0235-04-12	1/4	6.4	04	M12-1.5	6	36	14	15
0235-04-14	1/4	6.4	04	M14-1.5	8	40	17	14
0235-04-16	1/4	6.4	04	M16-1.5	10	37	19	16
0235-05-16	5/16	7.9	05	M16-1.5	10	47	19	14
0235-05-18	5/16	7.9	05	M18-1.5	12	49	22	16
0235-06-18	3/8	9.5	06	M18-1.5	12	50	22	16
0235-08-22	1/2	12.7	08	M22-1.5	15	61	27	21

# 0500

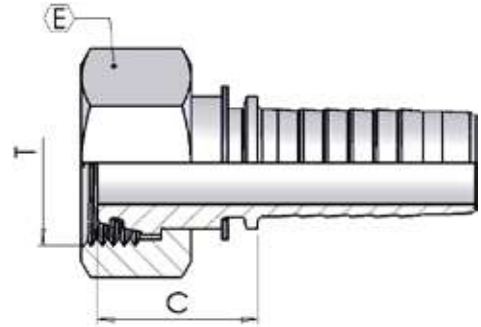
## Metric Male 24° Seat Light



Part number	Hose I.D.		Dimensions				
			dash	Thread		Cut-Off	Hex
	in	mm	size	T	Erm	C	E
0500-03-12	3/16	4.8	03	M12-1.5	6	22	14
0500-04-12	1/4	6.4	04	M12-1.5	6	23	14
0500-04-14	1/4	6.4	04	M14-1.5	8	22	14
0500-04-16	1/4	6.4	04	M16-1.5	10	23	17
0500-04-18	1/4	6.4	04	M18-1.5	12	24	19
0500-05-14	5/16	7.9	05	M14-1.5	8	22	14
0500-05-16	5/16	7.9	05	M16-1.5	10	23	17
0500-05-18	5/16	7.9	05	M18-1.5	12	24	19
0500-05-22	5/16	7.9	05	M22-1.5	15	25	22
0500-06-16	3/8	9.5	06	M16-1.5	10	23	17
0500-06-18	3/8	9.5	06	M18-1.5	12	24	19
0500-06-22	3/8	9.5	06	M22-1.5	15	25	22
0500-08-18	1/2	12.7	08	M18-1.5	12	25	19
0500-08-22	1/2	12.7	08	M22-1.5	15	26	22
0500-08-26	1/2	12.7	08	M26-1.5	18	27	27
0500-10-22	5/8	15.9	10	M22-1.5	15	26	22
0500-10-26	5/8	15.9	10	M26-1.5	18	27	27
0500-10-30	5/8	15.9	10	M30-2	22	32	30
0500-12-26	3/4	19	12	M26-1.5	18	28	27
0500-12-30	3/4	19	12	M30-2	22	33	30
0500-16-36	1	25.4	16	M36-2	28	32	36
0500-20-45	1.1/4	31.8	20	M45-2	35	36	46
0500-24-52	1.1/2	38.1	24	M52-2	42	38	55

# 0085

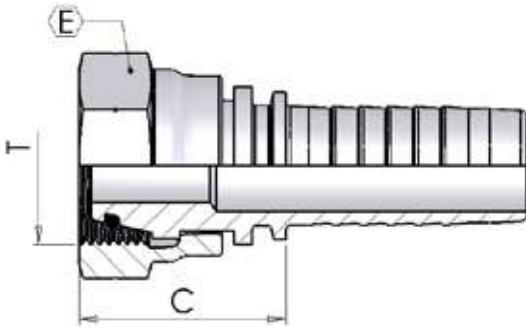
## Metric Female 24° Seat Light



Part number	Hose I.D.		Dimensions				
			dash	Thread		Cut-Off	Hex
	in	mm	size	T	Erm	C	E
0085-03-12	3/16	4.8	03	M12-1.5	6	23	14
0085-04-14	1/4	6.4	04	M14-1.5	8	24	17
0085-04-16	1/4	6.4	04	M16-1.5	10	24	19
0085-04-18	1/4	6.4	04	M18-1.5	12	25	22
0085-05-16	5/16	7.9	05	M16-1.5	10	24	19
0085-05-18	5/16	7.9	05	M18-1.5	12	25	22
0085-06-18	3/8	9.5	06	M18-1.5	12	25	22
0085-06-22	3/8	9.5	06	M22-1.5	15	29	27
0085-08-22	1/2	12.7	08	M22-1.5	15	29	27
0085-08-26	1/2	12.7	08	M26-1.5	18	29	32
0085-10-26	5/8	15.9	10	M26-1.5	18	29	32
0085-10-30	5/8	15.9	12	M30-2	22	29	36
0085-12-30	3/4	19	12	M30-2	22	29	36
0085-12-36	3/4	19	12	M36-2	28	28	41
0085-16-36	1	25.4	16	M36-2	28	30	41
0085-20-45	1.1/4	31.8	20	M45-2	35	40	50
0085-24-52	1.1/2	38.1	24	M52-2	42	41	60

# 0085\_R

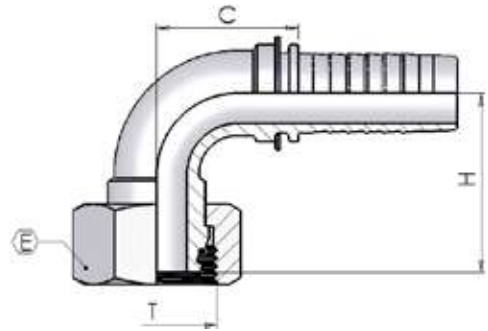
## Metric Female 24° Seat Light (rolled nut)



Part number	Hose I.D.		Dimensions				
			dash	Thread		Cut-Off	Hex
	in	mm	size	T	Erm	C	E
0085_R-04-12	1/4	6.4	04	M12-1.5	6	25	14
0085_R-05-14	5/16	7.9	05	M14-1.5	8	26	19
0085_R-06-16	3/8	9.5	06	M16-1.5	10	25	19
0085_R-08-18	1/2	12.7	08	M18-1.5	12	28	24
0085_R-10-22	5/8	15.9	10	M22-1.5	15	32	27
0085_R-12-26	3/4	19	12	M26-1.5	18	36	32

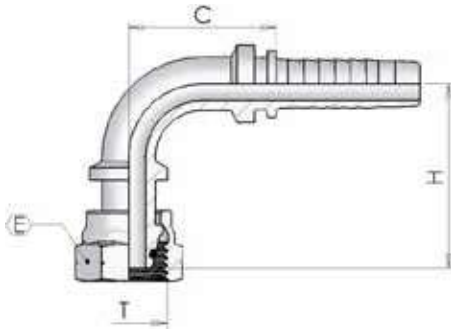
# 0185

## 90° Metric Swept Elbow 24° Seat Light



Part number	Hose I.D.		Dimensions					
			dash	Thread		Cut-Off	Hex	Drop
	in	mm	size	T	Erm	C	E	H
0185-03-12	3/16	4.8	03	M12-1.5	6	22	14	23
0185-04-14	1/4	6.4	04	M14-1.5	8	26	17	26
0185-04-16	1/4	6.4	04	M16-1.5	10	25	19	27
0185-04-18	1/4	6.4	04	M18-1.5	12	27	22	30
0185-05-16	5/16	7.9	05	M16-1.5	10	31	19	31
0185-05-18	5/16	7.9	05	M18-1.5	12	31	22	32
0185-06-18	3/8	9.5	06	M18-1.5	12	32	22	35
0185-06-22	3/8	9.5	06	M22-1.5	15	32	27	35
0185-08-22	1/2	12.7	08	M22-1.5	15	41	27	38
0185-08-26	1/2	12.7	08	M26-1.5	18	41	32	39
0185-10-26	5/8	15.9	10	M26-1.5	18	44	32	44
0185S12-26	3/4	19	12	M26-1.5	18	42	32	44
0185-12-30	3/4	19	12	M30-2	22	58	36	52
0185S12-36	3/4	19	12	M36-2	28	49	41	51
0185-16-36	1	25.4	16	M36-2	28	72	41	62
0185S20-45	1.1/4	31.8	20	M45-2	35	63	50	73
0185S24-52	1.1/2	38.1	24	M52-2	42	81	60	83

# 0185\_R

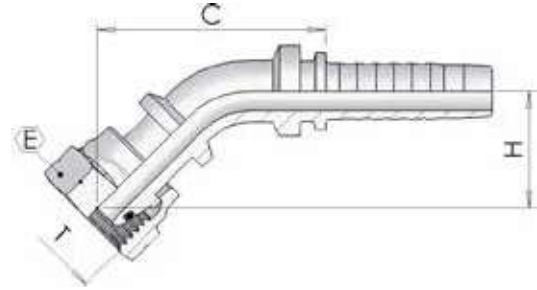


## 90° Metric Swept Elbow 24° Seat Light (rolled nut)

Part number	Hose I.D.		Dimensions					
			dash	Thread		Cut-Off	Hex	Drop
	in	mm	size	T	Erm	C	E	H
0185_R-04-12	1/4	6.4	04	M12-1.5	6	26	14	34
0185_R-05-14	5/16	7.9	05	M14-1.5	8	30	17	38
0185_R-06-16	3/8	9.5	06	M16-1.5	10	32	19	39
0185_RS08-18	1/2	12.7	08	M18-1.5	12	33	24	48
0185_R-10-22	5/8	15.9	08	M22-1.5	15	42	27	55

# 0285

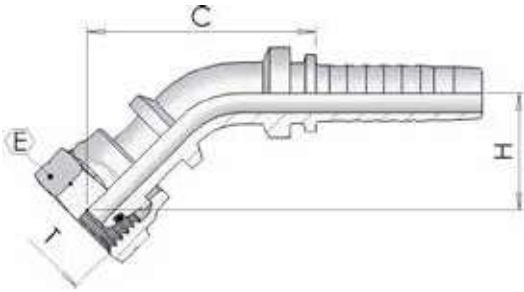
## 45° Metric Swept Elbow 24° Seat Light



Part number	Hose I.D.		Dimensions					
			dash	Thread		Cut-Off	Hex	Drop
	in	mm	size	T	Erm	C	E	H
0285-03-12	3/16	4.8	03	M12-1.5	6	36	14	14
0285-04-14	1/4	6.4	04	M14-1.5	8	42	17	14
0285-04-16	1/4	6.4	04	M16-1.5	10	42	19	15
0285-04-18	1/4	6.4	04	M18-1.5	12	43	22	16
0285-05-16	5/16	7.9	05	M16-1.5	10	48	19	17
0285-05-18	5/16	7.9	05	M18-1.5	12	48	22	18
0285-06-18	3/8	9.5	06	M18-1.5	12	52	22	19
0285-06-22	3/8	9.5	06	M22-1.5	15	51	27	19
0285-08-22	1/2	12.7	08	M22-1.5	15	63	27	21
0285S08-26	1/2	12.7	08	M26-1.5	18	44	32	17
0285-10-26	5/8	15.9	10	M26-1.5	18	68	32	23
0285S12-26	3/4	19	12	M26-1.5	18	43	32	19
0285-12-30	3/4	19	12	M30-2	22	85	36	27
0285-16-36	1	25.4	16	M36-2	28	102	41	32
0285S20-45	1.1/4	31.8	20	M45-2	35	72	50	34
0285S24-52	1.1/2	38.1	24	M52-2	42	85	60	36

# 0285\_R

## 45° Metric Swept Elbow 24° Seat Light (rolled nut)

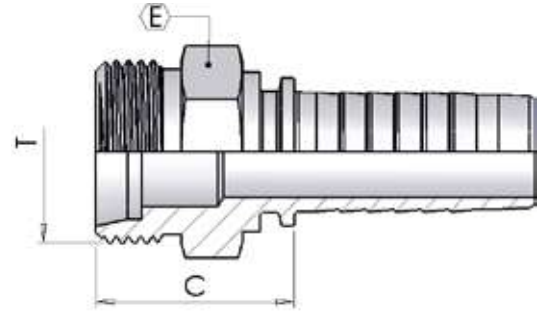


Part number	Hose I.D.		Dimensions					
			dash	Thread		Cut-Off	Hex	Drop
	in	mm	size	T	Erm	C	E	H
0285_R-04-12	1/4	6.4	04	M12-1.5	6	46	14	20
0285_R-06-16	3/8	9.5	06	M16-1.5	10	55	19	22



# 0450

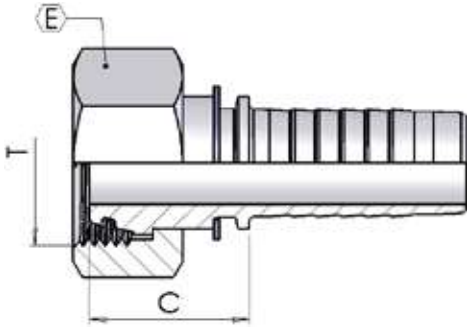
## Metric Male 24° Seat Heavy



Part number	Hose I.D.		Dimensions				
			dash	Thread		Cut-Off	Hex
	in	mm	size	T	Erm	C	E
0450-03-16	3/16	4.8	03	M16-1.5	8	26	17
0450-04-14	1/4	6.4	04	M14-1.5	6	25	14
0450-04-16	1/4	6.4	04	M16-1.5	8	27	17
0450-04-18	1/4	6.4	04	M18-1.5	10	27	19
0450-05-18	5/16	7.9	05	M18-1.5	10	27	19
0450-05-20	5/16	7.9	05	M20-1.5	12	29	22
0450-06-18	3/8	9.5	06	M18-1.5	10	27	19
0450-06-20	3/8	9.5	06	M20-1.5	12	29	22
0450-06-22	3/8	9.5	06	M22-1.5	14	31	22
0450-06-24	3/8	9.5	06	M24-1.5	16	31	24
0450-08-24	1/2	12.7	08	M24-1.5	16	32	24
0450-10-30	5/8	15.9	10	M30-2	20	34	30
0450-12-30	3/4	19	12	M30-2	20	35	30
0450-12-36	3/4	19	12	M36-2	25	38	36
0450-16-36	1	25.4	16	M36-2	25	39	36
0450-16-42	1	25.4	16	M42-2	30	42	46
0450-20-42	1.1/4	31.8	20	M42-2	30	43	46
0450-20-52	1.1/4	31.8	20	M52-2	38	45	55
0450-24-52	1.1/2	38.1	24	M52-2	38	45	55

# 0084

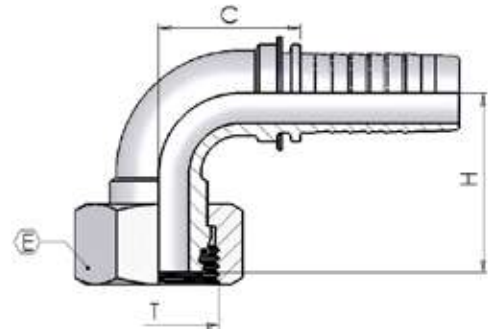
## Metric Female 24° Seat Heavy



Part number	Hose I.D.		Dimensions				
			dash	Thread		Cut-Off	Hex
	in	mm	size	T	Erm	C	E
0084-03-16	3/16	4.8	03	M16-1.5	8	25	19
0084-04-14	1/4	6.4	04	M14-1.5	6	23	17
0084-04-16	1/4	6.4	04	M16-1.5	8	25	19
0084-04-18	1/4	6.4	04	M18-1.5	10	24	22
0084-05-18	5/16	7.9	05	M18-1.5	10	24	22
0084-05-20	5/16	7.9	05	M20-1.5	12	26	24
0084-06-18	3/8	9.5	06	M18-1.5	10	25	22
0084-06-20	3/8	9.5	06	M20-1.5	12	25	24
0084-06-22	3/8	9.5	06	M22-1.5	14	29	27
0084-08-22	1/2	12.7	08	M22-1.5	14	17	27
0084-08-24	1/2	12.7	08	M24-1.5	16	30	30
0084-08-30	1/2	12.7	08	M30-2	20	33	36
0084-10-30	5/8	15.9	10	M30-2	20	33	36
0084-12-30	3/4	19	12	M30-2	20	34	36
0084-12-36	3/4	19	12	M36-2	25	40	46
0084-16-36	1	25.4	16	M36-2	25	41	46
0084-16-42	1	25.4	16	M42-2	30	43	50
0084-20-52	1.1/4	31.8	20	M52-2	38	44	60
0084-24-52	1.1/2	38.1	24	M52-2	38	44	60

# 0184

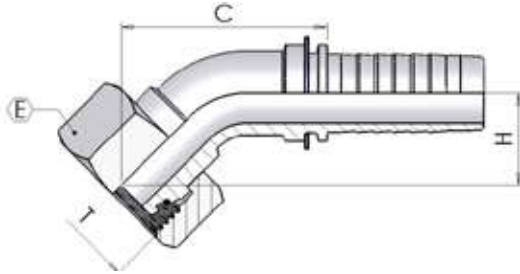
## 90° Metric Swept Elbow 24° Seat Heavy



Part number	Hose I.D.		Dimensions					
			dash	Thread		Cut-Off	Hex	Drop
	in	mm	size	T	Erm	C	E	H
0184-03-16	3/16	4.8	03	M16-1.5	8	22	19	25
0184-04-14	1/4	6.4	04	M14-1.5	6	27	17	26
0184-04-16	1/4	6.4	04	M16-1.5	8	26	19	26
0184-04-18	1/4	6.4	04	M18-1.5	10	27	22	31
0184-04-20	1/4	6.4	04	M20-1.5	12	27	24	30
0184-05-18	5/16	7.9	05	M18-1.5	10	33	22	33
0184-05-20	5/16	7.9	05	M20-1.5	12	30	24	34
0184-06-18	3/8	9.5	06	M18-1.5	10	34	22	35
0184-06-20	3/8	9.5	06	M20-1.5	12	34	24	34
0184-06-22	3/8	9.5	06	M22-1.5	14	33	27	33
0184-08-24	1/2	12.7	08	M24-1.5	16	40	30	41
0184-10-24	5/8	15.9	10	M24-1.5	16	42	30	60
0184-10-30	5/8	15.9	10	M30-2	20	46	36	50
0184-12-30	3/4	19	12	M30-2	20	58	36	56
0184-12-36	3/4	19	12	M36-2	25	56	46	59
0184-16-36	1	25.4	16	M36-2	25	69	46	67
0184-16-42	1	25.4	16	M42-2	30	69	50	67
0184-20-52	1.1/4	31.8	20	M52-2	38	84	60	82
0184-24-52	1.1/2	38.1	24	M52-2	38	99	60	94

# 0284

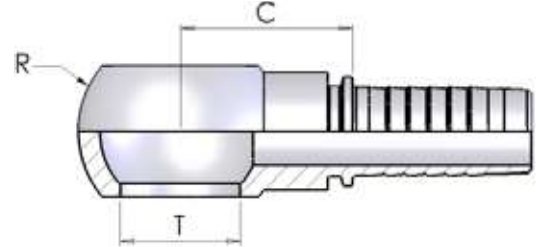
## 45° Metric Swept Elbow 24° Seat Heavy



Part number	Hose I.D.		Dimensions					
			dash	Thread		Cut-Off	Hex	Drop
	in	mm	size	T	Erm	C	E	H
0284-03-16	3/16	4.8	03	M16-1.5	8	36	19	16
0284-04-14	1/4	6.4	04	M14-1.5	6	37	17	15
0284-04-16	1/4	6.4	04	M16-1.5	8	42	19	15
0284-04-18	1/4	6.4	04	M18-1.5	10	45	22	18
0284-05-20	5/16	7.9	05	M20-1.5	12	49	24	19
0284-06-18	3/8	9.5	06	M18-1.5	10	51	22	19
0284-06-20	3/8	9.5	06	M20-1.5	12	53	24	18
0284-06-22	3/8	9.5	06	M22-1.5	14	54	27	20
0284-08-24	1/2	12.7	08	M24-1.5	16	63	30	21
0284-10-30	5/8	15.9	10	M30-2	20	74	36	29
0284-12-30	3/4	19	12	M30-2	20	87	36	30
0284-12-36	3/4	19	12	M36-2	25	56	46	31
0284-16-36	1	25.4	16	M36-2	25	105	46	34
0284-16-42	1	25.4	16	M42-2	30	82	50	33
0284-20-52	1.1/4	31.8	20	M52-2	38	105	60	39
0284-24-52	1.1/2	38.1	24	M52-2	38	157	60	52

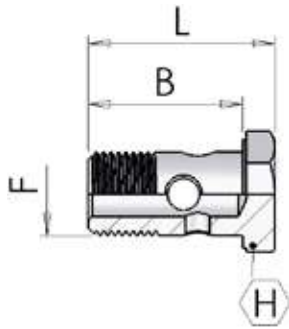
# 1350

## Metric Banjo



Part number	Hose I.D.		Dimensions			
			dash		Cut-Off	
	in	mm	size	mm	C	R
1350-03-10	3/16	4.8	03	10.2	25	17
1350-03-12	3/16	4.8	03	12.2	21	20
1350-04-10	1/4	6.4	04	10.2	25	17
1350-04-12	1/4	6.4	04	12.2	22	20
1350-04-14	1/4	6.4	04	14.2	25	24
1350-05-14	5/16	7.9	05	14.2	25	24
1350-05-16	5/16	7.9	05	16.2	31	28
1350-05-18	5/16	7.9	05	18.2	29	32
1350-06-14	3/8	9.5	06	14.2	25	24
1350-06-16	3/8	9.5	06	16.2	31	28
1350-06-18	3/8	9.5	06	18.2	29	32
1350-06-22	3/8	9.5	06	22.2	31	36
1350-08-16	1/2	12.7	08	16.2	30	28
1350-08-18	1/2	12.7	08	18.2	29	32
1350-08-22	1/2	12.7	08	22.2	31	36
1350-10-22	5/8	15.9	10	22.2	31	36
1350-10-26	5/8	15.9	10	26.5	38	45
1350-12-22	3/4	19	12	22.2	32	36

# 1650

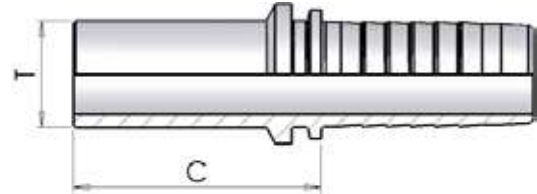


## Metric perfored bolt

Part number	Dimensions			
	B	F	L	Drop H
1650-00-10	19	M10-1	24	14
1650-00-12	26	M12-1.5	31	17
1650-00-14	29	M14-1.5	34	19
1650-00-16	33	M16-1.5	41	22
1650-00-18	37	M18-1.5	44	24
1650-00-20	38	M20-1.5	46	27
1650-00-22	38	M22-1.5	46	27
1650-00-26	47	M26-1.5	56	32
1650-00-30	58	M30-1.5	68	36

# 0550

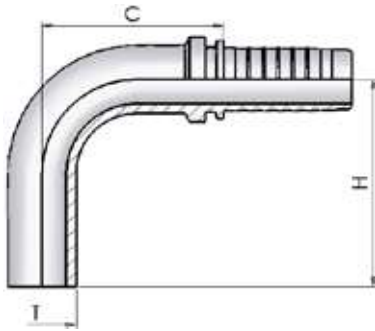
## Metric Standpipe



Part number	Hose I.D.		Dimensions			
			dash	pipe		Cut-Off
	in	mm	size	T	Type	C
0550-03-06	3/16	4.8	03	6	L/S	30
0550-03-08	3/16	4.8	03	8	L/S	29
0550-04-06	1/4	6.4	04	6	L/S	32
0550-04-08	1/4	6.4	04	8	L/S	30
0550-04-10	1/4	6.4	04	10	L/S	33
0550-04-12	1/4	6.4	04	12	L/S	30
0550-05-08	5/16	7.9	05	08	L/S	31
0550-05-10	5/16	7.9	05	10	L/S	31
0550-05-12	5/16	7.9	05	12	L/S	33
0550-06-08	3/8	9.5	06	08	L/S	33
0550-06-10	3/8	9.5	06	10	L/S	33
0550-06-12	3/8	9.5	06	12	L/S	32
0550-06-14	3/8	9.5	06	14	S	37
0550-06-15	3/8	9.5	06	15	L	32
0550-08-12	1/2	12.7	08	12	L/S	36
0550-08-14	1/2	12.7	08	14	S	39
0550-08-15	1/2	12.7	08	15	L	34
0550-08-16	1/2	12.7	08	16	S	39
0550-08-18	1/2	12.7	08	18	L	35
0550-08-20	1/2	12.7	08	20	S	45
0550-10-18	5/8	15.9	10	18	L	35
0550-10-20	5/8	15.9	10	20	S	45
0550-10-22	5/8	15.9	10	22	L	33
0550-12-18	3/4	19	12	18	L	37
0550-12-20	3/4	19	12	20	S	46
0550-12-22	3/4	19	12	22	L	38
0550-12-25	3/4	19	12	25	S	49
0550-12-28	3/4	19	12	28	L	40
0550-16-25	1	25.4	16	25	S	51
0550-16-28	1	25.4	16	28	L	41
0550-16-30	1	25.4	16	30	S	54
0550-16-38	1	25.4	16	38	S	60
0550-20-30	1.1/4	31.8	20	30	S	58
0550-20-35	1.1/4	31.8	20	35	L	48
0550-20-38	1.1/4	31.8	20	38	S	62
0550-24-38	1.1/2	38.1	24	38	S	63
0550-24-42	1.1/2	38.1	24	42	L	50

# 0650

## 90° Metric Standpipe

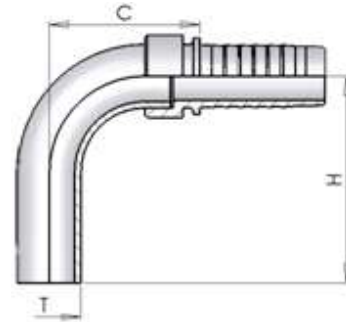


Part number	Hose I.D.		Dimensions				
			dash	pipe		Cut-Off	Drop
	in	mm	size	T	Type	C	H
0650-03-06	3/16	4.8	03	6	L/S	20	32
0650-04-06	1/4	6.4	04	6	L/S	23	32
0650-04-08	1/4	6.4	04	8	L/S	25	34
0650-04-10	1/4	6.4	04	10	L/S	25	43
0650-05-10	5/16	7.9	05	10	L/S	29	40
0650-05-12	5/16	7.9	05	12	L/S	29	45
0650-06-10	3/8	9.5	06	10	L/S	27	40
0650-06-12	3/8	9.5	06	12	L/S	30	44



# 0650S

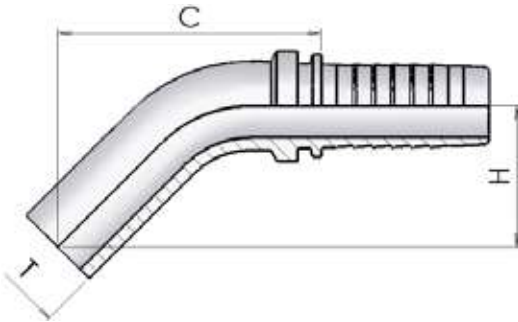
## 90° Metric Standpipe (welded)



Part number	Hose I.D.		Dimensions				
			dash	pipe		Cut-Off	Drop
	in	mm	size	T	Type	C	H
0650S06-15	3/8	9.5	06	15	L	39	52
0650S03-08	3/16	4.8	03	8	L/S	25	41
0650S04-12	1/4	6.4	04	12	L/S	35	44
0650S05-08	5/16	7.9	05	8	L/S	27	41
0650S06-14	3/8	9.5	06	14	S	36	46
0650S08-12	1/2	12.7	08	12	L/S	33	44
0650S08-14	1/2	12.7	08	14	S	36	46
0650S08-15	1/2	12.7	08	15	L	39	52
0650S08-16	1/2	12.7	08	16	S	42	56
0650S08-18	1/2	12.7	08	18	L	42	56
0650S10-18	5/8	15.9	10	18	L	42	56
0650S10-20	5/8	15.9	10	20	S	48	65
0650S10-22	5/8	15.9	10	22	L	51	71
0650S12-20	3/4	19	12	20	S	48	65
0650S12-22	3/4	19	12	22	L	51	71
0650S12-25	3/4	19	12	25	S	57	75
0650S16-25	1	25.4	16	25	S	57	75
0650S16-28	1	25.4	16	28	L	60	89
0650S16-30	1	25.4	16	30	S	65	89
0650S20-30	1.1/4	31.8	20	30	S	66	89
0650S20-35	1.1/4	31.8	20	35	L	76	98
0650S20-38	1.1/4	31.8	20	38	S	83	102
0650S24-38	1.1/2	38.1	24	38	S	82	102
0650S24-42	1.1/2	38.1	24	42	L	106	125

# 0750

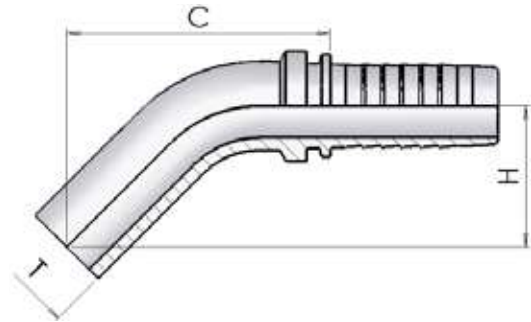
## 45° Metric Standpipe



Part number	Hose I.D.		Dimensions				
			dash	pipe		Cut-Off	Drop
	in	mm	size	T	Type	C	H
0750-04-06	1/4	6.4	04	6	L/S	41	24
0750-04-08	1/4	6.4	04	8	L/S	43	25
0750-04-10	1/4	6.4	04	10	L/S	47	30
0750-05-10	5/16	7.9	05	10	L/S	49	30
0750-05-12	5/16	7.9	05	12	L/S	53	32
0750-06-12	3/8	9.5	06	12	L/S	52	33

# 0750S

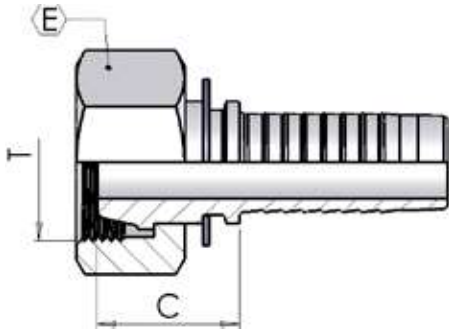
## 45° Metric Standpipe (Welded)



Part number	Hose I.D.		Dimensions				
			dash	pipe		Cut-Off	Drop
	in	mm	size	T	Type	C	H
0750S03-08	3/16	4.8	03	8	L/S	41	23
0750S04-12	1/4	6.4	04	12	L/S	54	29
0750S06-14	3/8	9.5	06	14	S	50	27
0750S06-15	3/8	9.5	06	15	L	54	29
0750S08-14	1/2	12.7	08	14	S	50	27
0750S08-15	1/2	12.7	08	15	L	55	29
0750S08-16	1/2	12.7	08	16	S	54	27
0750S08-18	1/2	12.7	08	18	L	56	29
0750S10-18	5/8	15.9	10	18	L	56	29
0750S10-20	5/8	15.9	10	20	S	56	34
0750S10-22	5/8	15.9	10	22	L	66	35
0750S12-20	3/4	19	12	20	S	63	34
0750S12-22	3/4	19	12	22	L	65	35
0750S12-25	3/4	19	12	25	S	76	41
0750S16-25	1	25.4	16	25	S	76	41
0750S16-28	1	25.4	16	28	L	84	49
0750S16-30	1	25.4	16	30	S	86	44
0750S20-30	1.1/4	31.8	20	30	S	88	44
0750S20-35	1.1/4	31.8	20	35	L	94	47
0750S20-38	1.1/4	31.8	20	38	S	101	50
0750S24-38	1.1/2	38.1	24	38	S	100	50
0750S24-42	1.1/2	38.1	24	42	L	114	55

# 0030

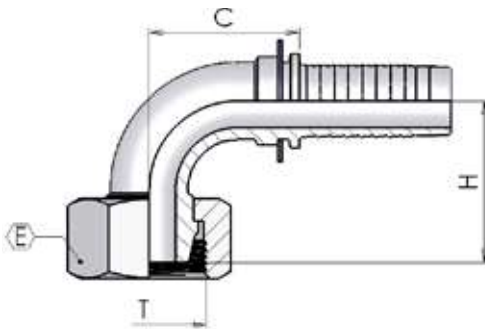
## Metric Female 24° Cone French Type



Part number	Hose I.D.		Dimensions			
			dash size	Thread T	Cut-Off C	Hex E
0030-05-20	5/16	7.9	05	M20-1.5	25	24
0030-06-20	3/8	9.5	06	M20-1.5	26	24
0030-08-24	1/2	12.7	08	M24-1.5	28	30
0030-10-30	5/8	15.9	10	M30-1.5	25	36
0030-12-30	3/4	19	12	M30-1.5	26	36
0030-12-36	3/4	19	12	M36-1.5	29	46
0030-16-45	1	25.4	16	M45-1.5	30	55
0030-20-52	1.1/4	31.8	20	M52-1.5	34	65

# 0130

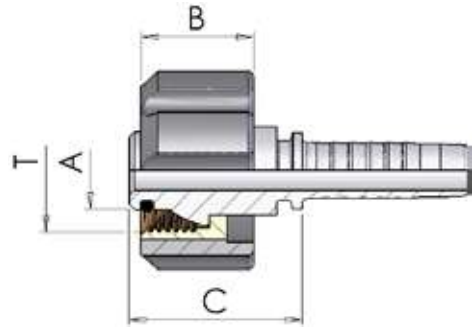
## 90° Metric Swept Elbow 24° Cone French Type



Part number	Hose I.D.		Dimensions				
			dash size	Thread T	Cut-Off C	Hex E	Drop H
0130-05-20	5/16	7.9	05	M20-1.5	29	24	35
0130-06-20	3/8	9.5	06	M20-1.5	33	24	35
0130-08-24	1/2	12.7	08	M24-1.5	43	30	40
0130S10-30	5/8	15.9	10	M30-1.5	48	36	49
0130-12-36	3/4	19	12	M36-1.5	56	46	55

# FK50

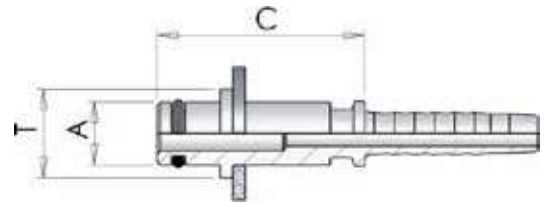
## K' Female



Part number	Hose I.D.		Dimensions				
			dash	Thread	Cut-Off		
	in	mm	size	T	C	A	B
FK50-04-22	1/4	6.4	04	M22-1.5	31	14	20
FK50-05-22	5/16	7.9	05	M22-1.5	31	14	20
FK50-06-22	3/8	9.5	06	M22-1.5	31	14	20
FK50-04022	1/4	6.4	04	M22-1.5	31	14	27
FK50-05022	5/16	7.9	05	M22-1.5	31	14	27
FK50-06022	3/8	9.5	06	M22-1.5	31	14	27

# FN50

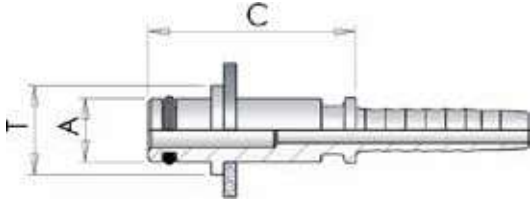
## 'K' Male (for gun) - Diameter 10



Part number	Hose I.D.		Dimensions			
			dash	Thread		
	in	mm	size	T	A	C
FN50-04-22	1/4	6.4	04	M22-1.5	10	33
FN50-05-22	5/16	7.9	05	M22-1.5	10	33
FN50-06-22	3/8	9.5	06	M22-1.5	10	33

# FN51

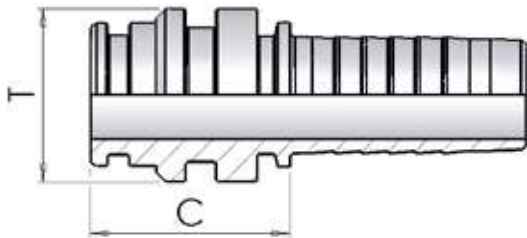
## 'K' Male (for gun) - Diameter 11



Part number	Hose I.D.	Dimensions			
		dash	Thread		
	in	size	T	A	C
FN51-04-22	1/4	04	M22-1.5	11	33
FN51-05-22	5/16	05	M22-1.5	11	33
FN51-06-22	3/8	06	M22-1.5	11	33

# 0398

## Staplelock Male

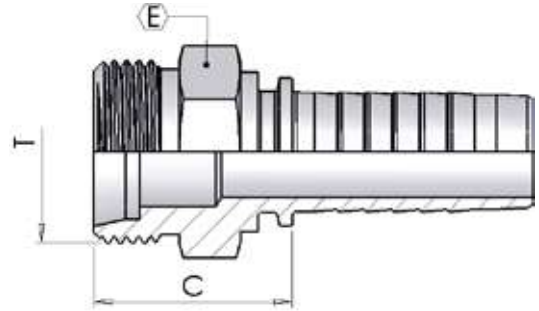


Secondo SAE J1467

Part number	Hose I.D.		Dimensions		
	dash	Thread	Cut-Off		
	in	mm	size	T	C
0398-04-04	1/4	6.4	04	14.9	32
0398-06-06	3/8	9.5	06	19.9	35
0398-08-08	1/2	12.7	08	23.9	33
0398-12-12	3/4	19	12	28.9	33
0398-16-16	1	25.4	16	38.8	39
0398-20-20	1.1/4	31.8	20	45.9	41

# KO5B

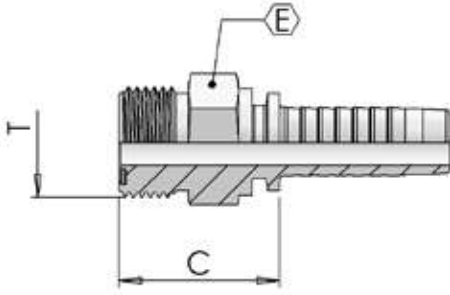
## Kobelko Male



Part number	Hose I.D.		Dimensions			
			dash	Thread	Cut-Off	Hex
	in	mm	size	T	C	E
KO5B-10-30	5/8	15.9	10	M30-1.5	32	32
KO5B-12-30	3/4	19	12	M30-1.5	35	32
KO5B-12-36	3/4	19	12	M36-1.5	36	41
KO5B-16-36	1	25.4	16	M36-1.5	37	41
KO5B-16-45	1	25.4	16	M45-1,5	38	50

# S350

## ORFS Male Maschio ORFS



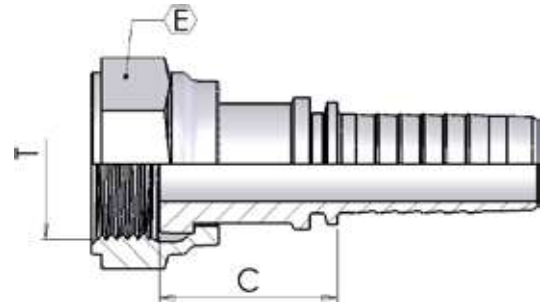
- with plug and O-Ring

Part number	Hose I.D.		Dimensions			
			dash	Thread	Cut-Off	Hex
			size	T	C	E
S350-04-06-BO	1/4	6.4	04	9/16-18	23	17
S350-04-09-BO	1/4	6.4	04	11/16-16	21	19
S350-05-09-BO	5/16	7.9	05	11/16-16	26	19
S350-06-09-BO	3/8	9.5	06	11/16-16	26	19
S350-06-11-BO	3/8	9.5	6	13/16-16	29	22
S350-08-11-BO	1/2	12.7	08	13/16-16	29	22
S350-08-13-BO	1/2	12.7	08	1-14	34	27
S350-08-14-BO	1/2	12.7	08	1.3/16-12	35	32
S350-10-13-BO	5/8	15.9	10	1-14	33	27
S350-10-14-BO	5/8	15.9	10	1.3/16-12	35	32
S350-12-14-BO	3/4	19	12	1.3/16-12	36	32
S350-12-15-BO	3/4	19	12	1.7/16-12	36	38
S350-16-15-BO	1	25.4	16	1.7/16-12	37	38
S350-16-21-BO	1	25.4	16	1.11/16-12	38	46
S350-20-21-BO	1.1/4	31.8	20	1.11/16-12	39	46



# S050

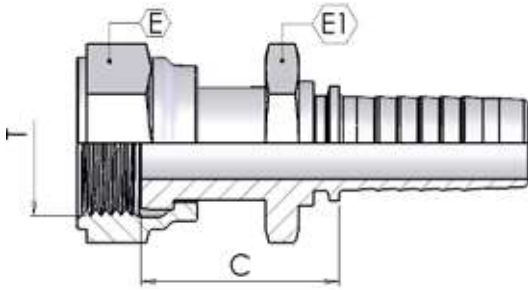
## ORFS Female



Part number	Hose I.D.		Dimensions			
			dash	Thread	Cut-Off	Hex
	in	mm	size	T	C	E
S050-04-06	1/4	6.4	04	9/16-18	25	19
S050-04-09	1/4	6.4	04	11/16-16	29	22
S050-05-09	5/16	7.9	05	11/16-16	29	22
S050-06-09	3/8	9.5	06	11/16-16	29	22
S050-06-11	3/8	9.5	06	13/16-16	30	24
S050-08-11	1/2	12.7	08	13/16-16	32	24
S050-08-13	1/2	12.7	08	1-14	35	30
S050-08-14	1/2	12.7	08	1.3/16-12	37	36
S050-10-13	5/8	15.9	10	1-14	35	30
S050-10-14	5/8	15.9	10	1.3/16-12	34	36
S050-12-13	3/4	19	12	1-14	37	30
S050-12-14	3/4	19	12	1.3/16-12	35	36
S050-12-15	3/4	19	12	1.7/16-12	41	41
S050-16-15	1	25.4	16	1.7/16-12	39	41
S050-20-21	1.1/4	31.8	20	1.11/16-12	40	50
S050-24-32	1.1/2	38.1	24	2-12	41	60

# S05T

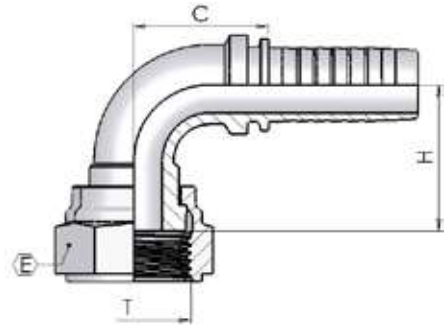
## ORFS Female Back Hexagon



Part number	Hose I.D.		Dimensions				
			dash	Thread	Cut-Off	Hex	
	in	mm	size	T	C	E	E1
S05T-04-06	1/4	6.4	04	9/16-18	30	17	15
S05T-06-09	3/8	9.5	06	11/16-16	34	22	17
S05T-08-11	1/2	12.7	08	13/16-16	37	24	19
S05T-10-13	5/8	15.9	10	1-14	41	30	24
S05T-12-14	3/4	19	12	1.3/16-12	42	36	30
S05T-16-15	1	25.4	16	1.7/16-12	50	41	36

# S150

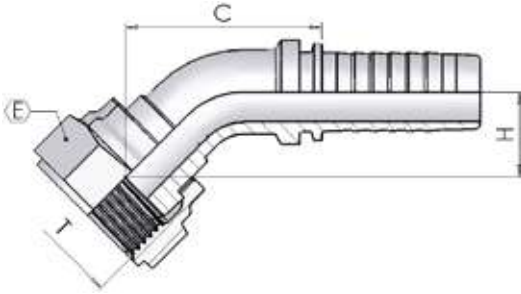
## ORFS 90° Swept Elbow



Part number	Hose I.D.		Dimensions				
			dash	Thread	Cut-Off	Hex	Drop
	in	mm	size	T	C	E	H
S150-04-06	1/4	6.4	04	9/16-18	25	19	26
S150-04-09	1/4	6.4	04	11/16-16	25	22	23
S150-05-09	5/16	7.9	05	11/16-16	29	22	32
S150-06-09	3/8	9.5	06	11/16-16	33	22	33
S150-06-11	3/8	9.5	06	13/16-16	33	24	32
S150-08-11	1/2	12.7	08	13/16-16	39	24	36
S150-08-13	1/2	12.7	08	1-14	39	30	40
S150-08-14	1/2	12.7	08	1.3/16-12	42	36	39
S150-10-13	5/8	15.9	10	1-14	47	30	39
S150-10-14	5/8	15.9	10	1.3/16-12	42	36	39
S150-12-13	3/4	19	12	1-14	42	30	39
S150-12-14	3/4	19	12	1.3/16-12	57	36	49
S150-12-15	3/4	19	12	1.7/16-12	56	41	51
S150-16-15	1	25.4	16	1.7/16-12	67	41	62
S150-16-21	1	25.4	20	1.11/16-12	62	50	58
S150-20-21	1.1/4	31.8	20	1.11/16-12	63	50	58
S150-24-32	1.1/2	38.1	24	2-12	80	60	73

# S250

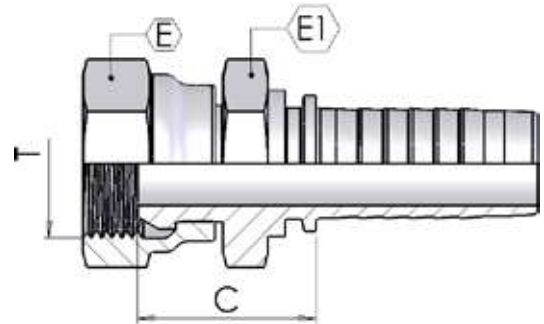
## ORFS 45° Swept Elbow



Part number	Hose I.D.		Dimensions				
			dash	Thread	Cut-Off	Hex	Drop
	in	mm	size	T	C	E	H
S250-04-06	1/4	6.4	04	9/16-18	40	19	14
S250-04-09	1/4	6.4	04	11/16-16	38	22	14
S250-05-09	5/16	7.9	05	11/16-16	44	22	14
S250-06-09	3/8	9.5	06	11/16-16	52	22	17
S250-06-11	3/8	9.5	06	13/16-16	51	24	18
S250-08-11	1/2	12.7	08	13/16-16	62	24	20
S250-08-13	1/2	12.7	08	1-14	64	30	23
S250-08-14	1/2	12.7	08	1.3/16-12	62	36	23
S250-10-13	5/8	15.9	10	1-14	67	30	22
S250-10-14	5/8	15.9	10	1.3/16-12	44	36	18
S250-12-13	3/4	19	12	1-14	40	30	15
S250-12-14	3/4	19	12	1.3/16-12	84	36	23
S250-12-15	3/4	19	12	1.7/16-12	84	41	26
S250-16-15	1	25.4	16	1.7/16-12	100	41	31
S250-20-21	1.1/4	31.8	20	1.11/16-12	125	50	44
S250-24-32	1.1/2	38.1	24	2-12	78	60	29

# 0920

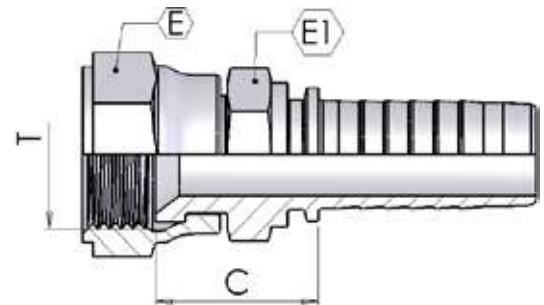
## JIS Female 60° cone (Nissan)



Part number	Hose I.D.		Dimensions				
			dash size	Thread T	Cut-Off C	Hex E	E1
0920-04-04	1/4	6.4	04	1/4-19	23	19	19
0920-06-06	3/8	9.5	06	3/8-19	28	22	22
0920-08-08	1/2	12.7	08	1/2-14	27	27	27
0920-12-12	3/4	19	12	3/4-14	29	32	32
0920-16-16	1	25.4	16	1-11	31	38	38

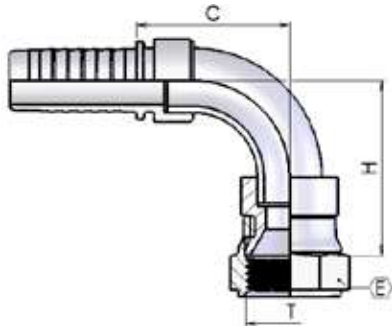
# 0930

## JIS Female 60° cone (Toyota)



Part number	Hose I.D.		Dimensions				
			dash size	Thread T	Cut-Off C	Hex E	E1
0930-04-04	1/4	6.4	04	1/4-19	20	19	17
0930-06-06	3/8	9.5	06	3/8-19	22	22	19
0930-08-08	1/2	12.7	08	1/2-14	26	27	22
0930-12-12	3/4	19	12	3/4-14	29	32	30
0930-16-16	1	25.4	16	1-11	31	38	36
0930-20-20	1,1/4	31.8	20	1,1/4-11	35	50	46
0930-24-24	1,1/2	38.1	24	1,1/2-11	28	55	50

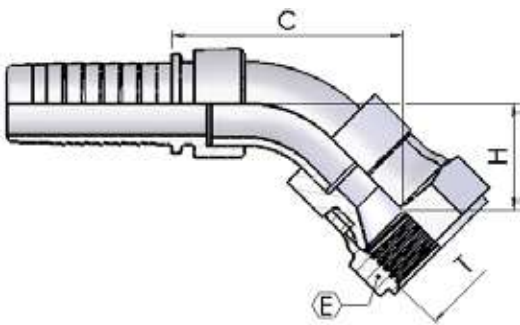
## 0980S



### 90° JIS Swept Elbow (Toyota) - welded

Part number	Hose I.D.		Dimensions				
			dash	Thread	Cut-Off	Hex	Drop
	in	mm	size	T	C	E	H
0980S04-04	1/4	6.4	04	1/4-19	38	19	35
0980S06-06	3/8	9.5	06	3/8-19	27	22	30
0980S08-08	1/2	12.7	08	1/2-14	33	27	39
0980S12-12	3/4	19	12	3/4-14	48	32	55
0980S16-16	1	25.4	16	1-11	57	38	62
0980S20-20	1,1/4	31.8	20	1,1/4-11	63	50	65
0980S24-24	1,1/2	38.1	24	1,1/2-11	80	55	83

## 1030S

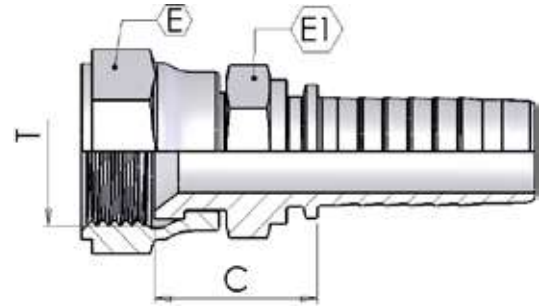


### 45° JIS Swept Elbow (Toyota) - welded

Part number	Hose I.D.		Dimensions				
			dash	Thread	Cut-Off	Hex	Drop
	in	mm	size	T	C	E	H
1030S04-04	1/4	6.4	04	1/4-19	44	19	18
1030S05-06	5/16	7.9	05	3/8-19	38	22	18
1030S06-06	3/8	9.5	06	3/8-19	38	22	18
1030S08-08	1/2	12.7	08	1/2-14	40	27	20
1030S12-12	3/4	19	12	3/4-14	56	32	26
1030S16-16	1	25.4	16	1-11	72	38	33
1030S20-20	1,1/4	31.8	20	1,1/4-11	67	50	29
1030S24-24	1,1/2	38.1	24	1,1/2-11	85	55	36

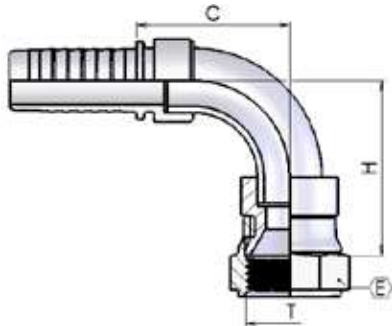
# 0940

## JIS Female 60° Cone (Komatsu)



Part number	Hose I.D.		Dimensions				
			dash	Thread	Cut-Off	Hex	
	in	mm	size	T	C	E	E1
0940-04-14	1/4	6.4	04	M14x1,5	22	19	17
0940-05-16	5/16	7.9	05	M16x1,5	22	22	17
0940-06-14	3/8	9.5	06	M14x1,5	22	19	17
0940-06-18	3/8	9.5	06	M18x1,5	21	24	19
0940-08-22	1/2	12.7	08	M22x1,5	27	27	22
0940-10-24	5/8	15.9	10	M24x1,5	26	30	27
0940-12-30	3/4	19	12	M30x1,5	30	36	30
0940-16-33	1	25.4	16	M33x1,5	33	41	36
0940-20-36	1.1/4	31.8	20	M36x1,5	37	46	46
0940-24-42	1.1/2	38.1	24	M42x1,5	38	50	50

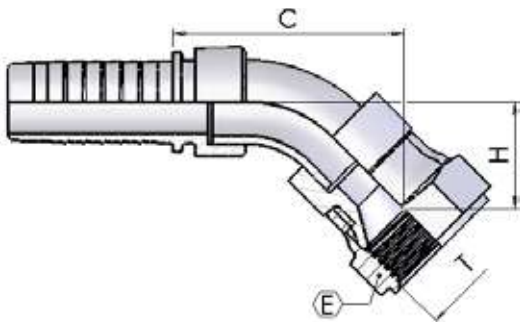
# 0990S



## 90° JIS Swept Elbow (Komatsu) - welded

Part number	Hose I.D.		Dimensions				
			dash	Thread	Cut-Off	Hex	Drop
	in	mm	size	T	C	E	H
0990S04-14	1/4	6.4	04	M14x1,5	38	19	35
0990S05-16	5/16	7.9	05	M16x1,5	27	22	30
0990S06-14	3/8	9.5	06	M14x1,5	31	19	33
0990S06-18	3/8	9.5	06	M18x1,5	31	24	33
0990S08-22	1/2	12.7	08	M22x1,5	33	27	39
0990S10-24	5/8	15.9	10	M24x1,5	42	30	48
0990S12-30	3/4	19	12	M30x1,5	48	36	43
0990S16-33	1	25.4	16	M33x1,5	57	41	62

# 1040S



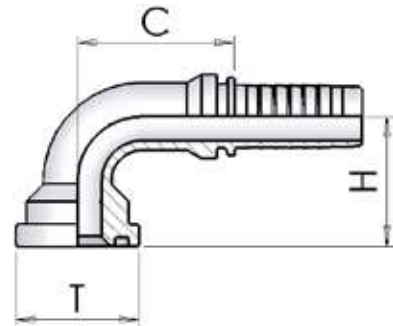
## 45° JIS Swept Elbow (Komatsu) - welded

Part number	Hose I.D.		Dimensions				
			dash	Thread	Cut-Off	Hex	Drop
	in	mm	size	T	C	E	H
1040S-04-14	1/4	6.4	04	M14-1.5	44	19	18
1040S05-16	5/16	7.9	05	M16-1.5	38	22	18
1040S06-14	3/8	9.5	06	M14-1.5	41	19	18
1040S06-18	3/8	9.5	06	M18-1.5	43	24	18
1040S08-22	1/2	12.7	08	M22-1.5	40	27	20
1040S10-24	5/8	15.9	10	M24-1.5	50	30	26
1040S12-30	3/4	19	12	M30-1.5	56	36	26
1040S16-33	1	25.4	16	M33-1.5	65	41	33



# 1050

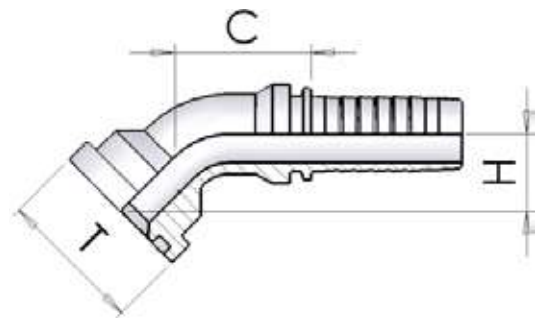
## Komatsu Flange 90°



Part number	Hose I.D.	Dimensions			
		dash size	Flange		Cut-Off C
			T	mm	
1050-10-10	5/8 in	10	5/8	34	58

# 1150

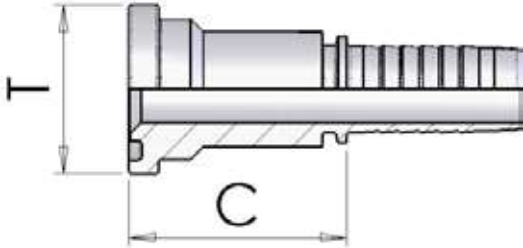
## Komatsu Flange 45°



Part number	Hose I.D.	Dimensions			
		dash size	Flange		Cut-Off C
			T	mm	
1150-10-10	5/8 in	10	5/8	34	23

# 1250

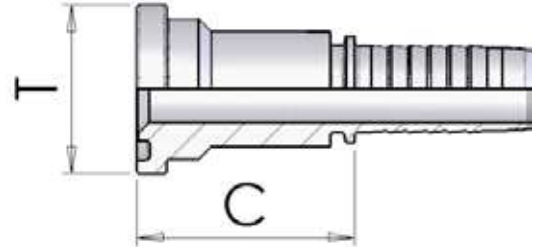
## Komatsu Flange - Straight



Part number	Hose I.D.	Dimensions			
		dash size	Flange		Cut-Off
	in		T	mm	C
1250-10-10	5/8	10	5/8	34	56

# 1260

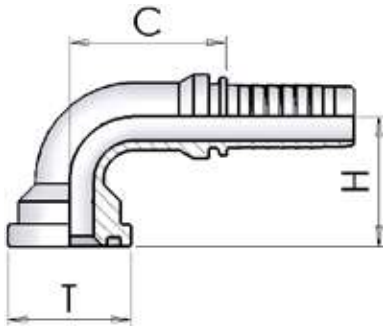
## Straight SAE Flange 3000 PSI



Part number	Hose I.D.	Dimensions			
		dash size	Flange		Cut-Off C
			T	mm	
	in				
1260-08-08	1/2	08	1/2	30,2	45
1260-08-12	1/2	08	3/4	38.1	50
1260-10-08	5/8	10	1/2	30,2	45
1260-10-12	5/8	10	3/4	38.1	49
1260-12-12	3/4	12	3/4	38.1	50
1260-12-16	3/4	12	1	44.5	53
1260-16-16	1	16	1	44.5	54
1260-16-20	1	16	1.1/4	50.8	57
1260-20-20	1.1/4	20	1.1/4	50.8	59
1260-20-24	1.1/4	20	1.1/2	60.3	62
1260-24-24	1.1/2	24	1.1/2	60.3	62
1260-24-32	1.1/2	24	2	71.4	67
1260-32-32	2	32	2	71.4	68
1260-32-40	2	32	2.1/2	84.1	76
1260-40-40	2.1/2	40	2.1/2	84	76
1260-48-48	3	48	3	102	63

# 1060

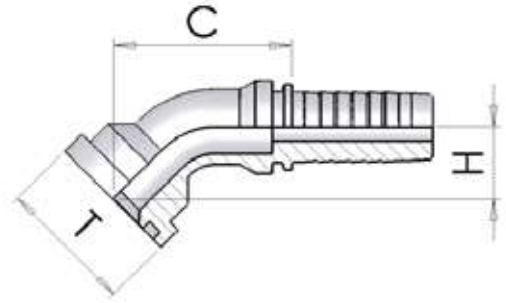
## 90° SAE Flange 3000 PSI



Part number	Hose I.D.	Dimensions			
		dash	Flange		Cut-Off
		size	T	mm	C
1060-08-08	1/2	08	1/2	30,2	39
1060-08-12	1/2	08	3/4	38.1	39
1060-10-08	5/8	10	1/2	30,2	45
1060-10-12	5/8	10	3/4	38.1	45
1060-12-12	3/4	12	3/4	38.1	56
1060-12-16	3/4	12	1	44.5	56
1060-16-16	1	16	1	44.5	70
1060-16-20	1	16	1.1/4	50.8	70
1060-16-24	1	16	1.1/2	60.3	72
1060-20-16	1.1/4	20	1	44.5	81
1060-20-20	1.1/4	20	1.1/4	50.8	86
1060-20-24	1.1/4	20	1.1/2	60.3	85
1060-24-24	1.1/2	24	1.1/2	60.3	98
1060-24-32	1.1/2	24	2	71.4	93
1060-32-32	2	32	2	71.4	123

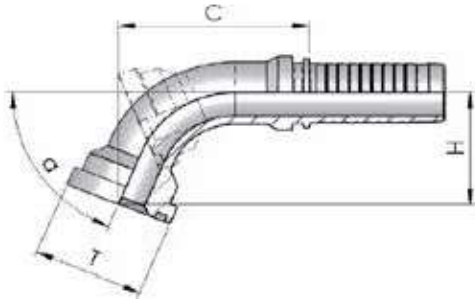
# 1160

## 45° SAE Flange 3000 PSI



Part number	Hose I.D.	Dimensions				
		dash	Flange		Cut-Off	Drop
		size	T	mm	C	H
1160-08-08	1/2	08	1/2	30.2	62	22
1160-08-12	1/2	08	3/4	38.1	67	25
1160-12-12	3/4	12	3/4	38.1	69	27
1160-12-16	3/4	12	1	44.5	88	30
1160-16-16	1	16	1	44.5	82	33
1160-20-20	1.1/4	20	1.1/4	50.8	102	38
1160-20-24	1.1/4	20	1.1/2	60.3	129	39
1160-24-24	1.1/2	24	1.1/2	60.3	114	44
1160-24-32	1.1/2	24	2	71.4	148	47
1160-32-32	2	32	2	71.4	130	58

# 1060\_



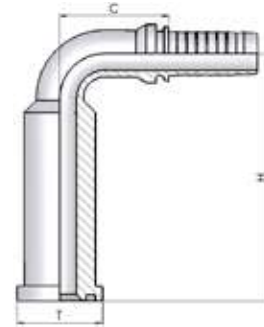
## 22.5°/30°/60°/67.5° SAE Flange 3000 PSI

Flangia 22.5°/30°/60°/67.5° SAE 3000  
PSI

Part number	Hose I.D.	Dimensions			
		dash	Flange		Cut-Off
	in	size	T	mm	C
1060-12-12 22.5	3/4	12	3/4	38.1	76
1060-16-16 22.5	1	16	1	44.5	89
1060-20-20 22.5	1.1/4	20	1.1/4	50.8	111
1060-24-24 22.5	1.1/2	24	1.1/2	60.3	124
1060-32-32 22.5	2	32	2	71.4	144
1060-12-12 30	3/4	12	3/4	38.1	75
1060-16-16 30	1	16	1	44.5	87
1060-20-20 30	1.1/4	20	1.1/4	50.8	109
1060-24-24 30	1.1/2	24	1.1/2	60.3	122
1060-32-32 30	2	32	2	71.4	142
1060-12-12 60	3/4	12	3/4	38.1	76
1060-16-16 60	1	16	1	44.5	95
1060-20-20 60	1.1/4	20	1.1/4	50.8	116
1060-24-24 60	1.1/2	24	1.1/2	60.3	138
1060-32-32 60	2	32	2	71.4	170
1060-12-12 67.5	3/4	12	3/4	38.1	72
1060-16-16 67.5	1	16	1	44.5	91
1060-20-20 67.5	1.1/4	20	1.1/4	50.8	110
1060-24-24 67.5	1.1/2	24	1.1/2	60.3	131
1060-32-32 67.5	2	32	2	71.4	158

# FS3L

## 90° SAE Flange 3000 Psi - Long Drop

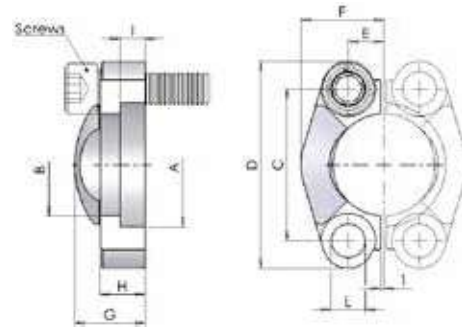


Part number	Hose I.D.	Dimensions			
		dash size	Flange		Cut-Off C
			T	mm	
FS3L-08-08	1/2	08	1/2	30.2	39
FS3L-12-12	3/4	12	3/8	38.1	56
FS3L-16-16	1	16	1	44.5	70
FS3L-20-20	1.1/4	20	1.1/4	50.8	85
FS3L-24-24	1.1/2	24	1.1/2	60.3	99

# S003

## Cut Split Flanges - 3000 psi

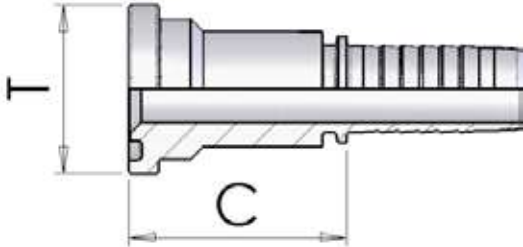
This product is sold in pairs



Part number	Dimensions										
	A	B	C	D	Hex					Drop H	Sae SIZE
					E	F	G	I	L		
S003-08	30.96	24.3	38.1	54	8.7	22.8	19	6.2	88	13	1/2"
S003-12	38.89	32.1	47.6	65	11.1	25.9	22	6.2	108	14	3/4"
S003-16	45.24	38.5	52.4	70	13.1	29.2	24	7.5	108	16	1"
S003-20	51.59	43.7	58.7	79	15.1	36.3	22	7.5	12	14	1.1/4"
S003-24	61.09	50.8	69.9	94	17.9	41.1	25	7.5	135	16	1.1/2"
S003-32	72.24	62.7	77.8	102	21.4	48.2	26	9	135	16	2"
S003-40	84.94	74.9	88.9	114	25.4	54.1	38	9	135	19	2.1/2"
S003-48	102.4	90.9	106.4	135	31	65.3	41	9	17	22	3"

# 1310

## Straight SAE Flange 6000 PSI

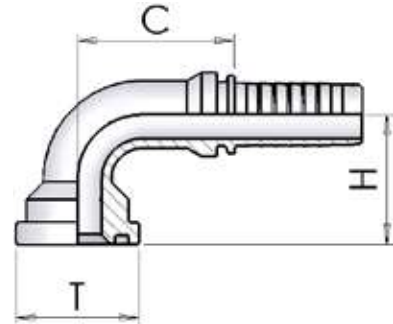


Part number	Hose I.D.	Dimensions			
		dash	Flange		Cut-Off
	in	size	T	mm	C
1310-08-08	1/2	08	1/2	31,8	46
1310-08-12	1/2	08	3/4	41.3	53
1310-10-08	5/8	10	1/2	31,8	46
1310-10-12	5/8	10	3/4	41.3	53
1310-10-16	5/8	10	1	47.6	59
1310-12-12	3/4	12	3/4	41.3	54
1310-12-16	3/4	12	1	47.6	60
1310-16-12	1	16	3/4	41.3	55
1310-16-16	1	16	1	47.6	61
1310-16-20	1	16	1.1/4	54	68
1310-20-20	1.1/4	20	1.1/4	54	70
1310-20-24	1.1/4	20	1.1/2	63.5	76
1310-24-24	1.1/2	24	1.1/2	63.5	76
1310-24-32	1.1/2	24	2	79.4	85
1310-32-32	2	32	2	79.4	85



# 1110

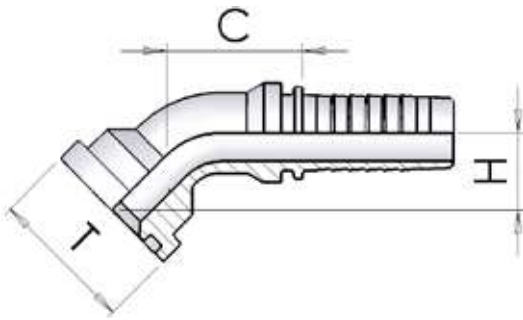
## 90° SAE Flange 6000 PSI



Part number	Hose I.D.	Dimensions			
		dash size	Flange		Cut-Off C
			T	mm	
	in				
1110-08-08	1/2	08	1/2	31.8	39
1110-08-12	1/2	08	3/4	41.3	39
1110-10-08	5/8	10	1/2	31.8	45
1110-10-12	5/8	10	3/4	41.3	44
1110-10-16	5/8	10	1	47.6	45
1110-12-08	3/4	12	1/2	32	56
1110-12-12	3/4	12	3/4	41.3	56
1110-12-16	3/4	12	1	47.6	56
1110-16-12	1	16	3/4	41.3	68
1110-16-16	1	16	1	47.6	70
1110-16-20	1	16	1.1/4	54	71
1110-20-20	1.1/4	20	1.1/4	54	97
1110-20-24	1.1/4	20	1.1/2	63.5	97
1110-24-24	1.1/2	24	1.1/2	63.5	102
1110-24-32	1.1/2	24	2	79.4	103
1110-32-32	2	32	2	79.4	125

# 1210

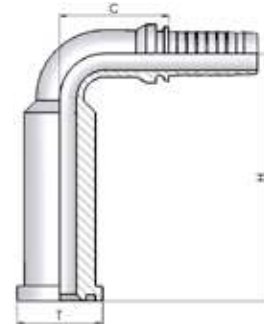
## 45° SAE Flange 6000 PSI



Part number	Hose I.D.	Dimensions			
		dash	Flange		Cut-Off
	in	size	T	mm	C
1210-08-08	1/2	08	1/2	31.8	62
1210-08-12	1/2	08	3/4	41.3	69
1210-10-08	5/8	10	1/2	31.8	66
1210-10-12	5/8	10	3/4	41.3	75
1210-10-16	5/8	10	1	47.6	77
1210-12-12	3/4	12	3/4	41.3	74
1210-12-16	3/4	12	1	47.6	90
1210-16-12	1	16	3/4	41.3	101
1210-16-16	1	16	1	47.6	86
1210-16-20	1	16	1.1/4	54	112
1210-20-20	1.1/4	20	1.1/4	54	107
1210-20-24	1.1/4	20	1.1/2	63.5	149
1210-24-24	1.1/2	24	1.1/2	63.5	122
1210-24-32	1.1/2	24	2	79.4	163
1210-32-32	2	32	2	79.4	145

# FS6L

## 90° SAE Flange 6000 Psi - Long Drop

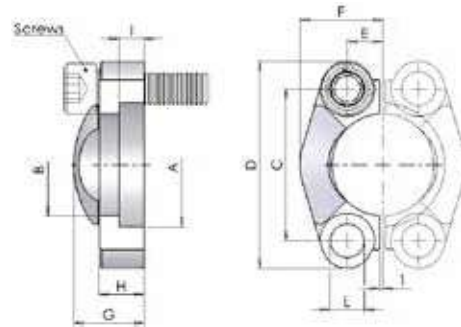


Part number	Hose I.D.	Dimensions			
		dash size	Flange		Cut-Off C
			T	mm	
FS6L-08-08	1/2	08	1/2	32	40
FS6L-12-12	3/4	12	3/4	41.3	56
FS6L-16-16	1	16	1	47.6	70
FS6L-20-20	1.1/4	20	1.1/4	54	82
FS6L-24-24	1.1/2	24	1.1/2	63.5	99

# S006

## Cut Split Flanges - 6000 psi

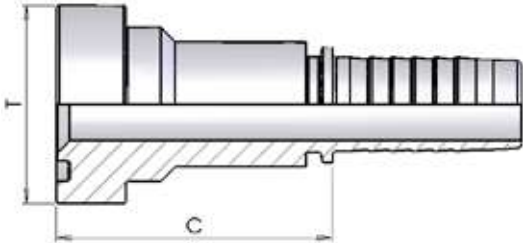
This product is sold in pairs



Part number	Dimensions											
	Hex										Drop H	Sae SIZE
	A	B	C	D	E	F	G	I	L			
S006-08	32.54	24.6	40.5	56	9.1	23.6	22	7.2	88	16	1/2"	
S006-12	42.06	32.5	50.8	71	11.9	30	28	8.3	11	19	3/4"	
S006-16	48.41	38.9	57.2	81	13.9	34.8	33	9	13	24	1"	
S006-20	54.76	44.5	66.7	95	15.9	38.6	38	9.8	15	27	1"1/4	
S006-24	64.29	51.6	79.4	113	18.3	47.5	43	12.1	17	30	1"1/2	
S006-32	80.16	67.6	96.8	133	22.2	56.9	52	12.1	21	37	2"	

# 130S

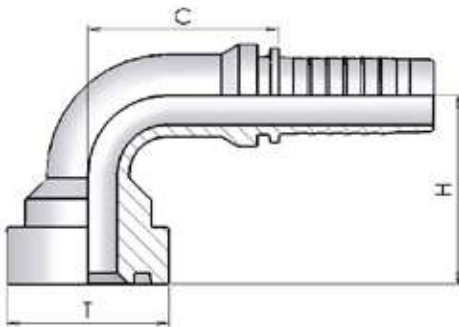
## Straight 'CAT' Flange



Part number	Hose I.D.		Dimensions			
			dash size	Flange		Cut-Off C
				T	mm	
130S-12-12	3/4	19	12	3/4	41.3	58
130S-12-16	3/4	19	12	1	47.6	64
130S-16-16	1	25.4	16	1	47.6	65
130S-16-20	1	25.4	16	1.1/4	54	73
130S-20-20	1.1/4	31.8	20	1.1/4	54	74
130S-20-24	1.1/4	31.8	20	1.1/2	63.5	78
130S-24-24	1.1/2	38.1	24	1.1/2	63.5	80

# 110S

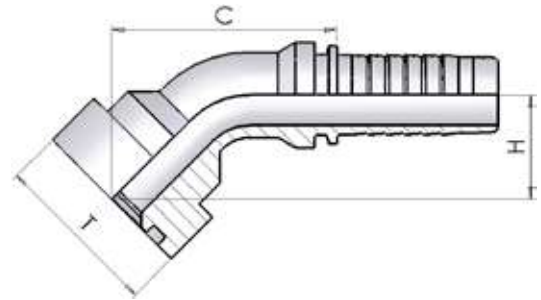
## 90° 'CAT' Flange



Part number	Hose I.D.		Dimensions				
			dash size	Flange		Cut-Off C	Drop H
				T	mm		
110S-12-12	3/4	19	12	3/4	41.3	56	62
110S-12-16	3/4	19	12	1	47.6	56	65
110S-16-16	1	25.4	16	1	47.6	78	74
110S-16-20	1	25.4	16	1.1/4	54	78	80
110S-20-20	1.1/4	31.8	20	1.1/4	54	97	90
110S-20-24	1.1/4	31.8	20	1.1/2	63.5	96	95
110S-24-24	1.1/2	38.1	24	1.1/2	63.5	115	104

# 120S

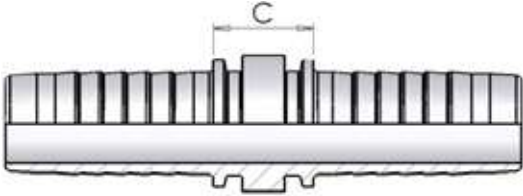
## 45° 'CAT' Flange



Part number	Hose I.D.		Dimensions				
			dash	Flange		Cut-Off	Drop
	in	mm	size	T	mm	C	H
120S-12-12	3/4	19	12	3/4	41.3	88	32
120S-12-16	3/4	19	12	1	47.6	93	37
120S-16-16	1	25.4	16	1	47.6	118	40
120S-16-20	1	25.4	16	1.1/4	54	122	44
120S-20-20	1.1/4	31.8	20	1.1/4	54	146	44
120S-20-24	1.1/4	31.8	20	1.1/2	63.5	149	48
120S-24-24	1.1/2	38.1	24	1.1/2	63.5	172	52

# D050

## Hose Junction

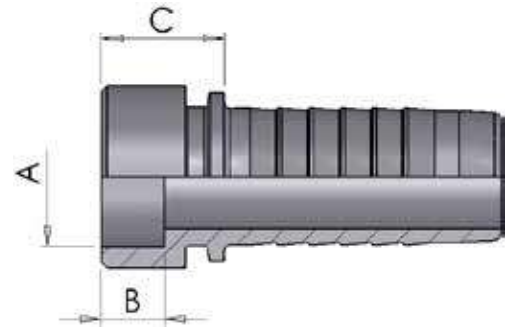


Part number	Hose I.D.		Dimensions	
			dash	Cut-Off
	in	mm	size	C
D050-03	3/16	4.8	03	17
D050-04	1/4	6.4	04	17
D050-05	5/16	7.9	05	17
D050-06	3/8	9.5	06	17
D050-08	1/2	12.7	08	18
D050-10	5/8	15.9	10	18
D050-12	3/4	19	12	19
D050-16	1	25.4	16	21
D050-20	1.1/4	31.8	20	24
D050-24	1.1/2	38.1	24	24
D050-32	2	50.8	32	26

# GS00

## Weldable Fitting

without zinc plating



Part number	Hose I.D.		Dimensions			
			dash	Cut-Off		
	in	mm	size	C	A	B
GS00-03-06	3/16	4,8	03	12	06	6
GS00-03-08	3/16	4,8	03	12	08	6
GS00-04-06	1/4	6.4	04	14	06	6
GS00-04-08	1/4	6.4	04	14	08	6
GS00-04-10	1/4	6.4	04	15	10	6
GS00-04-12	1/4	6.4	04	17	12	7
GS00-05-08	5/16	7,9	05	14	08	6
GS00-05-10	5/16	7,9	05	14	10	6
GS00-05-12	5/16	7,9	05	14	12	6
GS00-06-06	3/8	9.5	06	15	06	6
GS00-06-08	3/8	9.5	06	15	08	6
GS00-06-10	3/8	9.5	06	14	10	6
GS00-06-12	3/8	9.5	06	15	12	7
GS00-06-14	3/8	9.5	06	15	14	8
GS00-06-15	3/8	9.5	06	14	15	7
GS00-08-12	1/2	12.7	08	15	12	7
GS00-08-14	1/2	12.7	08	15	14	8
GS00-08-15	1/2	12.7	08	15	15	7
GS00-08-16	1/2	12.7	08	15	16	7
GS00-08-18	1/2	12.7	08	15	18	7
GS00-08-20	1/2	12.7	08	18	20	9
GS00-10-12	5/8	15.9	10	15	12	7
GS00-10-16	5/8	15.9	10	16	16	8
GS00-10-18	5/8	15.9	10	16	18	8
GS00-10-20	5/8	15.9	10	18	20	9
GS00-10-22	5/8	15.9	10	18	22	9
GS00-12-16	3/4	19	12	16	16	8
GS00-12-18	3/4	19	12	16	18	8
GS00-12-20	3/4	19	12	18	20	9
GS00-12-22	3/4	19	12	18	22	9
GS00-12-25	3/4	19	12	19	25	9
GS00-12-32	3/4	19	12	20	32	9
GS00-16-25	1	25.4	16	19	25	9
GS00-16-28	1	25.4	16	20	28	9
GS00-16-30	1	25.4	16	20	30	9
GS00-16-32	1	25.4	16	20	32	9
GS00-16-38	1	25.4	16	26	38	11
GS00-20-30	1.1/4	31.8	20	21	30	9
GS00-20-32	1.1/4	31.8	20	21	32	9
GS00-20-35	1.1/4	31.8	20	23	35	11
GS00-20-38	1.1/4	31.8	20	24	38	11
GS00-24-32	1.1/2	38.1	24	23	32	9
GS00-24-38	1.1/2	38.1	24	23	38	11
GS00-24-42	1.1/2	38.1	24	23	42	10
GS00-24-50	1.1/2	38.1	24	23	50	10
GS00-32-50	2	50.8	32	23	50	10